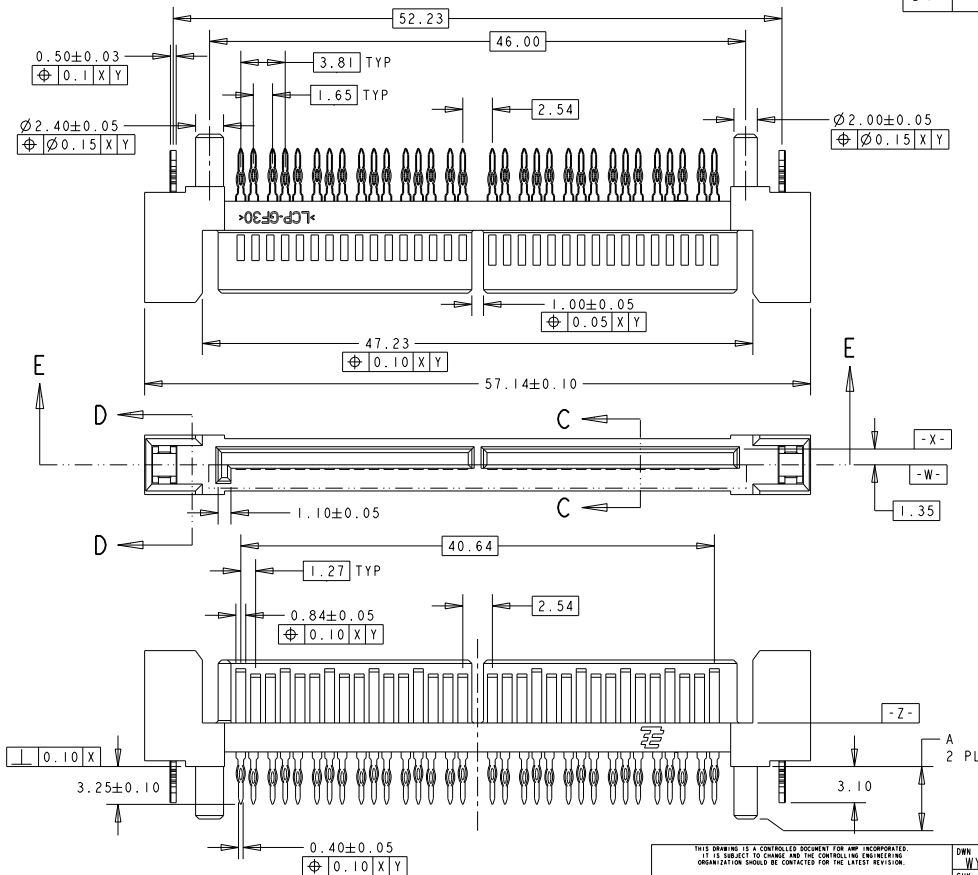


THIS DRAWING IS UNPUBLISHED. RELEASED FOR PUBLICATION .19
 COPYRIGHT 19 BY AMP INCORPORATED. ALL RIGHTS RESERVED.

LOC	DY	DIST	-	REVISIONS			
P	LTR	DESCRIPTION	DATE	DWN	APVD		
	D	REVISED ECR-10-017381	20AUG10	JC	TAP		



NOTES:

- 1 MATERIAL
 HOUSING: HIGH TEMPERATURE THERMOPLASTIC GLASS FILLED,
 BLACK, UL94V-0, REGRIND 25% MAXIMUM
 CONTACT: COPPER ALLOY
 BOARDLOCK: COPPER ALLOY
- 2 FINISH
 CONTACT: 0.76um MIN GOLD ON MATING AREA AND
 1.91um MIN TIN ON SOLDER AREA,
 BOTH OVER 1.27um MIN NICKEL
 BOARDLOCK: 2.54um MIN TIN OVER 1.27um MIN NICKEL

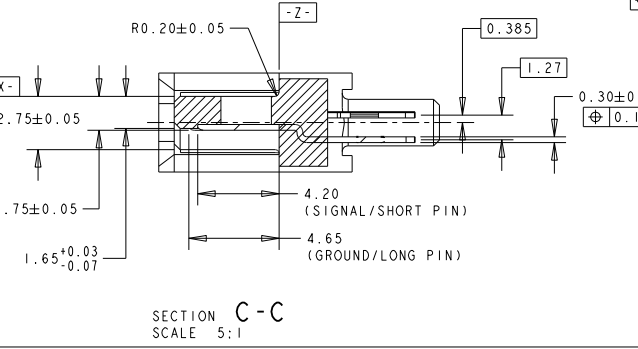
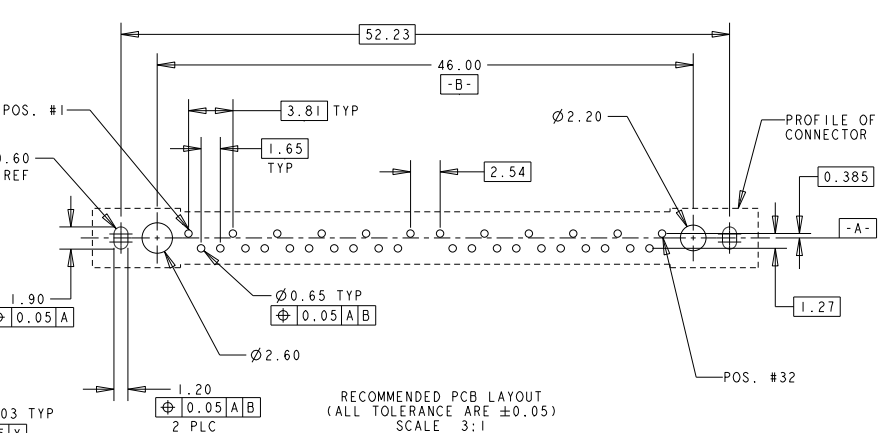
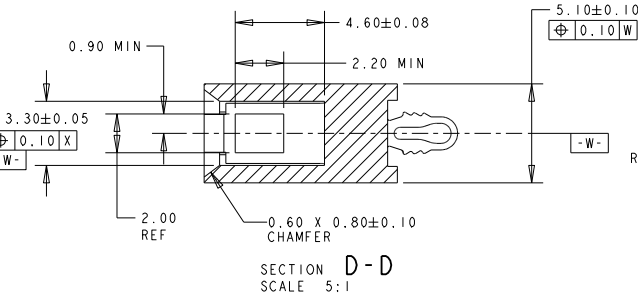
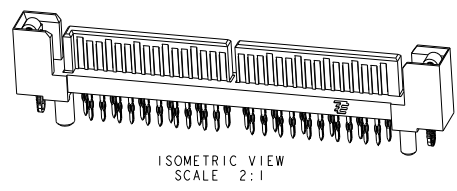
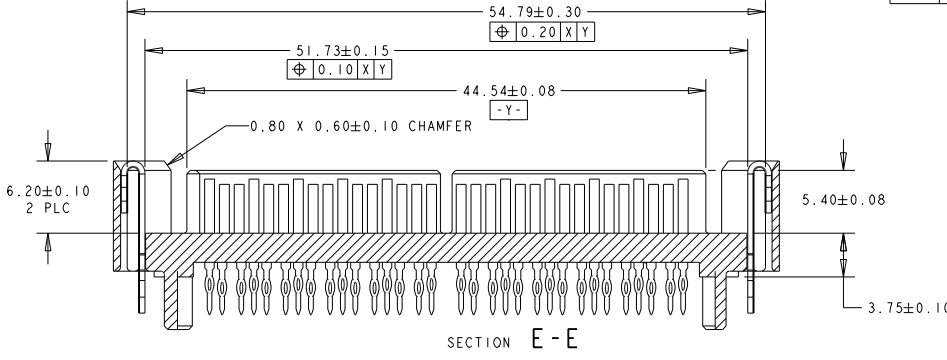
3.60	84979-2
4.50	84979-1
DIMENSION A	PART NO.

THIS DRAWING IS A CONTROLLED DOCUMENT FOR AMP INCORPORATED. IT IS SUBJECT TO CHANGE AND THE CONTROLLING ENGINEERING ORGANIZATION SHOULD BE CONTACTED FOR THE LATEST REVISION.		DWN	WYLF	60CT04	Tyco Electronics Singapore Pte. Ltd.
DIMENSIONS: mm		CHK	AP TAY	APVD	
TOLERANCES UNLESS OTHERWISE SPECIFIED:		NAME	CONNECTOR, SAS 4i AND INTERNAL 4 LANE SATA PLUG, VERTICAL PRESSFIT		
0 PLC	±	PRODUCT SPEC	SIZE	CAGE CODE	DRAWING NO
1 PLC	±0.15	APPLICATION SPEC	A3	00779	C-84979
2 PLC	±0.15	WEIGHT	SCALE 3:1 SHEET 1 OF 2 REV D		
3 PLC	±0.15	CUSTOMER DRAWING			
4 PLC	±				
ANGLES	±°				
MATERIAL	1				
	2				

AMP 1470-19 REV 09MAY94

THIS DRAWING IS UNPUBLISHED. RELEASED FOR PUBLICATION .19
 © COPYRIGHT 19 BY AMP INCORPORATED. ALL RIGHTS RESERVED.

LOC	DIST	REVISIONS			
P	LTR	DESCRIPTION	DATE	DWN	APVD
DY	-	SEE SHEET 1			



<small>THIS DRAWING IS A CONTROLLED DOCUMENT FOR AMP INCORPORATED. IT IS SUBJECT TO CHANGE AND THE CONTROLLING ENGINEERING ORGANIZATION SHOULD BE CONTACTED FOR THE LATEST REVISION.</small>		DWN WYLEE	60CT04	Tyco Electronics Singapore Pte. Ltd.	
DIMENSIONS: mm		CHK AP TAY		NAME CONNECTOR, SAS 4i AND INTERNAL 4 LANE SATA PLUG, VERTICAL PRESSFIT	
TOLERANCES UNLESS OTHERWISE SPECIFIED: 0 PLC ± 1 PLC ±0.15 2 PLC ±0.15 3 PLC ±0.15 4 PLC ± ANGLES ±°		APVD SF LEONG		SIZE A3	CAGE CODE 00779
MATERIAL 		PRODUCT SPEC -		DRAWING NO 84979	
FINISH 		APPLICATION SPEC -		SCALE 3:1	SHEET 2 OF 2
		WEIGHT -		REV D	
		CUSTOMER DRAWING			

AMP 1470-19 REV 09MAY94