

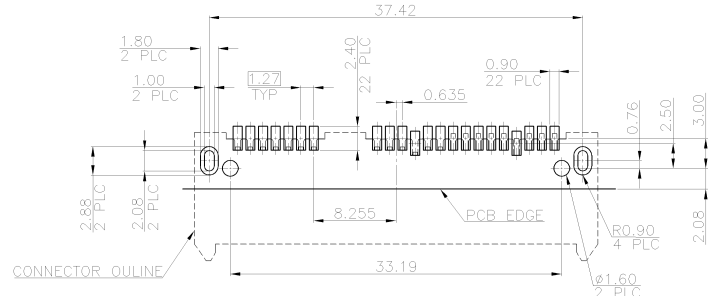
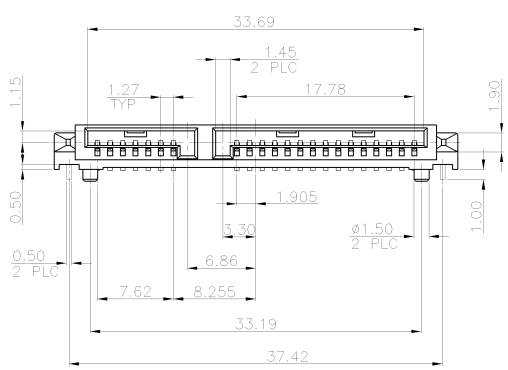
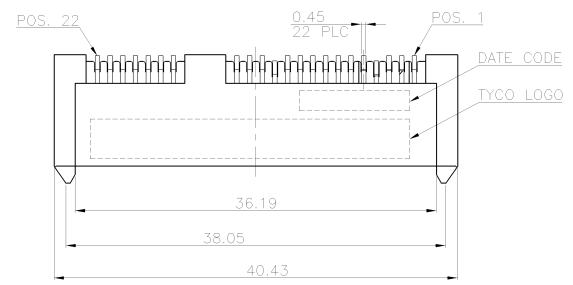
NUMBER
C-1775151

3RD ANGLE PROJECTION

METRIC

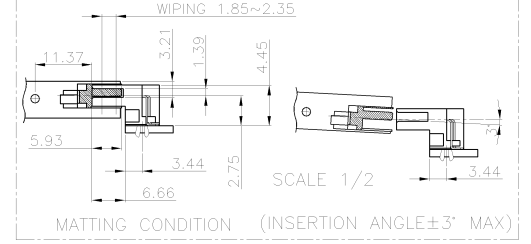
THIS INFORMATION IS CONFIDENTIAL AND IS DECIDED TO YOU ON CONDITION THAT NO FURTHER DISCLOSURE IS MADE BY YOU TO OTHER THAN AMP PERSONNEL WITHOUT DIMENSIONS IN MILLIMETERS. DO NOT SCALE PRINT.

PRINT DW



TOLERANCE: ±0.05, THICKNESS: 1.2mm
RECOMMENDED PCB LAYOUT

MATTING STATUS APPLICATION (REF.):
1. HARD DISK STRAIGHT INSERT SATA RECEPTACLE BOTTOM MOUNT
2. HARD DISK OPPOSITE INSERT SATA RECEPTACLE ABOVE BOARD



NOTE:

- MATERIAL:
HOUSING: LCP WITH 30% GF, UL 94V-0, BLACK COLOR.
CONTACTS: PHOSPHOR BRONZE.
BOARDLOCKS: BRASS.
- FINISH:
CONTACTS: (SEE TABLE) GOLD PLATED ON CONTACT AREA, 2.54µm [100µ"]
MIN. MATTE-TIN ON SOLDER TAIL, WITH ENTIRE CONTACT
UNDERPLATED 1.27µm [50µ"] MIN. NICKEL.
BOARDLOCKS: 1.27µm [50µ"] MIN. NICKEL.
- REFLOW SOLDER CAPABLE TO 260°C AS PER TYCO SPEC. 109-201,
CONDITION B.

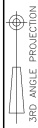
0.762µm [30µ"]	1775151-3
0.381µm [15µ"]	1775151-2
GOLD FLASH	1775151-1
MIN. GOLD THICKNESS	PART NUMBER

TOLERANCES UNLESS OTHERWISE SPECIFIED: 0 PLC ± 1 PLC ±0.3 2 PLC ±0.25 3 PLC ±0.2 ANGLES ±3°	DWN A. WU 01-AUG-2006 CHK S. HOU 01-AUG-2006	tyco Electronics NAME TYCO HOLDINGS (BERMUDA) VII LTD. TAIWAN BRANCH
MATERIAL SEE NOTE	APVD W.J. KE 01-AUG-2006 PRODUCT SPEC 108-57564	SERIAL ATA CONNECTOR, 22 POSN 2.70 CL, RCPT. SMT, BOTTOM MOUNT
FINISH SEE NOTE	QUALIFICATION TEST REPORT 501-57654 WEIGHT 1.88 GRAMS	LOC DW SCALE A ₃ DRAWING NO C-1775151 REV A SHEET 1 OF 2

A	FIRST RELEASED	--	AW	01AUG 2006
LTR	REVISION RECORD	ECN	DWN	CHK DATE

8 | 7 | 6 | 5 | 4 | 3 | 2 | 1
CUSTOMER DRAWING

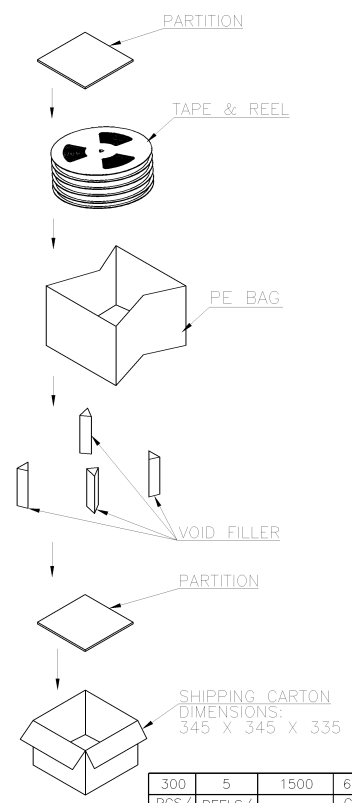
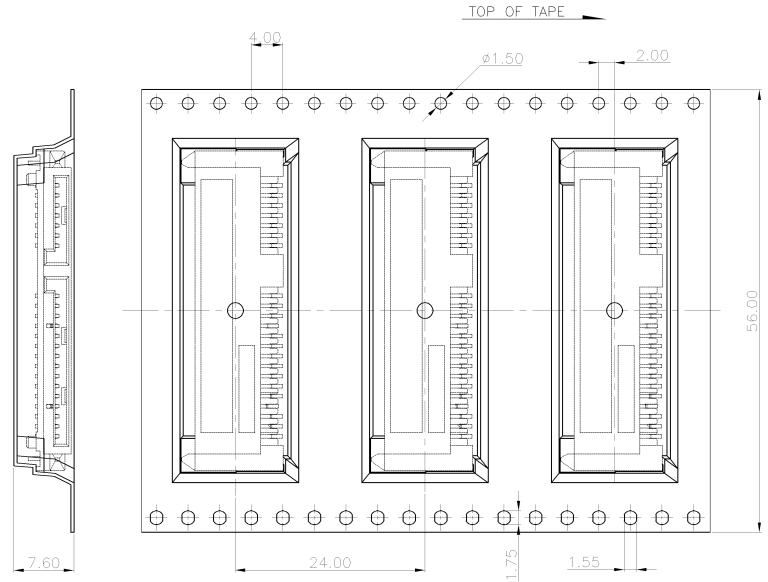
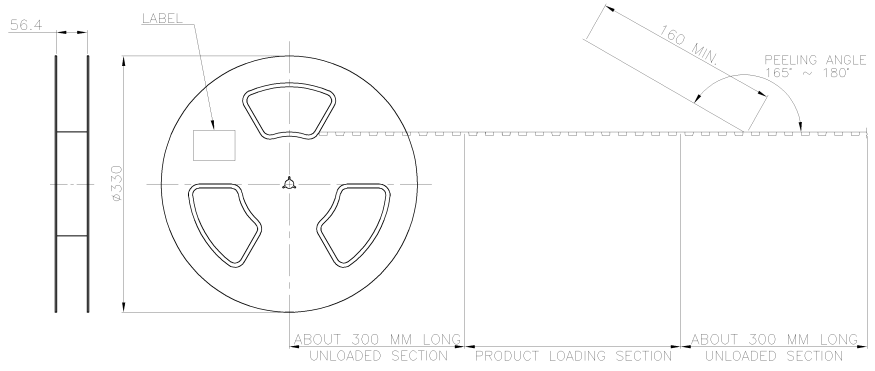
NUMBER
C-1775151



METRIC

THIS INFORMATION IS CONFIDENTIAL AND IS DISCLOSED TO YOU ON CONDITION THAT NO FURTHER DISCLOSURE IS MADE BY YOU TO OTHER THAN AMP PERSONNEL WITHOUT DIMENSIONS IN MILLIMETERS. DO NOT SCALE PRINT.

PRINT DIST
DW



300	5	1500	6.79	2.82
PCS/ TAPE	REELS/ CARTON	QUANTITY	G/W (KG)	N/W (KG)

TOLERANCES UNLESS OTHERWISE SPECIFIED:	DWN	A. WU	tyco	
0 PLC ±0.1	CHK	01-AUG-2006	TYCO HOLDINGS (BERMUDA)	
1 PLC ±0.2			VII LTD. TAIWAN BRANCH	
2 PLC ±0.3			NAME	
3 PLC ±0.5			Electronics	
ANGLES ±0.5			SERIAL ATA CONNECTOR,	
	APVD	W.J. KE	22 POSN 2.70 CL, RCPT.	
		01-AUG-2006	SMT, BOTTOM MOUNT	
MATERIAL			LOC	SIZE
-			DW	A ₃
FINISH	APPLICATION SPEC		DRAWING NO	REV
-			C-1775151	A
WEIGHT			SCALE	SHEET
-			--	2 OF 2

SEE SHEET 1			
LTR	REVISION RECORD	ECN	DWN/CHK DATE

8 | 7 | 6 | 5 | 4 | 3 | 2 | 1
CUSTOMER DRAWING