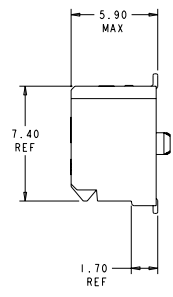
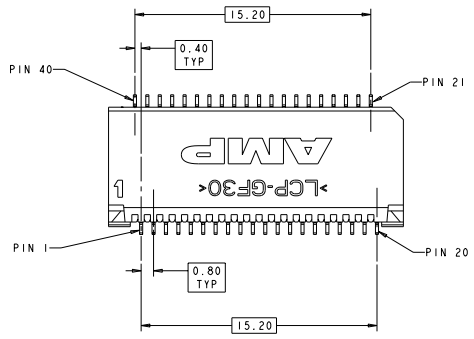
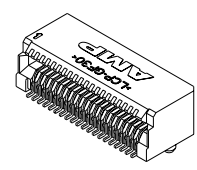


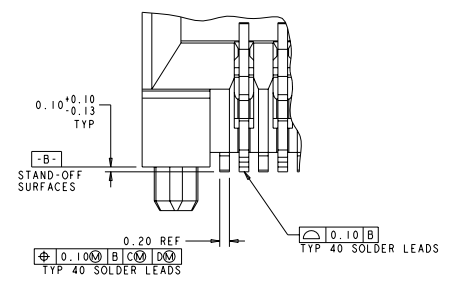
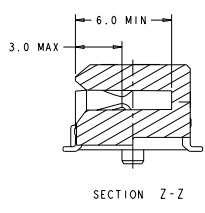
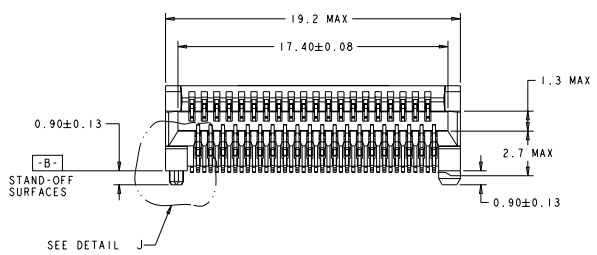
REV	DATE	DESCRIPTION	BY	CHK	APP
ES	00				
C		REVISED PER EC 0513-0307-05	JAYHARR	DM	SS
D		REVISED PER EC 0513-0320-05	JAYHARR	DM	SS
E		REVISED PER EC0-06-011603	JAYHARR	DM	SS
F		REVISED PER EC0-07-025522	JAYHARR	LL	ST



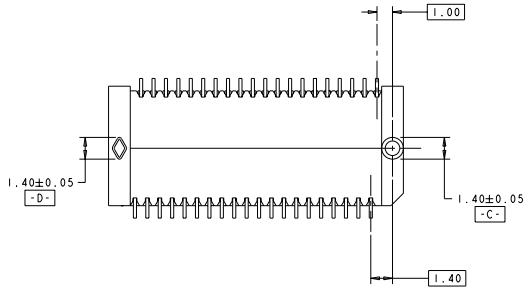
- △ HOUSING: HIGH TEMPERATURE LCP, UL 94V-0 RATED, BLACK, CONTACT: PHOSPHOR BRONZE.
- △ CONTACTS: 0.00038 MIN GOLD IN CONTACT AREA, 0.00013 MIN GOLD ON SOLDER AREA, OVER 0.0038 MIN NICKEL UNDERPLATE ON ENTIRE CONTACT.
- 3. PACKAGED PIECES PER REEL.
- △ GROUND, POWER AND SIGNAL PAD ARRANGEMENT TO BE DETERMINED BY CUSTOMER.
- △ DATUMS AND BASIC DIMENSIONS ESTABLISHED BY CUSTOMER.
- △ CONTACTS: 0.00076 MIN GOLD IN CONTACT AREA, 0.00013 MIN GOLD ON SOLDER AREA, OVER 0.0038 MIN NICKEL UNDERPLATE ON ENTIRE CONTACT.



SCALE 5:1



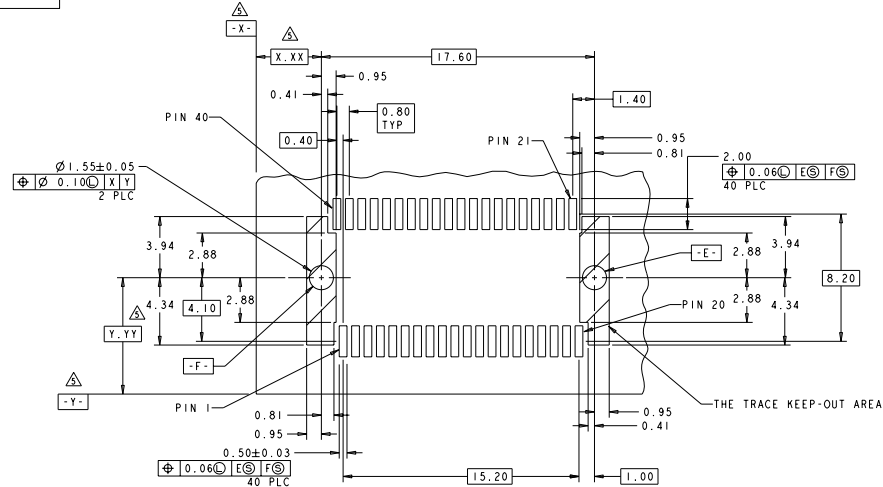
DETAIL J SCALE 25:1



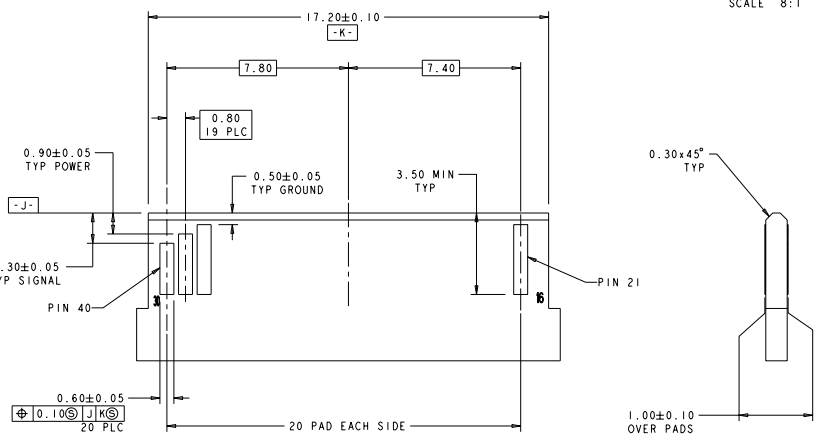
△	1367384-2
△	1367384-1
FINISH	PART NUMBER

DATE: 08/20/2008	BY: PFCB ELECTRONICS CORPORATION	REV: ES	DESCRIPTION: CONNECTOR ASSEMBLY, 40 POSITION, RTANG, 0.8MM	SCALE: 5:1	DATE: 08/20/2008	BY: JAYHARR	REV: DM	APP: SS
SEE TABLE		CUSTOMER DRAWING	00779	1367384				

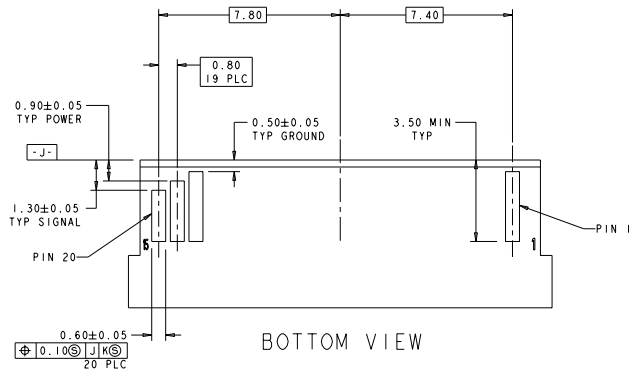
REV. NO.		REVISIONS	
NO.	DATE	DESCRIPTION	BY
ES	00	SEE SHEET 1	



RECOMMENDED PCB LAYOUT DETAIL
 CONNECTOR MOUNTING SIDE
 SCALE 8:1



TOP VIEW



BOTTOM VIEW

RECOMMENDED LAYOUT DETAIL
 MATING PCB
 SCALE 12:1

TYPE NUMBER 72 IMPROVED REVISIONS FOR FABRICATION BY THIS ELECTRONICS CORPORATION. ALL RIGHTS RESERVED.		TYPE ELECTRONICS CORPORATION Skaneateles, P. O. Box 200230	
PART NO. 100-13617	QUANTITY 100000	PART NO. 100-13617	QUANTITY 100000
DATE 11-6-1967	DRAWN BY J. H. HANCOCK	CHECKED BY J. H. HANCOCK	APPROVED BY J. H. HANCOCK
CUSTOMER DRAWING		STATE CASE CODE (Drawing No) A 00779-1367384	