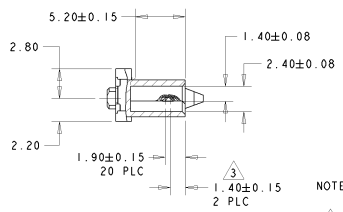
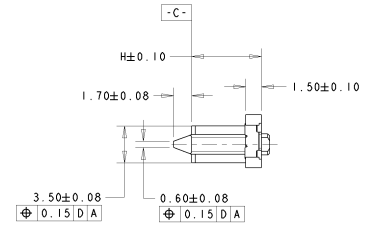
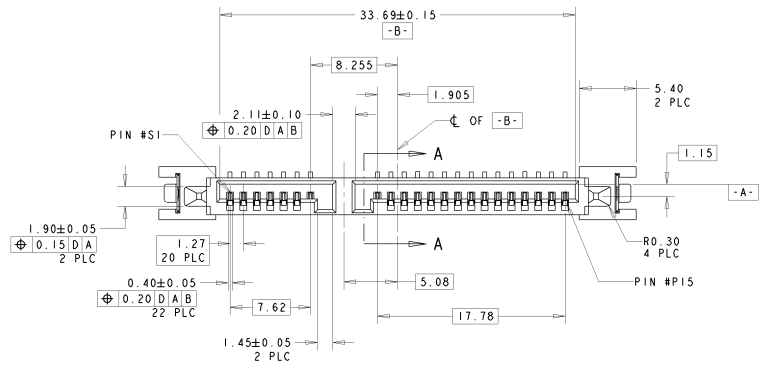


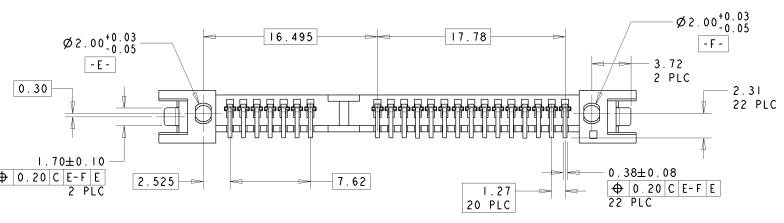
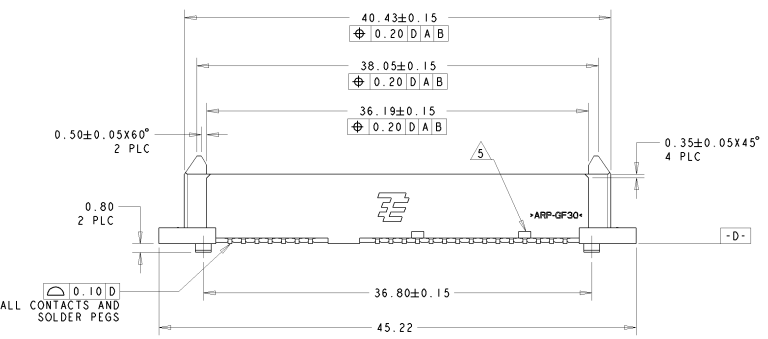
THIS DRAWING IS UNPUBLISHED.
 RELEASED FOR PUBLICATION
 BY AMP INCORPORATED. ALL RIGHTS RESERVED.

LOC	REV	REVISIONS	DATE	BY	APPD
1	1	REVISED ECR-10-023895	11NOV01	LSK	LSF



SECTION A-A

- NOTES:
- 1 MATERIAL: HOUSING: HIGH TEMP THERMOPLASTIC, UL94V-0, COLOR: BLACK CONTACT: COPPER ALLOY BOARDLOCK: COPPER ALLOY
 - 2 FINISH: CONTACT AREA: MIN 0.38um GOLD PLATING SOLDER TAIL: MIN 2.54um MATTIE TIN PLATING UNDERPLATE: MIN 1.27um NICKEL PLATING
 - 3 PIN #P4 AND #P12 ONLY
 - 4 VIEWS IN SHEET 1 ARE SHOWN WITHOUT PICKUP CAP
 - 5 HOUSING OPENING APPLICABLE TO -2 AND -5 ONLY



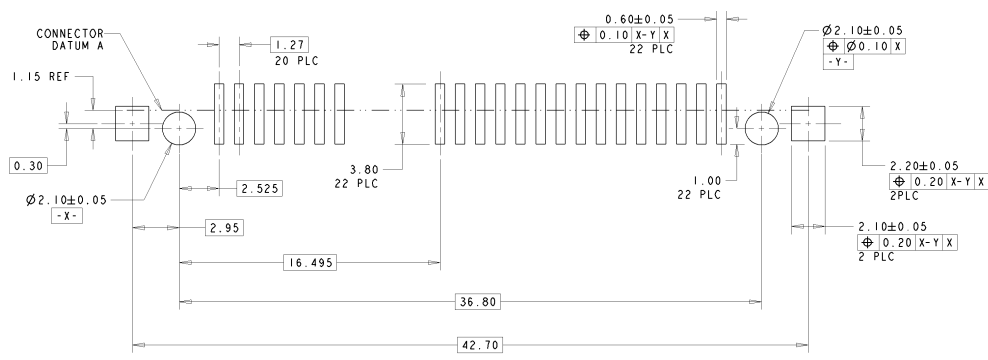
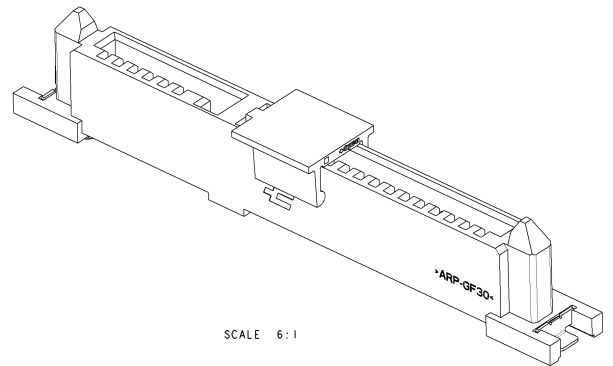
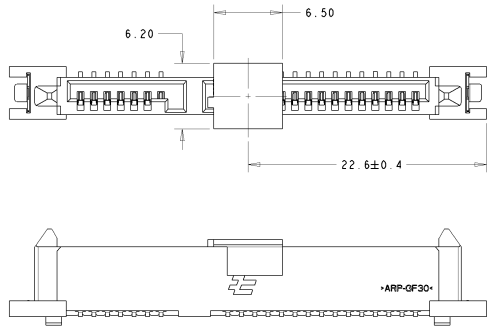
QTY/TRAY	TRAY	PICK-UP CAP	REMARKS	HEIGHT (H)	PART NUMBER
48	TYPE 1	YES	STANDARD PROFILE	8.15	1735284-5
20	TYPE 2	YES	LOW PROFILE	6.60	1735284-4
20	TYPE 2	NO	LOW PROFILE	6.60	1735284-3
20	TYPE 2	NO	STANDARD PROFILE	8.15	1735284-2
48	TYPE 1	YES	LOW PROFILE	6.60	1735284-1

DIMENSIONS: mm 0 PLC 1 PLC 2 PLC 3 PLC 4 PLC ANGLE FINISH		TOLERANCES UNLESS OTHERWISE SPECIFIED: mm 0.15 0.25 0.30 0.40 0.50 0.63 0.80 1.00 1.25 1.60 2.00 2.50 3.15 4.00 5.00 6.30 8.00 10.00 12.50 16.00 20.00 25.00 31.50 40.00 50.00 63.00 80.00 100.00 125.00 160.00 200.00 250.00 315.00 400.00 500.00 630.00 800.00 1000.00		DWG NO: I4NOV2005 SK LEAD: I4NOV2005 ST LEAD: I4NOV2005 PRODUCT SPEC: I4NOV2005 APPLICATION SPEC: 108-51052-1 WEIGHT: - CUSTOMER DRAWING		Tyco Electronics Singapore Pte. Ltd. NAME: SATA BACKPLANE RECEPTACLE, VERTICAL, SMT SIZE: A2 CASE CODE: 00779 DRAWING NO: 1735284 SCALE: 4:1 SHEET: 1 OF 3 REV: C	
-----------------------------------------------------------------------------------	--	-----------------------------------------------------------------------------------------------------------------------------------------------------------------------------------------------------------------------------------------------------------------------------------------------------------------------------------------------------------------------------------------------	--	------------------------------------------------------------------------------------------------------------------------------------------------------------	--	-------------------------------------------------------------------------------------------------------------------------------------------------------------------------------------------	--

AMP 1471-3 REV 02/04/98

THIS DRAWING IS UNPUBLISHED. RELEASED FOR PUBLICATION
 BY AMP INCORPORATED. ALL RIGHTS RESERVED.

LOC	REV	DATE	DESCRIPTION	BY	APPD
DY	-	-	SEE SHEET 1	-	-



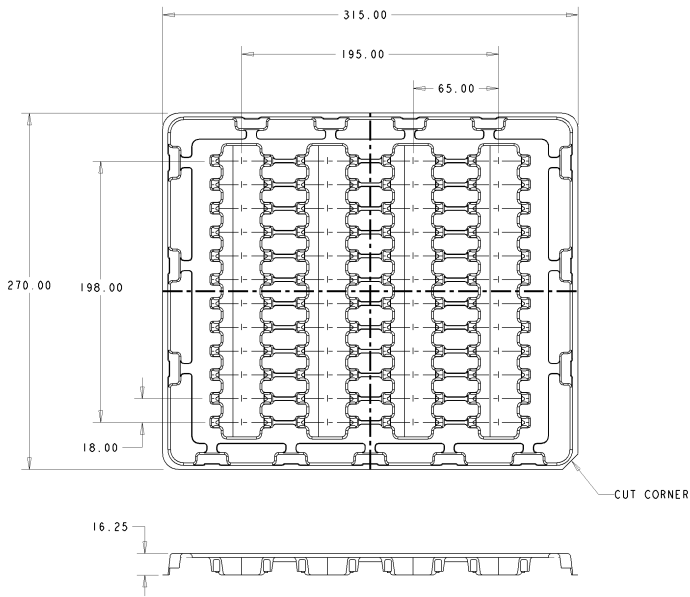
RECOMMENDED PCB LAYOUT
 SCALE 6:1

<small>THIS DRAWING IS UNPUBLISHED. RELEASED FOR PUBLICATION BY AMP INCORPORATED. ALL RIGHTS RESERVED.</small>		DWG NO: I4NOV2005 SK LEAW: I4NOV2005 CHK: I4NOV2005 DATE: I4NOV2005	Tyco Electronics Singapore Pte. Ltd.
DIMENSIONS: mm TOLERANCES UNLESS OTHERWISE SPECIFIED: 0 PLC ±0.10 X-Y X 1 PLC ±0.20 2 PLC ±0.20 X-Y X 3 PLC ±0.20 X-Y X 4 PLC ±0.20 X-Y X ANGLES FINISH: 30°		NAME: SATA BACKPLANE RECEPTACLE, VERTICAL, SMT PRODUCT SPEC: 108-51052-1 APPLICATION SPEC: - WEIGHT: - CUSTOMER DRAWING: -	SIZE: A2 CASE CODE: 00779 DRAWING NO: 1735284 SCALE: 4:1 SHEET: 2 OF 3 REV: C

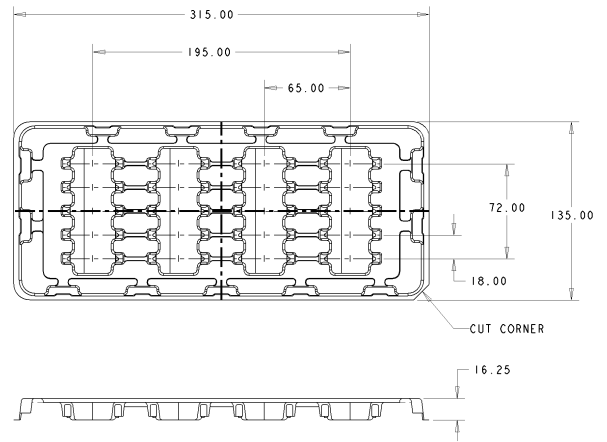
AMP 1471-3 REV 05/04/04

THIS DRAWING IS UNPUBLISHED.
 RELEASED FOR PUBLICATION
 BY AMP INCORPORATED. ALL RIGHTS RESERVED.

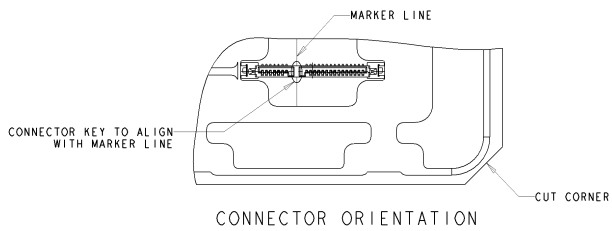
LOC	QTY	REV	DESCRIPTION	DATE	BY	APP
DY	-	1	SEE SHEET 1	-	-	-



TRAY, TYPE 1
 QTY/TRAY: 48PCS



TRAY, TYPE 2
 QTY/TRAY: 20PCS



CONNECTOR ORIENTATION

<small>THIS DRAWING IS A PROPERTY OF AMP INCORPORATED. ALL RIGHTS RESERVED. NO PARTS TO BE REPRODUCED OR TRANSMITTED IN ANY FORM OR BY ANY MEANS, ELECTRONIC OR MECHANICAL, INCLUDING PHOTOCOPYING, RECORDING, OR BY ANY INFORMATION STORAGE AND RETRIEVAL SYSTEM, WITHOUT THE WRITTEN PERMISSION OF AMP INCORPORATED.</small>		DWG NO: 14NOV2005 SK LEAW CHK: 14NOV2005 APD: 14NOV2005 DATE: 14NOV2005	Tyco Electronics Singapore Pte. Ltd.
DIMENSIONS: mm 0 P/LC 1 P/LC 2 P/LC 3 P/LC 4 P/LC MATERIAL: - FINISH: -		PRODUCT SPEC: 108-51052-1 APPLICATION SPEC: - WEIGHT: - CUSTOMER DRAWING	NAME: SATA BACKPLANE RECEPTACLE, VERTICAL, SMT SIZE: A2 CASE CODE: 00779 DRAWING NO: 1735284 SCALE: 4:1 SHEET: 3 OF 3 REV: C