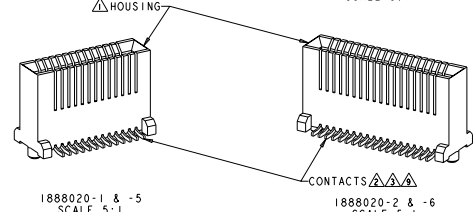
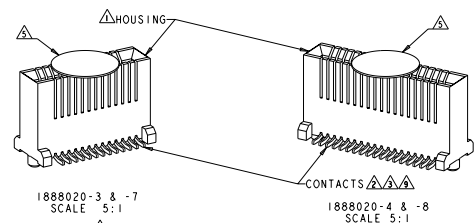


- △ MATERIAL: LCP, BLACK.
- △ MATERIAL: PHOSPHOR BRONZE PER ASTM B 103.
- △ FINISH: 0.76µm MIN GOLD PLATE PER ASTM B 488, APPLIES TO INTERFACE AREA AND 2.03µm MIN TIN PLATE SOLDER TAILS, ALL OVER 3.81µm MIN NICKEL PLATE PER QQ-N-290.
- △ DATUM AND BASIC DIMENSION ESTABLISHED BY CUSTOMER.
- △ WITH KAPTON PLACEMENT DOT INSTALLED.
- △ PACKAGED IN TUBES.
- △ PACKAGED IN TAPE AND REEL.
- △ CONNECTOR PIN IDENTIFIERS: SYMMETRICAL VERTICAL CONNECTORS CAN BE APPLIED TO BOARD IN EITHER ORIENTATION.
- △ FINISH: 0.38µm MIN GOLD PLATE PER ASTM B 488, APPLIES TO INTERFACE AREA AND 2.03µm MIN TIN PLATE SOLDER TAILS, ALL OVER 3.81µm MIN NICKEL PLATE PER QQ-N-290.
- △ OBSOLETE PARTS: OBSOLETE CIS STREAMLINING PER D.RENAUD/D.SINISI

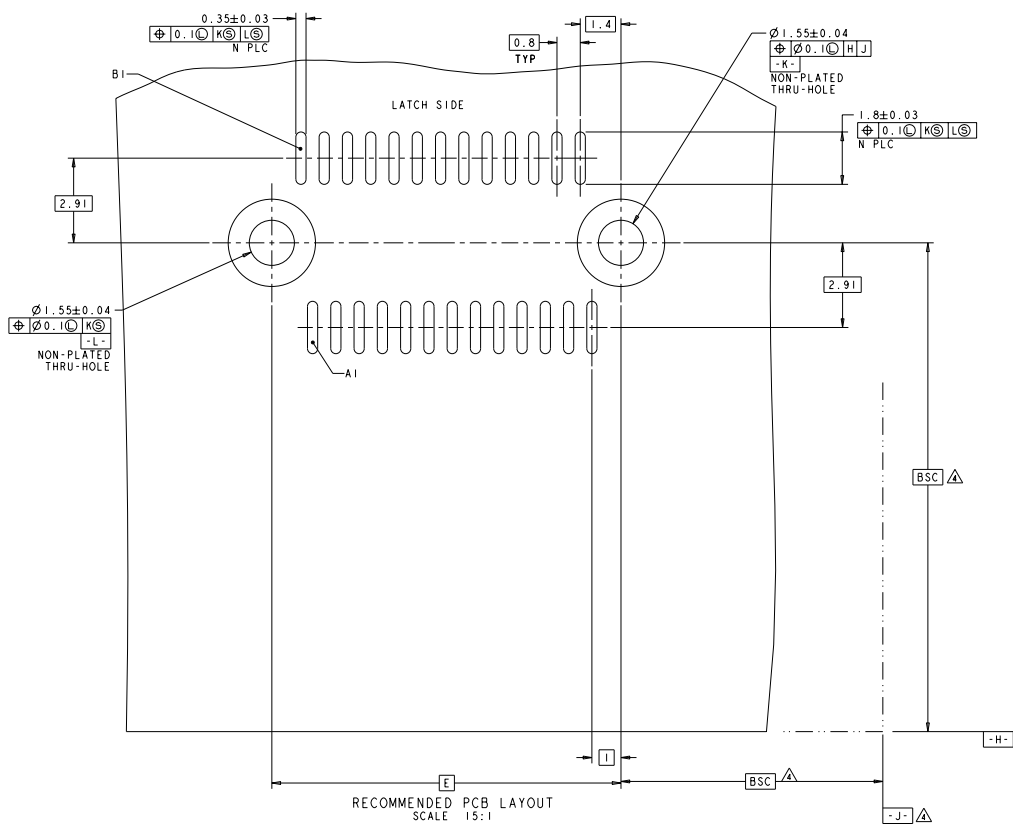
REV	DATE	DESCRIPTION	BY	CHK	APP
A	08-22-20	RELEASED PER ECO-08-011133	MM	MM	DLG
A1	08-22-20	REVISED PER ECO-09-025689	MM	MM	DLG



FINISH	PACKAGING	N	E	D	C	B	A	POSN	MADE FROM	PART NUMBER
△	-	-	-	-	-	-	-	-	1888020-6	1888020-8
									1888020-5	1888020-7
									-	1888020-6
△	-	-	-	-	-	-	-	-	1888020-5	1888020-4
									1888020-1	1888020-3
									1888020-2	1888020-1
△ OBSOLETE										

DATE: 08/22/20 DRAWN BY: [Signature] CHECKED BY: [Signature] APPROVED BY: [Signature]	DATE: 07/20/05 DRAWN BY: [Signature] CHECKED BY: [Signature] APPROVED BY: [Signature]	DATE: 07/20/05 DRAWN BY: [Signature] CHECKED BY: [Signature] APPROVED BY: [Signature]	DATE: 07/20/05 DRAWN BY: [Signature] CHECKED BY: [Signature] APPROVED BY: [Signature]
TITLE: EVERCLEAR Mini-SAS VERTICAL RECEPTACLE CONNECTOR ASSEMBLY SURFACE MOUNT			
STATE: CA COUNTY: [Blank] CITY: [Blank]			
CUSTOMER: [Blank]			

REV. NO.		REVISIONS	
DATE	BY	DESCRIPTION	APP'D.
00	GP	SEE SHEET 1	



DATE: 08/15/2018 TIME: 10:10 AM USER: GP		FILE: 000001.DWG PLOT: 000001.DWG		TITLE: EVERCLEAR Mini-SAS VERTICAL RECEPTACLE CONNECTOR ASSEMBLY, SURFACE MOUNT	
PROJECT: 188-2234 PART: 000001		DRAWN BY: J. HENRY CHECKED BY: J. HENRY		SCALE: 15:1 SHEET: 2 OF 2	
CUSTOMER: EVERCLEAR		CUSTOMER PART: 00779		CUSTOMER DRAWING: 1888020	