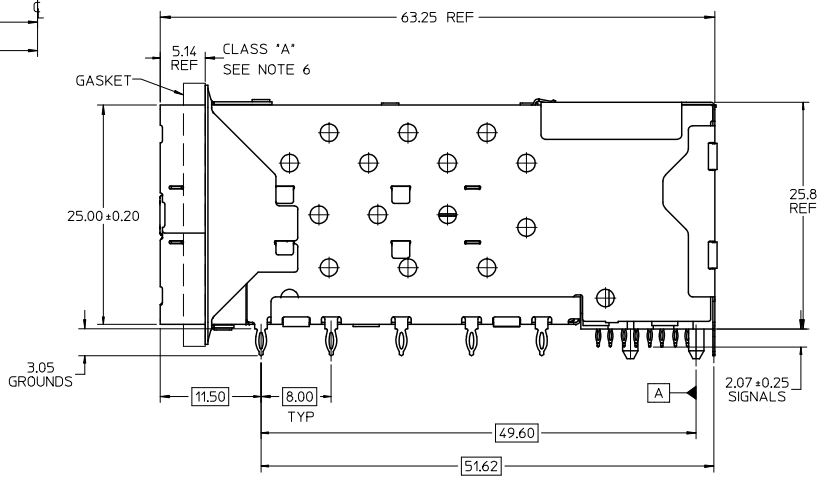


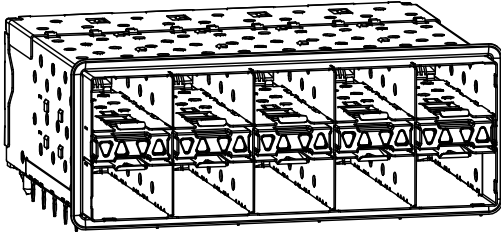
PART NUMBER	DESCRIPTION	VIEW	COMPLIANT TAIL PLATING
760930001	4 LIGHT PORTS	SEE PG 2	TIN / LEAD
760930002	INNER 2 PORTS	SEE PG 2	TIN / LEAD
760930003	OUTER 2 PORTS	SEE PG 2	TIN / LEAD
760935001	4 LIGHT PORTS	SEE PG 2	TIN
760935002	INNER 2 PORTS	SEE PG 2	TIN
760935003	OUTER 2 PORTS	SEE PG 2	TIN

- NOTES:
- MATERIAL:
    - CAGE: NICKEL SILVER, THICKNESS: 0.25mm
    - GASKET FLANGE: STAINLESS STEEL
    - EMI GASKET: CONDUCTIVE POLYMER
    - CONNECTOR HOUSING: GLASS FILLED THERMOPLASTIC, UL: 94 V-0, COLOR: BLACK
    - OVERMOLD TERMINAL HOUSING: GLASS FILLED THERMOPLASTIC, UL 94 V-0, COLOR: BLACK
    - TERMINALS: BRASS
    - LIGHT PIPES: POLYCARBONATE, UL 94 V-0, COLOR: CLEAR
    - LIGHT PIPE HOUSING: ZINC
  - FINISH
    - TERMINALS: CONTACT AREA: 0.76 MICRONS MIN. HARD GOLD OVER 1.27 MICRONS MIN. NICKEL.
    - COMPLIANT TAIL - TIN/LEAD OPTION: 0.76 - 1.52 MICRONS 90/10 TIN/LEAD OVER 0.76 - 1.52 MICRONS NICKEL
    - COMPLIANT TAIL - TIN OPTION: 0.76 - 1.52 MICRONS TIN OVER 0.76 - 1.52 MICRONS NICKEL
    - LIGHT PIPE HOUSING: 150 MICRONS NICKEL OVER 150 MICRONS COPPER
  - REFER TO PS-75310-001 PRODUCT SPEC FOR ALL ELECTRICAL, MECHANICAL AND ENVIRONMENTAL SPECIFICATIONS.
  - LIGHT PIPE PAD LAYOUT IS FOR 0805 LOW-PROFILE LED PACKAGE, FOR OTHER RECOMMENDED LAYOUTS REFER TO MOLEX'S REPORT TS-75310-001
  - REFER TO PK-75733-001 FOR ALL PACKAGING SPECIFICATIONS.
  - ALL EXTERIOR SURFACES TO BE CLASS "B" SURFACES EXCEPT THE UNDER SIDE OF THE CAGE WHERE THE PCB WOULD BE LOCATED AND AS NOTED. THE SURFACES TO CONFORM TO THE MOLEX COSMETIC DOC PS-45499-002.

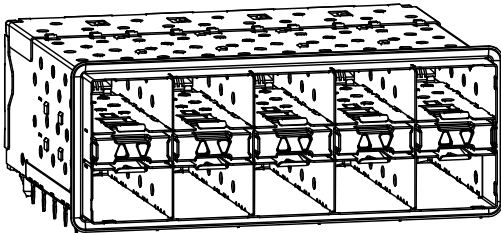


ADD KEEP OUT ZONES EC NO.: UCP2009-1556 2009/08/04 DRWN:HS IBARRA 2009/08/06 CHK:CHBARBER 2009/08/06 APPR:SHILLER	QUALITY SYMBOLS	GENERAL TOLERANCES (UNLESS SPECIFIED)		DIMENSION STYLE		SCALE	DESIGN UNITS	THIRD ANGLE PROJECTION
	▽=0	mm	INCH	MM ONLY	DATE	3:1	METRIC	
	▽=0	4 PLACES ± --- ± ---	3 PLACES ± --- ± ---	DRAWN BY	01-18-2007			TITLE
		2 PLACES ± 0.13 ± ---	1 PLACE ± 0.25 ± ---	CHECKED BY	01-18-2007			STACKED SFP+ 2X5 ASS'Y WITH ELASTOMERIC GASKET AND LIGHTPIPES
	ANGULAR ± 5 °	DRAFT WHERE APPLICABLE MUST REMAIN WITHIN DIMENSIONS		APPROVED BY	01-18-2007			MATERIAL NO.
				RNELSON				DOCUMENT NO.
				SEE TABLE				SD-76093-001
				SIZE				SHEET NO.
				C THIS DRAWING CONTAINS INFORMATION THAT IS PROPRIETARY TO MOLEX INCORPORATED AND SHOULD NOT BE USED WITHOUT WRITTEN PERMISSION				1 OF 4

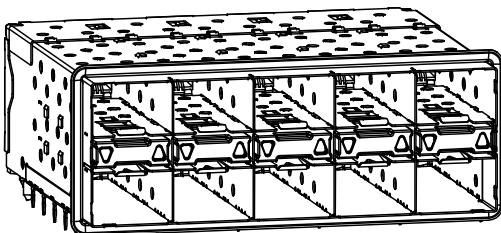
13 12 11 10 9 8 7 6 5 4 3 2 1



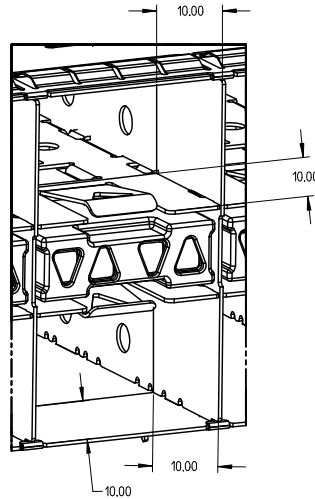
760930001 AND 760935001  
WITH INNER AND OUTER LIGHT PIPES



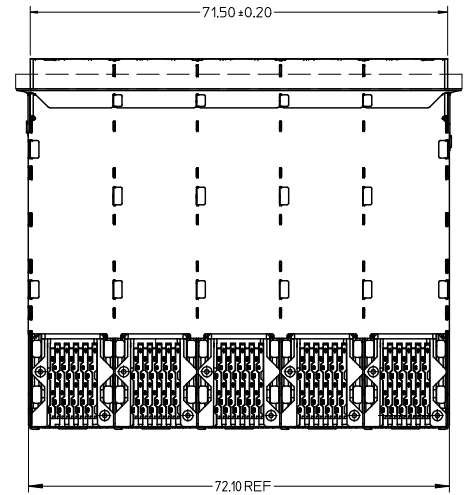
760930002 AND 760935002  
WITH INNER LIGHT PIPES



760930003 AND 760935003  
WITH OUTER LIGHT PIPES



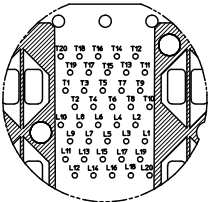
10.00mm AREA SETBACK IN CAGE IS TO BE FREE OF ANY HOLES, DIMPLES, SEAMS OR ANY OTHER FEATURE. (4 SIDES PER MODULE PORT)



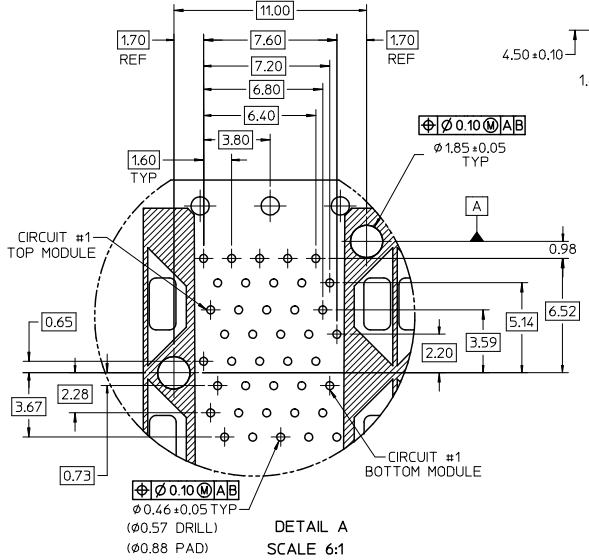
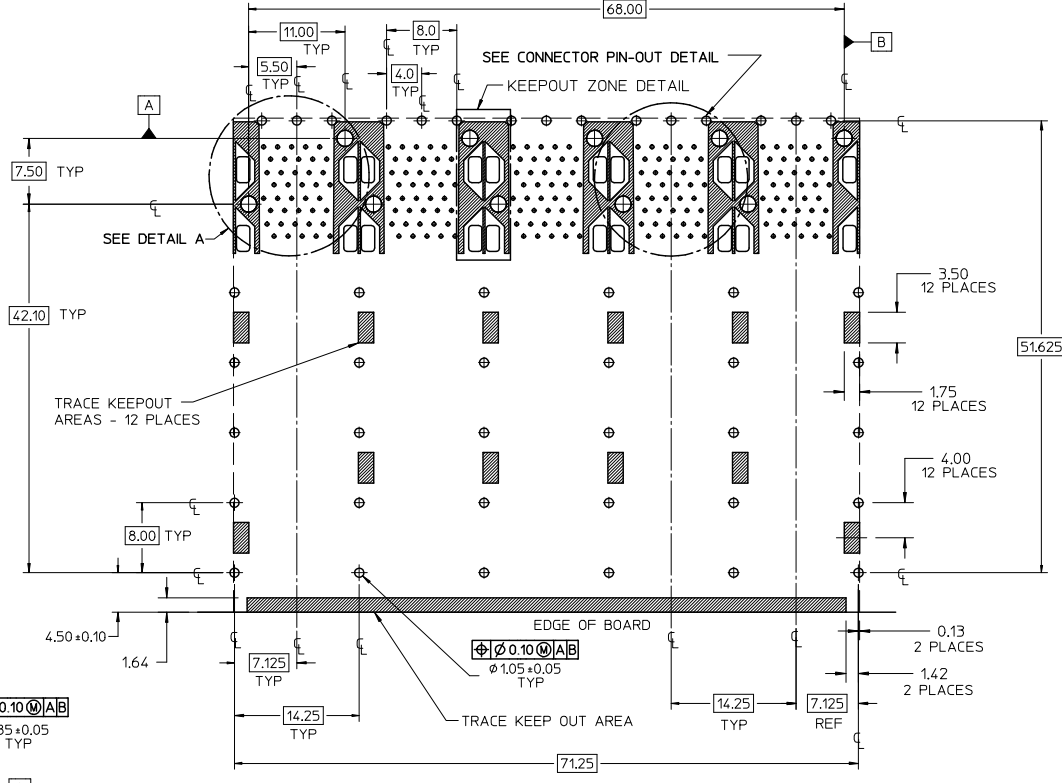
SEE SHEET 1 EC NO. UEP2009-1356 2009/08/04 DRAWN BY TBARRA 2009/08/06 CHKD BY BARKER 2009/08/06 APPR: SMILLER 2009/08/06	QUALITY SYMBOLS	GENERAL TOLERANCES (UNLESS SPECIFIED)	DIMENSION STYLE	SCALE	DESIGN UNITS	THIRD ANGLE PROJECTION
	▽=0 ▽=0	4 PLACES ± --- ± --- 3 PLACES ± --- ± --- 2 PLACES ± 0.13 ± --- 1 PLACE ± 0.25 ± --- ANGULAR ± 5°	MM ONLY	2:1	METRIC	TITLE STACKED SFP+ 2X5 ASS'Y WITH ELASTOMERIC GASKET AND LIGHTPIPES MOLEX INCORPORATED
	DESCRIPTION	DRAFT WHERE APPLICABLE MUST REMAIN WITHIN DIMENSIONS	DRAWN BY JLONG DATE 01-18-2007 CHECKED BY MSANDBERG DATE 01-18-2007 APPROVED BY RNELSON DATE 01-18-2007	MATERIAL NO.	DOCUMENT NO.	SHEET NO.
	REV		SEE TABLE	SD-76093-001	2 OF 4	

12 11 10 9 8 7 6 5 4 3 2 1

13 12 11 10 9 8 7 6 5 4 3 2 1



CONNECTOR PIN-OUT DETAIL  
SCALE 4:1



DETAIL A  
SCALE 6:1

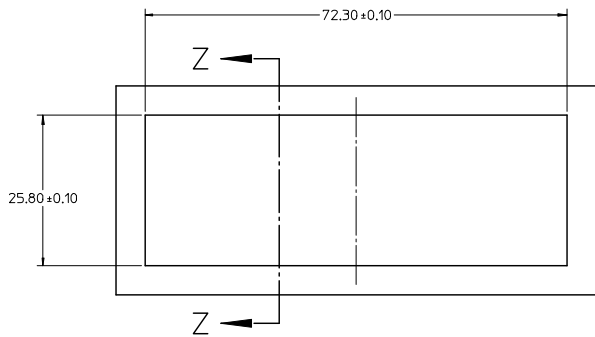
RECOMMENDED PCB LAYOUT - COMPONENT SIDE  
RECOMMENDED PCB THICKNESS - 2.36 MM (.093 INCH)

THE ENTIRE AREA OF THE CONNECTOR FOOTPRINT  
TO BE CONSIDERED THE KEEP OUT AREA FOR COMPONENTS  
THIS AREA IS INDICATED BY THE DASHED LINE

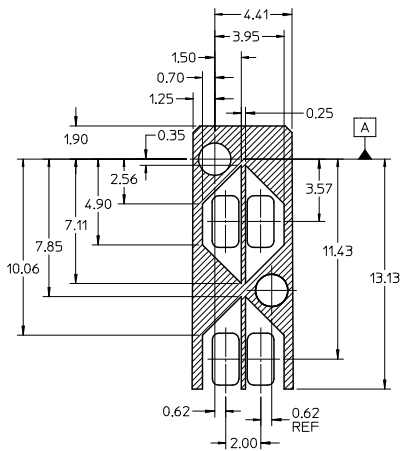
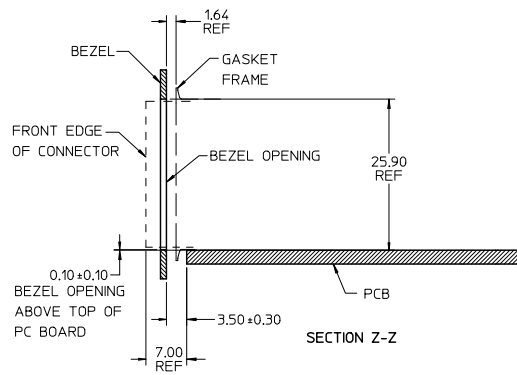
<b>ADD KEEP OUT ZONES</b> EC NO. UEP2009-1356 2009/08/04 DRWNS IBARRA CHKD:BARBER 2009/08/06 APPR:SKILLER 2009/08/06	QUALITY SYMBOLS ▽=0 ▽=0	GENERAL TOLERANCES (UNLESS SPECIFIED)		DIMENSION STYLE MM ONLY		SCALE 3:1	DESIGN UNITS METRIC	THIRD ANGLE PROJECTION
		4 PLACES ± --- ± --- 3 PLACES ± --- ± --- 2 PLACES ± 0.13 ± --- 1 PLACE ± 0.25 ± --- ANGULAR ± 5 °	mm INCH	DRAWN BY JLONG DATE 01-18-2007	TITLE STACKED SFP+ 2X5 ASS'Y WITH ELASTOMERIC GASKET AND LIGHTPIPES	MOLEX INCORPORATED		
		DRAFT WHERE APPLICABLE MUST REMAIN WITHIN DIMENSIONS	SEE TABLE	CHECKED BY MSANDBERG DATE 01-18-2007	APPROVED BY RNELSON DATE 01-18-2007	MATERIAL NO. SD-76093-001	DOCUMENT NO. SD-76093-001	
		SIZE C	THIS DRAWING CONTAINS INFORMATION THAT IS PROPRIETARY TO MOLEX INCORPORATED AND SHOULD NOT BE USED WITHOUT WRITTEN PERMISSION	SHEET NO. 3 OF 4				

12 11 10 9 8 7 6 5 4 3 2 1

13 12 11 10 9 8 7 6 5 4 3 2 1



BEZEL CUTOUT CENTER SPACING DETAIL  
BEZEL THICKNESS 0.8-2.6



KEEPOUT ZONE DETAIL  
SCALE 6:1

SEE SHEET 1 EC NO. UCP2009-1356 DRAWN BY IBARRA 2009/08/04 CHECKED BY BARBER 2009/08/06 APPR: SMILLER 2009/08/06	QUALITY SYMBOLS ▽=0 ▽=0	GENERAL TOLERANCES (UNLESS SPECIFIED)		DIMENSION STYLE MM ONLY		SCALE 2:1	DESIGN UNITS METRIC	THIRD ANGLE PROJECTION	
		4 PLACES ± --- ± ---	3 PLACES ± --- ± ---	2 PLACES ± 0.13 ± ---	1 PLACE ± 0.25 ± ---	ANGULAR ± 5 °	DRAWN BY JLONG	DATE 01-18-2007	TITLE STACKED SFP+ 2X5 ASS'Y WITH ELASTOMERIC GASKET AND LIGHTPIPES
		DRAFT WHERE APPLICABLE MUST REMAIN WITHIN DIMENSIONS		SEE TABLE		MATERIAL NO.	DOCUMENT NO.	SHEET NO.	
		THIS DRAWING CONTAINS INFORMATION THAT IS PROPRIETARY TO MOLEX INCORPORATED AND SHOULD NOT BE USED WITHOUT WRITTEN PERMISSION		MOLEX INCORPORATED		SD-76093-001	4 OF 4		

Id\_frame\_C\_P\_AM\_T  
Rev. E 2006/04/15

12 11 10 9 8 7 6 5 4 3 2 1