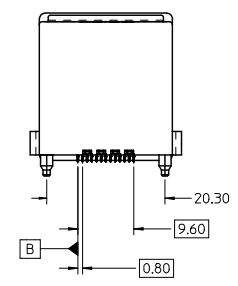
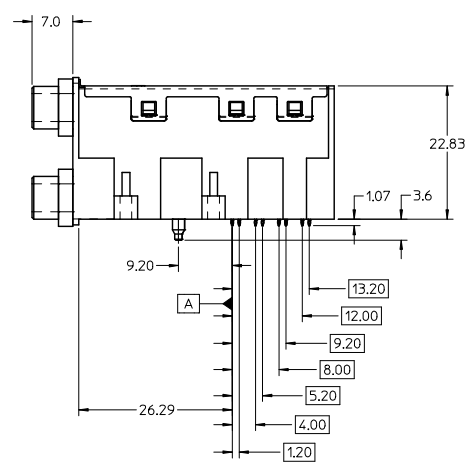
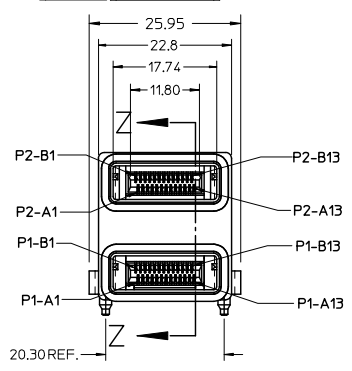
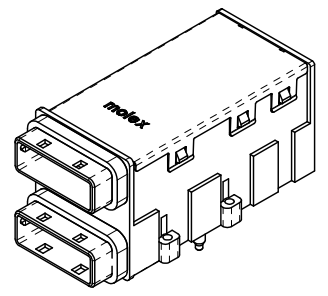
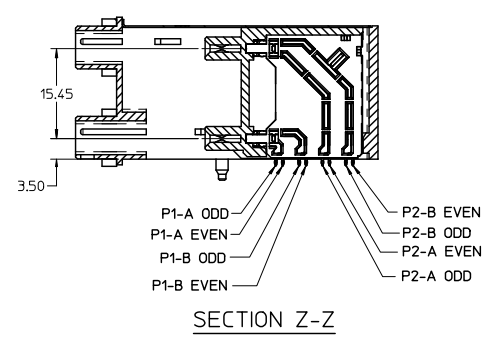
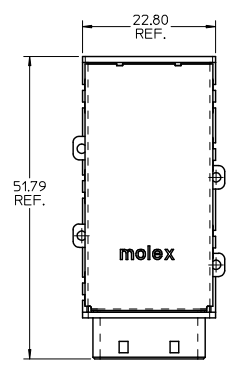


13 12 11 10 9 8 7 6 5 4 3 2 1

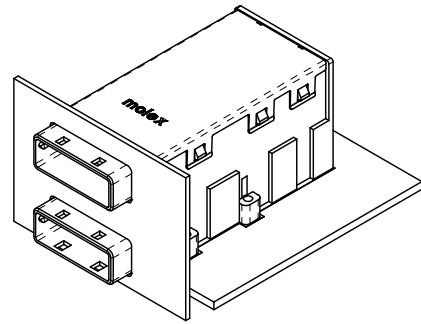
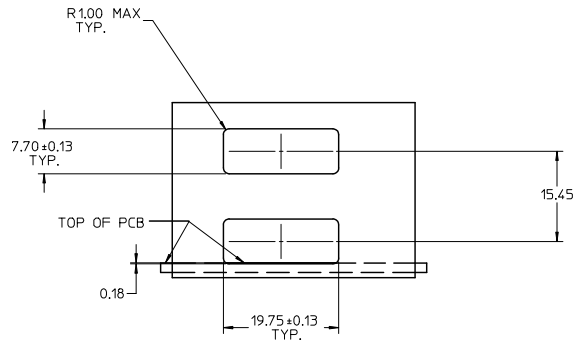


- NOTES :
- MATERIALS :**  
 CONNECTOR HOUSING - HIGH TEMP THERMOPLASTIC, GLASS-FILLED, UL94V-0, COLOR - BLACK  
 EMI HOUSING - DIE CAST ALLOY, NICKEL PLATED FINISH  
 COVER - STAINLESS STEEL ALLOY  
 CPI TERMINALS - COPPER ALLOY  
 EMI GASKETS - CONDUCTIVE POLYMER
  - TERMINAL PLATING :**  
 CONTACT AREA - 0.76μ MIN GOLD OVER 2.54μ MIN NICKEL.  
 COMPLIANT AREA - 0.76-1.52μ TIN/LEAD (90/10) OVER 2.54μ MIN NICKEL.
  - PACKAGING SPECIFICATION :** TRAY PACK (TBD)
  - REFER TO PS-75586-001 PRODUCT SPEC FOR ALL ELECTRICAL, MECHANICAL AND ENVIRONMENTAL SPECIFICATIONS.
  - THIS CONNECTOR IS DESIGNED TO MATE WITH MOLEX CABLE SERIES 74548.
  - REQUIRES MOUNTING HARDWARE : (4) M2 X 8MM CAP SCREWS OR EQUIV. MAX. TORQUE 2.3 in/lbs.

<b>REVISED PCB NOTES</b> EC NO: UCP2009-4994 DRAWN: JJANTELEZ10 2009/02/10 CHK: KLANG 2009/02/12 APPR: MBANK1S 2009/02/16	<b>QUALITY SYMBOLS</b>  	<b>GENERAL TOLERANCES (UNLESS SPECIFIED)</b>		<b>DIMENSION STYLE</b> MM ONLY		SCALE 2:1	DESIGN UNITS METRIC	THIRD ANGLE PROJECTION			
		4 PLACES ±0.25 ±0.10 3 PLACES ±0.25 ±0.10 2 PLACES ±0.25 ±0.10 1 PLACE ±0.25 ±0.10	mm INCH	DRAWN BY JJANTELEZ10	DATE 01/23/08	TITLE IPASS STACKED 26/26 CIRCUIT CONNECTOR					
		ANGULAR ±1/2°	DRAFT WHERE APPLICABLE MUST REMAIN WITHIN DIMENSIONS	CHECKED BY KLANG	DATE 01/23/08	MATERIAL NO. SD-75758-002 DOCUMENT NO. SD-75758-002					
		SEE CHART	THIS DRAWING CONTAINS INFORMATION THAT IS PROPRIETARY TO MOLEX INCORPORATED AND SHOULD NOT BE USED WITHOUT WRITTEN PERMISSION	APPROVED BY MBANK1S	DATE 01/23/08	SHEET NO. 1 OF 3					

12 11 10 9 8 7 6 5 4 3 2 1

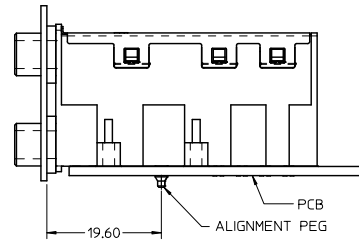
13 12 11 10 9 8 7 6 5 4 3 2 1



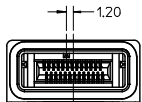
**PANEL CUT-OUT**

MAXIMUM THICKNESS = 1.50  
(NOT SUPPLIED)

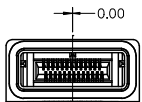
NOTE : EDGE OF CUT-OUT IS BELOW THE PCB



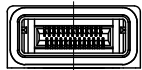
**ASSEMBLY VIEW**



KEY WAY - 3



KEY WAY - 4



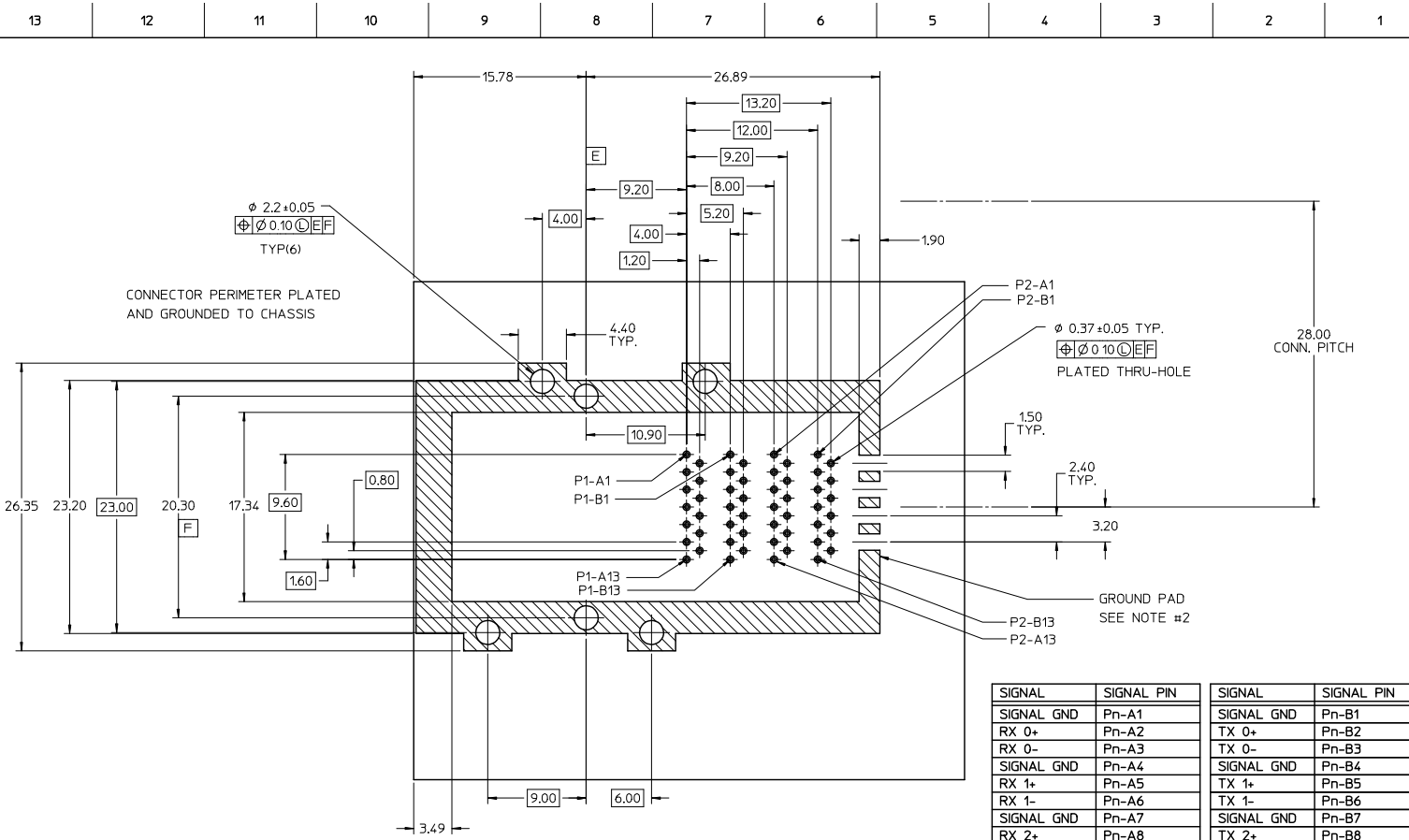
KEY WAY - NONE

**KEY WAY OPTIONS**

PART NUMBER	KEY WAY
75758-0101	NONE
75758-0102	#3
75758-0103	#4
-	-
-	-
-	-
-	-
-	-
-	-

SEE SHEET 1 EC NO: UCPZ009-1994 DRAWN: JJANTELEZ10 2009/02/10 CHK: KLANG 2009/02/12 APPR: RBANKI S 2009/02/16	QUALITY SYMBOLS	GENERAL TOLERANCES (UNLESS SPECIFIED)		DIMENSION STYLE		SCALE	DESIGN UNITS	THIRD ANGLE PROJECTION	
	▽=0 ▽=0	mm	INCH	MM ONLY		2:1	METRIC		
		4 PLACES ± --- ± ---	3 PLACES ± --- ± ---	DRAWN BY	DATE	TITLE			
		2 PLACES ± 0.25 ± ---	1 PLACE ± 0.25 ± ---	JJANTELEZ10	01/23/08	IPASS STACKED 26/26 CIRCUIT CONNECTOR			
	ANGULAR ± 1/2°		CHECKED BY	DATE	MATERIAL NO.				
	DRAFT WHERE APPLICABLE MUST REMAIN WITHIN DIMENSIONS		KLANG	01/23/08	MBANAK1 S				
	SEE SHEET 1		APPROVED BY	DATE	DOCUMENT NO.				
	THIS DRAWING CONTAINS INFORMATION THAT IS PROPRIETARY TO MOLEX INCORPORATED AND SHOULD NOT BE USED WITHOUT WRITTEN PERMISSION		MBANAK1 S	01/23/08	MOLEX INCORPORATED				
					SD-75758-002				
					SHEET NO. 2 OF 3				

12 11 10 9 8 7 6 5 4 3 2 1



SIGNAL	SIGNAL PIN	SIGNAL	SIGNAL PIN
SIGNAL GND	Pn-A1	SIGNAL GND	Pn-B1
RX 0+	Pn-A2	TX 0+	Pn-B2
RX 0-	Pn-A3	TX 0-	Pn-B3
SIGNAL GND	Pn-A4	SIGNAL GND	Pn-B4
RX 1+	Pn-A5	TX 1+	Pn-B5
RX 1-	Pn-A6	TX 1-	Pn-B6
SIGNAL GND	Pn-A7	SIGNAL GND	Pn-B7
RX 2+	Pn-A8	TX 2+	Pn-B8
RX 2-	Pn-A9	TX 2-	Pn-B9
SIGNAL GND	Pn-A10	SIGNAL GND	Pn-B10
RX 3+	Pn-A11	TX 3+	Pn-B11
RX 3-	Pn-A12	TX 3-	Pn-B12
SIGNAL GND	Pn-A13	SIGNAL GND	Pn-B13

Pn - 'n' DENOTES PORT NUMBER

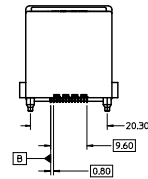
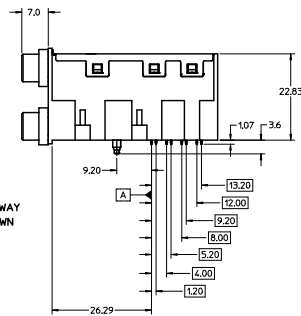
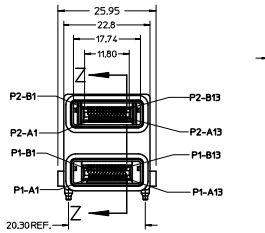
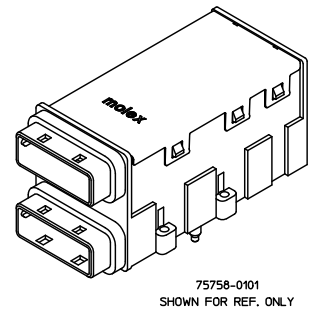
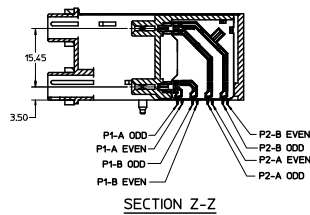
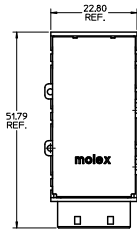
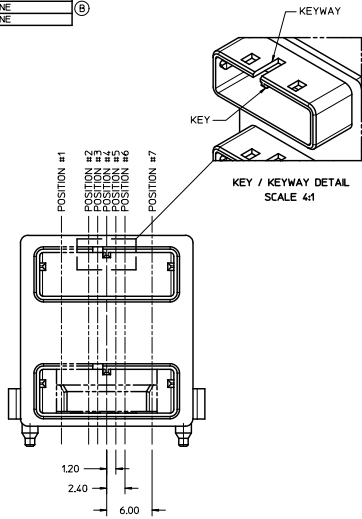
- NOTES :
- CROSS-HATCHED AREA MUST BE INCORPORATED IN THE FLAT ROCK PRESS-FIT TOOLING.
  - PLATE GROUND PAD WITH EMERSION SILVER OR GOLD.
  - RECOMMENDED DRILL SIZE FOR 0.37 $\phi$  FINISHED PTH IS 0.457 $\phi$  (#77 DRILL)
  - RECOMMENDED ANNULAR RING AROUND 0.37 $\phi$  FINISHED PTH IS 0.73 $\phi$

RECOMMENDED PCB LAYOUT

THICKNESS = 1.35mm MIN.

SEE SHEET 1 EC NO: UCP2009-1994 DRAWN: JJANTELEZIO 2009/02/10 CHK: KLANG 2009/02/12 APPR: MBANKA1S 2009/02/16	QUALITY SYMBOLS	GENERAL TOLERANCES (UNLESS SPECIFIED)	DIMENSION STYLE	SCALE	DESIGN UNITS	THIRD ANGLE PROJECTION															
	$\nabla=0$ $\nabla=0$	<table border="1"> <tr><th></th><th>mm</th><th>INCH</th></tr> <tr><td>4 PLACES</td><td>±---</td><td>±---</td></tr> <tr><td>3 PLACES</td><td>±---</td><td>±---</td></tr> <tr><td>2 PLACES</td><td>±0.25</td><td>±---</td></tr> <tr><td>1 PLACE</td><td>±0.25</td><td>±---</td></tr> </table>		mm	INCH	4 PLACES	±---	±---	3 PLACES	±---	±---	2 PLACES	±0.25	±---	1 PLACE	±0.25	±---	MM ONLY	2:1	METRIC	
		mm	INCH																		
	4 PLACES	±---	±---																		
3 PLACES	±---	±---																			
2 PLACES	±0.25	±---																			
1 PLACE	±0.25	±---																			
DESCRIPTION	ANGULAR ±1/2°	DRAFT WHERE APPLICABLE MUST REMAIN WITHIN DIMENSIONS	DRAWN BY: JJANTELEZIO CHECKED BY: KLANG APPROVED BY: MBANKA1S DATE: 01/23/08	DATE: 01/23/08 DATE: 01/23/08	TITLE: IPASS STACKED 26/26 CIRCUIT CONNECTOR MOLEX INCORPORATED																
REV			MATERIAL NO.: MBANAK1S DOCUMENT NO.: SD-75758-002 SEE SHEET 1			SHEET NO.: 3 OF 3															

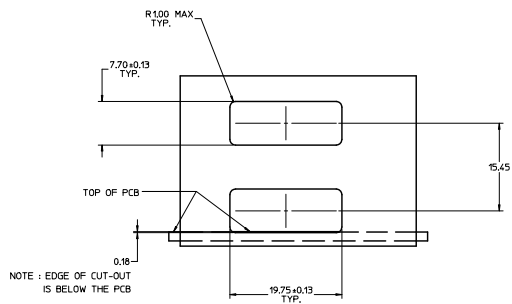
KEYING OPTIONS		
PART NUMBER	KEY POSITION	KEYWAY POSITION
75758-0101	NONE	NONE
75758-0102	#3	NONE
75758-0103	#4	NONE
75758-0104	#4	#3 & #5
75758-0105	NONE	#3 & #5
75758-0106	#4	#3
75758-0107	NONE	#3
75758-0108	#4	#5
75758-0109	NONE	#5
75758-0110	#2 & #4	NONE
75758-0111	#4 & #6	NONE



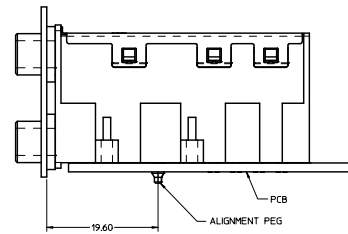
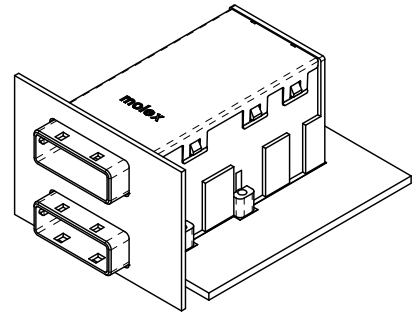
NOTES :

- MATERIALS :  
CONNECTOR HOUSING - HIGH TEMP THERMOPLASTIC,  
GLASS-FILLED, UL94V-0,  
COLOR - BLACK  
EM HOUSING - DIE CAST ALLOY, NICKEL PLATED FINISH  
COVER - STAINLESS STEEL ALLOY  
CPI TERMINALS - COPPER ALLOY  
EM GASKETS - CONDUCTIVE POLYMER
- TERMINAL PLATING :  
CONTACT AREA - 0.76μ MIN GOLD OVER 2.54μ MIN NICKEL  
COMPLIANT AREA - 0.76-152μ TIN/LEAD (90/10) OVER  
2.54μ MIN NICKEL.
- PACKAGING SPECIFICATION : TRAY PACK (TBD)
- REFER TO PS-7558A-001 PRODUCT SPEC FOR ALL ELECTRICAL, MECHANICAL  
AND ENVIRONMENTAL SPECIFICATIONS.
- THIS CONNECTOR IS DESIGNED TO MATE WITH MOLEX CABLE SERIES 74548.
- REQUIRES MOUNTING HARDWARE : (4) M2 X 8MM CAP SCREWS OR EQUIV.  
MAX. TORQUE 2.3 in/lbs.

REV KEYING -010 & -011 ENVS-010-010-010/011 CHYCKLANG 01/23/08 APPROVED BY MBANAKIS 01/23/08	QUALITY SYMBOLS	GENERAL TOLERANCES (UNLESS SPECIFIED)	DIMENSION STYLE	SCALE	DESIGN UNITS	THIRD ANGLE PROJECTION	
		4 PLACES ±.--- INCH	MM ONLY	2:1	METRIC		
		3 PLACES ±.--- INCH					
		1 PLACE ±.25 INCH					
		DRAFT WHERE APPLICABLE MUST REMAIN WITHIN DIMENSIONS					
			DRAWN BY JJANTELEZIO DATE 01/23/08				
			CHECKED BY KLANG DATE 01/23/08				
			APPROVED BY MBANAKIS DATE 01/23/08				
			MATERIAL NO. 75758-010				
			DOCUMENT NO. SD-75758-010				
			THIS DRAWING CONTAINS INFORMATION THAT IS PROPRIETARY TO MOLEX INCORPORATED AND SHOULD NOT BE USED WITHOUT WRITTEN PERMISSION				

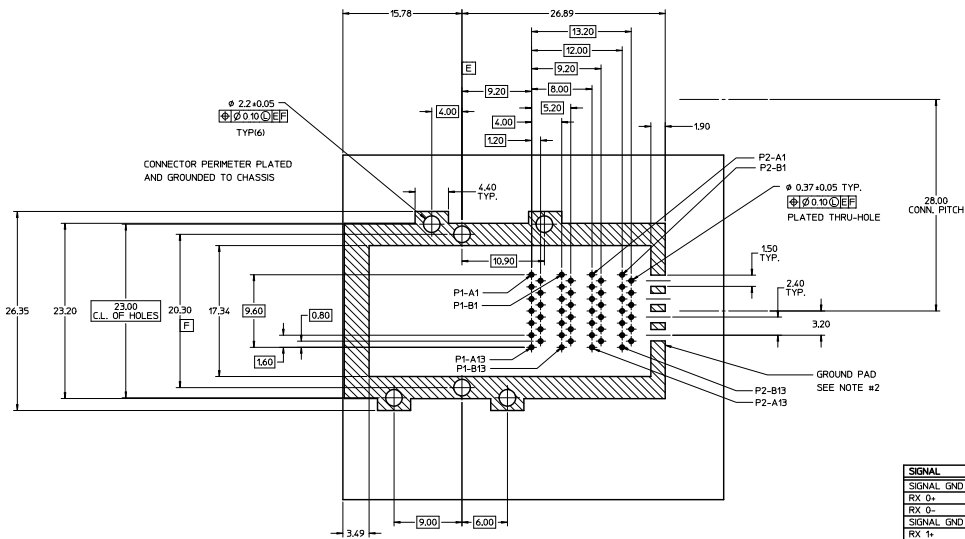


**PANEL CUT-OUT**  
 MAXIMUM THICKNESS = 150  
 (NOT SUPPLIED)



**ASSEMBLY VIEW**

SEE SHEET 1 REV. 01/23/08 DESIGNED BY: J. JANTELEZIO CHECKED BY: KLANG APPROVED BY: MBANAKIS	QUALITY SYMBOLS ▽=0 ▽=0.25	GENERAL TOLERANCES (UNLESS SPECIFIED) 4 PLACES ±--- ±--- 3 PLACES ±--- ±--- 2 PLACES ±0.25 ±--- 1 PLACE ±0.25 ±--- ANGULAR ±1/2°	DIMENSION STYLE MM ONLY	SCALE 3:1	DESIGN UNITS METRIC	THIRD ANGLE PROJECTION	
	DRAWN BY: J. JANTELEZIO CHECKED BY: KLANG APPROVED BY: MBANAKIS	DATE: 01/23/08 DATE: 01/23/08 DATE: 01/23/08	TITLE IPASS STACKED 26/26 CIRCUIT CONNECTOR	MATERIAL NO. 75758-010	DOCUMENT NO. SD-75758-010	SHEET NO. 2 OF 3	THIS DRAWING CONTAINS INFORMATION THAT IS PROPRIETARY TO MOLEX INCORPORATED AND SHOULD NOT BE USED WITHOUT WRITTEN PERMISSION
	DRAFT WHERE APPLICABLE MUST REMAIN WITHIN DIMENSIONS						
	MOLEX INCORPORATED						



**RECOMMENDED PCB LAYOUT**

THICKNESS = 1.35mm MIN.

**NOTES:**

1. CROSS-HATCHED AREA MUST BE INCORPORATED IN THE FLAT ROCK PRESS-FIT TOOLING.
2. PLATE GROUND PAD WITH EMERSION SILVER OR GOLD.
3. RECOMMENDED DRILL SIZE FOR 0.37 $\phi$  FINISHED PTH IS 0.457 $\phi$  (#77 DRILL)
4. RECOMMENDED ANNULAR RING AROUND 0.37 $\phi$  FINISHED PTH IS 0.73 $\phi$

SIGNAL	SIGNAL PIN	SIGNAL	SIGNAL PIN
SIGNAL GND	Pn-A1	SIGNAL GND	Pn-B1
RX 0+	Pn-A2	TX 0+	Pn-B2
RX 0-	Pn-A3	TX 0-	Pn-B3
SIGNAL GND	Pn-A4	SIGNAL GND	Pn-B4
RX 1+	Pn-A5	TX 1+	Pn-B5
RX 1-	Pn-A6	TX 1-	Pn-B6
SIGNAL GND	Pn-A7	SIGNAL GND	Pn-B7
RX 2+	Pn-A8	TX 2+	Pn-B8
RX 2-	Pn-A9	TX 2-	Pn-B9
SIGNAL GND	Pn-A10	SIGNAL GND	Pn-B10
RX 3+	Pn-A11	TX 3+	Pn-B11
RX 3-	Pn-A12	TX 3-	Pn-B12
SIGNAL GND	Pn-A13	SIGNAL GND	Pn-B13

Pn - 'n' DENOTES PORT NUMBER

SEE SHEET 1 ERMAS/06-3168 20/06/11 CHIKOKIANG APPROVED BY 20/07/16	QUALITY SYMBOLS	GENERAL TOLERANCES (UNLESS SPECIFIED)	DIMENSION STYLE	SCALE	DESIGN UNITS	THIRD ANGLE PROJECTION
	$\nabla=0$ $\nabla=0$	4 PLACES ± --- INCH 3 PLACES ± --- INCH 2 PLACES ± 0.25 INCH 1 PLACE ± 0.25 INCH ANGULAR ±1/2°	MM ONLY	2:1	METRIC	<input checked="" type="checkbox"/> THIRD ANGLE PROJECTION
	DRAWN BY	CHECKED BY	APPROVED BY	DATE	TITLE	
	JJANTELEZ IO	KLANG	MBANAKIS	01/23/08	IPASS STACKED 26/26 CIRCUIT CONNECTOR	
DRAFT WHERE APPLICABLE MUST REMAIN WITHIN DIMENSIONS		MATERIAL NO.	DOCUMENT NO.	SHEET NO.		
		75758-010	SD-75758-010	3 OF 3		
THIS DRAWING CONTAINS INFORMATION THAT IS PROPRIETARY TO MOLEX INCORPORATED AND SHOULD NOT BE USED WITHOUT WRITTEN PERMISSION						