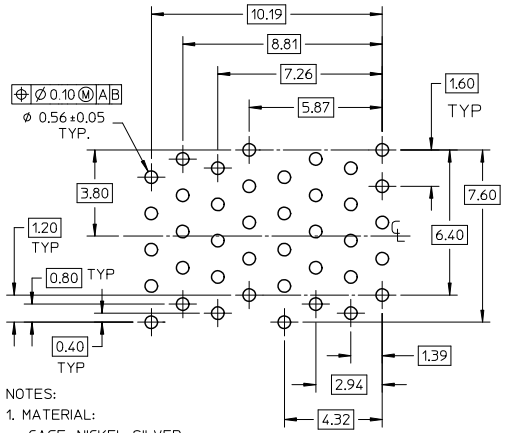
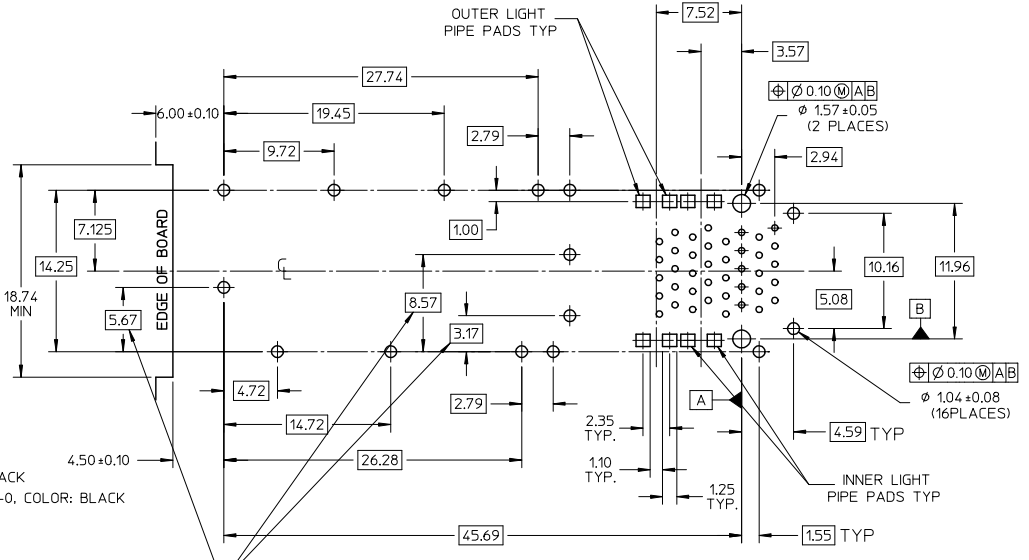


<b>ADD NOTE 8</b> EC NO: UCP2008-0867 DRWNS:BARBA 2007/11/13 CHKD:BARBER 2007/11/30 APPR:SHILLER 2007/12/03 D REV	QUALITY SYMBOLS ▽=0 ▽=0	GENERAL TOLERANCES (UNLESS SPECIFIED) <table border="1"> <tr> <th></th> <th>mm</th> <th>INCH</th> </tr> <tr> <td>4 PLACES ±</td> <td>---</td> <td>±---</td> </tr> <tr> <td>3 PLACES ±</td> <td>---</td> <td>±---</td> </tr> <tr> <td>2 PLACES ±</td> <td>0.25</td> <td>±---</td> </tr> <tr> <td>1 PLACE ±</td> <td>---</td> <td>±---</td> </tr> </table>		mm	INCH	4 PLACES ±	---	±---	3 PLACES ±	---	±---	2 PLACES ±	0.25	±---	1 PLACE ±	---	±---	DIMENSION STYLE <b>MM ONLY</b>	SCALE <b>3:1</b>	DESIGN UNITS <b>METRIC</b>	THIRD ANGLE PROJECTION
		mm	INCH																		
	4 PLACES ±	---	±---																		
	3 PLACES ±	---	±---																		
2 PLACES ±	0.25	±---																			
1 PLACE ±	---	±---																			
DRAFT WHERE APPLICABLE MUST REMAIN WITHIN DIMENSIONS	DRAWN BY JLONG DATE 08-28-03	CHECKED BY JLONG DATE 08-28-03	APPROVED BY REGNIER DATE 08-29-03	MATERIAL NO. <b>753100001</b>	DOCUMENT NO. <b>SD-75310-100</b>	TITLE <b>STACKED SFP 2X1 TALL ASSEMBLY WITH SOLDER TAILS AND LIGHT PIPES</b>															
				MOLEX INCORPORATED		SHEET NO. <b>1 OF 3</b>															
				THIS DRAWING CONTAINS INFORMATION THAT IS PROPRIETARY TO MOLEX INCORPORATED AND SHOULD NOT BE USED WITHOUT WRITTEN PERMISSION																	

**TERMINAL TAIL PATTERN**



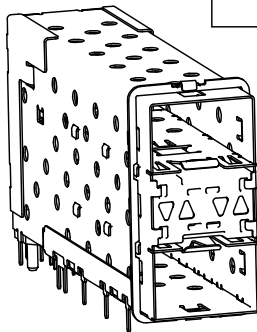
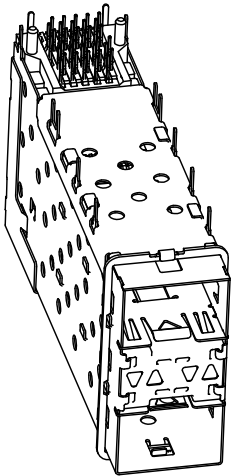
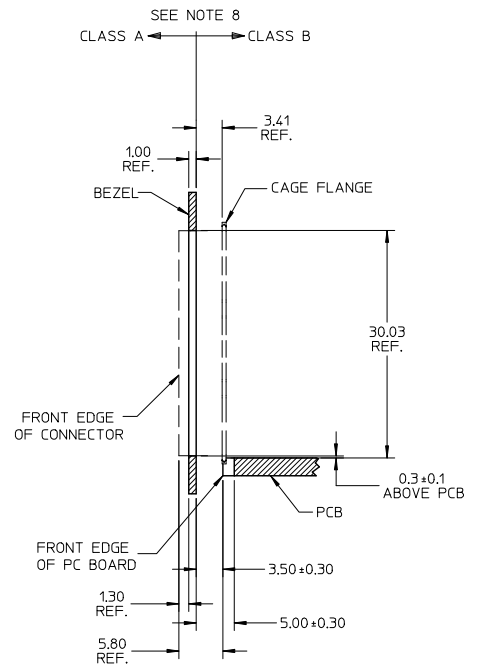
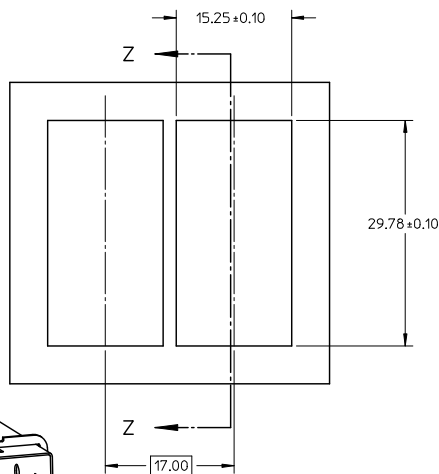
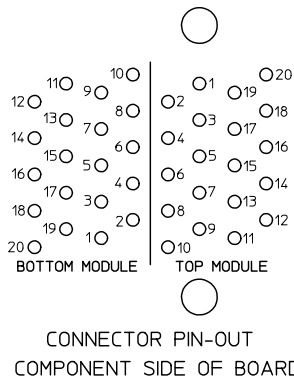
- NOTES:**
- MATERIAL:**  
 CAGE: NICKEL SILVER  
 SFP HOUSING: GLASS FILLED THERMOPLASTIC, UL: 94 V-0, COLOR: BLACK  
 OVERMOLD FOR TERMINALS: GLASS FILLED THERMOPLASTIC, UL: 94 V-0, COLOR: BLACK  
 LIGHT PIPE HOUSING: ZINC  
 LIGHT PIPE: POLYCARBONATE UL: 94 V-0, COLOR: CLEAR  
 TERMINALS: BRASS  
 GASKET: CONDUCTIVE SILICONE
  - FINISHES:**  
 LIGHT PIPE HOUSING: 2.03 MICROMETERS MINIMUM NICKEL OVER 0.76 MICROMETERS MINIMUM COPPER  
 TERMINALS:  
 CONTACT AREA: 0.76 MICROMETERS MINIMUM HARD GOLD OVER NICKEL,  
 SOLDER TAIL: 1.90 MICROMETERS MINIMUM TIN OVER NICKEL.
  - REFER TO PS-75310-001 PRODUCT SPEC FOR ALL ELECTRICAL, MECHANICAL AND ENVIRONMENTAL SPECIFICATIONS.
  - REFER TO PK-75310-001 FOR ALL PACKAGING SPECIFICATIONS.
  - PROCESSING: WAVE SOLDER (NOT REFLOW COMPATIBLE).
  - LIGHT PIPE PAD LAYOUT SHOWN IS FOR AN 0805 LOW-PROFILE LED PACKAGE. FOR OTHER RECOMMENDED LAYOUTS REFER TO MOLEX'S REPORT TS-75310-001.
  - THE CURVED TAILS THAT GO INTO THE HOLES LOCATED BY THESE DIMENSIONS ARE BEING ELIMINATED. TO ACCOMMODATE THIS CONVERSION, IT IS RECOMMENDED THAT BOARDS DESIGNED TO THIS PRINT REVISION INCLUDE THESE HOLES.
  - PART COMPLIES WITH COSMETIC SPECIFICATION PS-45499-002. SEE SHEET 3 SECTION Z-Z FOR SURFACE CLASSIFICATIONS. UNDERSIDE OF CAGE COMPLIES WITH CLASS "C".



**RECOMMENDED PCB LAYOUT**  
 PCB THICKNESS 2.36  
 COMPONENT SIDE

SEE NOTE 7

ADD NOTE 8 EC NO. UCP2008-0667 DRWNS:BARBA 2007/11/13 CHKCD:BARBER 2007/11/30 APPR:SMILLER 2007/12/03	QUALITY SYMBOLS ▽=0 ▽=0	GENERAL TOLERANCES (UNLESS SPECIFIED)		DIMENSION STYLE MM ONLY		SCALE 3:1	DESIGN UNITS METRIC	THIRD ANGLE PROJECTION	
		4 PLACES ± --- ± ---	3 PLACES ± --- ± ---	2 PLACES ± 0.25 ± ---	1 PLACE ± --- ± ---	ANGULAR ± 5 °	DRAWN BY JLONG	DATE 08-28-03	TITLE STACKED SFP 2X1 TALL ASSEMBLY WITH SOLDER TAILS AND LIGHT PIPES MOLEX INCORPORATED
		DRAFT WHERE APPLICABLE MUST REMAIN WITHIN DIMENSIONS		MATERIAL NO. 753100001	DOCUMENT NO. SD-75310-100	SHEET NO. 2 OF 3			
		THIS DRAWING CONTAINS INFORMATION THAT IS PROPRIETARY TO MOLEX INCORPORATED AND SHOULD NOT BE USED WITHOUT WRITTEN PERMISSION							



SECTION Z-Z

COSMETIC CLASS EC NO: UCP2008-0867 DRWN: MSBARRA - 2007/11/13 CHKD: RBARKER - 2007/11/30 APPR: SMILLER - 2007/12/03	QUALITY SYMBOLS	GENERAL TOLERANCES (UNLESS SPECIFIED)	SCALE 2:1	DESIGN UNITS METRIC	THIRD ANGLE PROJECTION	REVISE ON CAD ONLY	
	DESCRIPTION ▽ - 0 ▽ - 0	mm INCH	DIMENSION STYLE MM ONLY	TITLE			
		4 PLACES ± --- ± ---	DRAWN BY JLONG	DATE 08-28-03	STACKED SFP 2X1 TALL ASSEMBLY WITH SOLDER TAILS AND LIGHT PIPES		
		3 PLACES ± --- ± ---	CHECKED BY JLONG	DATE 08-28-03	MATERIAL NO. 753100001		
2 PLACES ± 0.25 ± ---	APPROVED BY REGNIER	DATE 08-29-03	DOCUMENT NO. SD-75310-100	SHEET NO. 3 OF 3	MOLEX INCORPORATED		
1 PLACE ± --- ± ---	DRAFT WHERE APPLICABLE MUST REMAIN WITHIN DIMENSIONS		THIS DRAWING CONTAINS INFORMATION THAT IS PROPRIETARY TO MOLEX INCORPORATED AND SHOULD NOT BE USED WITHOUT WRITTEN PERMISSION				