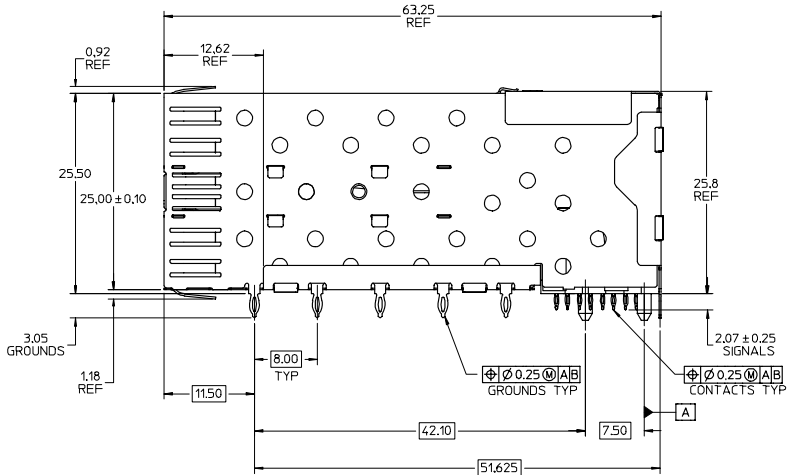
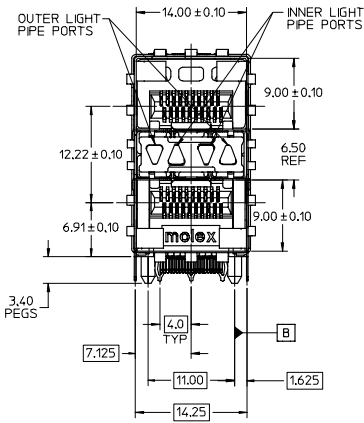


12 11 10 9 8 7 6 5 4 3 2 75640



NOTES

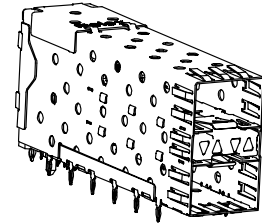
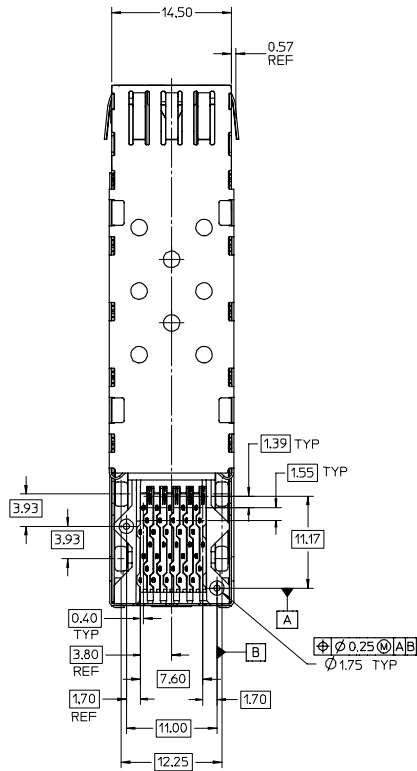
- MATERIAL:
 CAGE: NICKEL SILVER, THICKNESS: 0.25mm
 CONNECTOR HOUSING: GLASS FILLED HIGH TEMP PLASTIC, COLOR: BLACK
 OVERMOLDED TERMINAL HOUSING: GLASS FILLED HIGH TEMP PLASTIC, COLOR: BLACK
 TERMINALS: BRASS
 LIGHT PIPES: POLYCARBONITE, 94 V-0, CLEAR
 LIGHT PIPE HOUSING: ZINC
- FINISH
 LIGHT PIPE HOUSING: 150 MICRONS NICKEL OVER 150 MICRONS COPPER
 TERMINALS: CONTACT AREA: 0.76 MICRONS MIN. HARD GOLD OVER 1.27 MICRONS MIN. NICKEL.
 COMPLIANT TAIL - TIN/LEAD OPTION: 0.76 - 1.52 MICRONS 90/10 TIN/LEAD OVER 0.76 - 1.52 MICRONS NICKEL
 COMPLIANT TAIL - TIN OPTION: 0.76 - 1.52 MICRONS TIN OVER 0.76 - 1.52 MICRONS NICKEL
- REFER TO PS-75310-001 PRODUCT SPEC FOR ALL ELECTRICAL, MECHANICAL, AND ENVIRONMENTAL SPECIFICATIONS.
- LIGHT PIPE PAD LAYOUT IS FOR 0805 LOW-PROFILE LED PACKAGE. FOR OTHER RECOMMENDED LAYOUTS REFER TO MOLEX'S REPORT TS-75310-001.
- REFER TO PK-75462-001 FOR ALL PACKAGING SPECIFICATIONS.
- THE CURVED TAILS THAT GO INTO THE HOLES LOCATED BY THESE DIMENSIONS ARE BEING ELIMINATED. TO ACCOMMODATE THIS CONVERSION, IT IS RECOMMENDED THAT BOARDS DESIGNED TO THIS PRINT REVISION INCLUDE THESE HOLES.
- PART COMPLIES WITH COSMETIC SPECIFICATION PS-45499-002. SEE SHEET 4 SECTION Z-Z FOR SURFACE CLASSIFICATIONS. UNDERSIDE OF CAGE COMPLIES WITH CLASS "C".

PART NUMBER	DESCRIPTION	VIEW	COMPLIANT TAIL PLATING
75640-0001	4 PORT LIGHT PIPE	SEE PG 2	TIN LEAD
75640-0002	INNER 2 PORTS	SEE PG 2	TIN LEAD
75640-0003	OUTER 2 PORTS	SEE PG 2	TIN LEAD
75640-5001	4 PORT LIGHT PIPE	SEE PG 2	TIN
75640-5002	INNER 2 PORTS	SEE PG 2	TIN
75640-5003	OUTER 2 PORTS	SEE PG 2	TIN

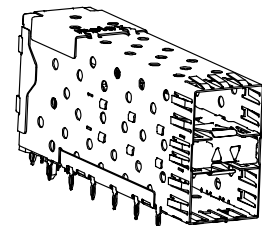
ADD NOTE 7 EC NO: UCP2008-0867 DRWNSBARRA 2007/11/13 CHKDBARKER 2007/11/30 APPR:SWILLER 2007/12/03	QUALITY SYMBOLS	GENERAL TOLERANCES (UNLESS SPECIFIED)	SCALE 3:1	DESIGN UNITS METRIC	THIRD ANGLE PROJECTION	REVISE ON CAD ONLY	
	0.05 0.10	mm	INCH	DIMENSION STYLE MM ONLY			
		4 PLACES ± ---	± ---	TITLE STACKED SFP 2X1 MEDIUM HEIGHT ASS'Y, PRESS-FIT TAILS WITH LIGHT PIPES			
		3 PLACES ± ---	± ---	DRAWN BY JLONG DATE 05-15-2004			
2 PLACES ± 0.13	± ---	CHECKED BY JLONG DATE 04-16-2004					
1 PLACE ± 0.25	± ---	APPROVED BY KREGNIER DATE 04-19-2004					
DRAFT WHERE APPLICABLE MUST REMAIN WITHIN DIMENSIONS		MATERIAL NO. MOLEX INCORPORATED		DOCUMENT NO. SD-75640-001		SHEET NO. 1 OF 4	
THIS DRAWING CONTAINS INFORMATION THAT IS PROPRIETARY TO MOLEX INCORPORATED AND SHOULD NOT BE USED WITHOUT WRITTEN PERMISSION							

td_frame_C-B1 rev. B1 2000/08/01

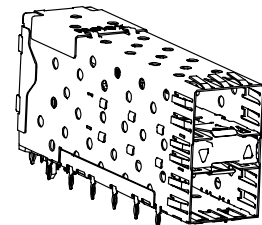
11 10 9 8 7 6 5 4 3 2 1



756400001 & 756405001
WITH 4 LIGHT PIPE PORTS

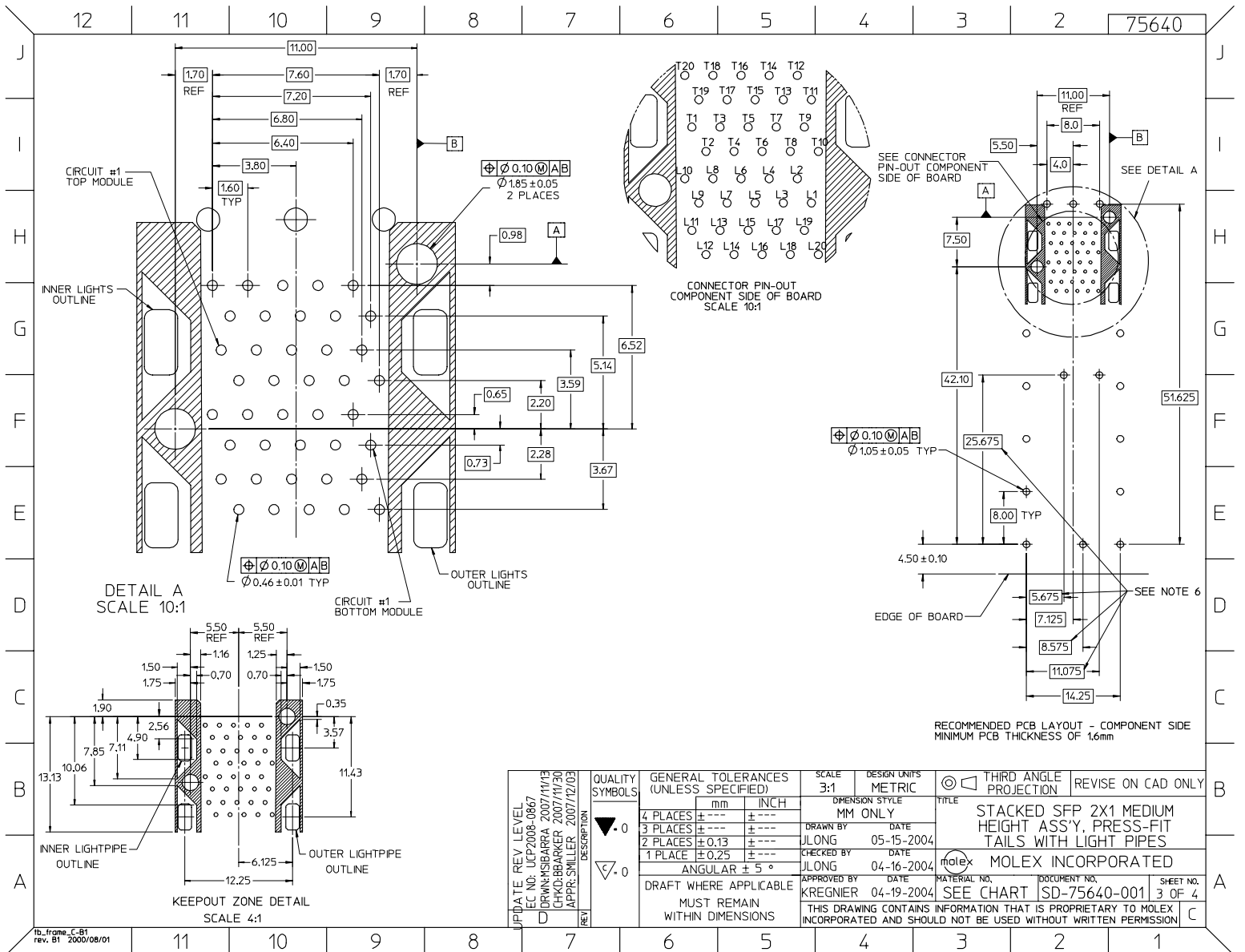


756400002 & 756405002
WITH INNER LIGHT PIPE PORTS

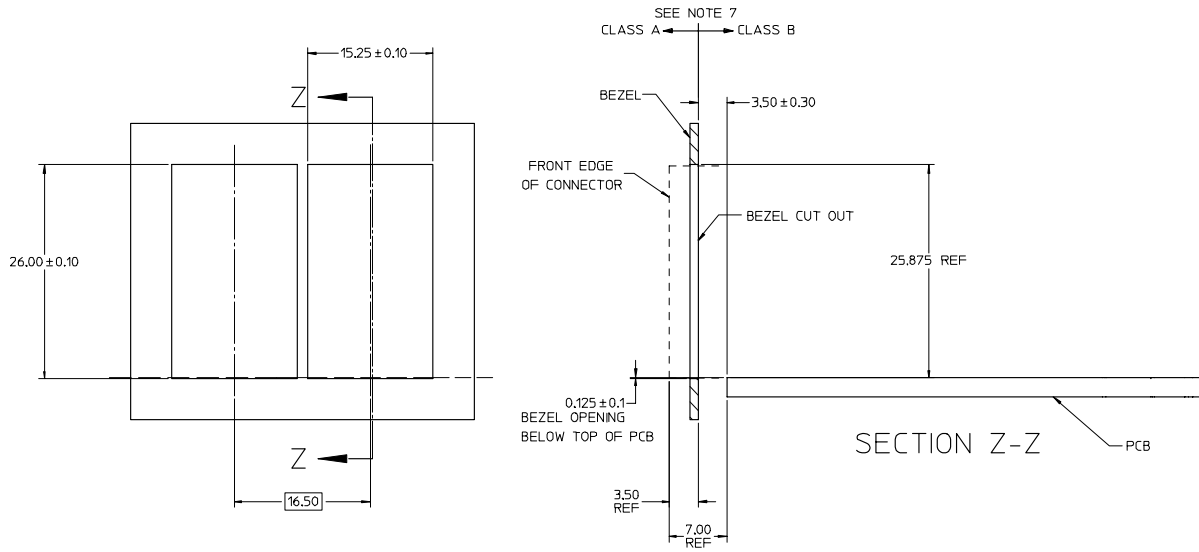


756400003 & 756405003
WITH OUTER LIGHT PIPE PORTS

UPDATE REV LEVEL EC NO: UCP2008-0867 D ORWINSBARRA 2007/11/13 CHKD:BARKER 2007/11/30 APPR:SMILLER 2007/12/03	QUALITY SYMBOLS	GENERAL TOLERANCES (UNLESS SPECIFIED)	SCALE 3:1	DESIGN UNITS METRIC	THIRD ANGLE PROJECTION	REVISE ON CAD ONLY
	▼ 0 ∇ 0	4 PLACES ± --- ± --- 3 PLACES ± --- ± --- 2 PLACES ± 0.13 ± --- 1 PLACE ± 0.25 ± --- ANGULAR ± 5°	mm INCH DIMENSION STYLE MM ONLY	DRAWN BY JLONG DATE 05-15-2004 CHECKED BY JLONG DATE 04-16-2004 APPROVED BY KREGNIER DATE 04-19-2004	TITLE STACKED SFP 2X1 MEDIUM HEIGHT ASS'Y, PRESS-FIT TAILS WITH LIGHT PIPES MOLEX INCORPORATED	
	DRAFT WHERE APPLICABLE	MUST REMAIN WITHIN DIMENSIONS		MATERIAL NO. SEE CHART DOCUMENT NO. SD-75640-001 SHEET NO. 2 OF 4		
				THIS DRAWING CONTAINS INFORMATION THAT IS PROPRIETARY TO MOLEX INCORPORATED AND SHOULD NOT BE USED WITHOUT WRITTEN PERMISSION		



fb...frame_C-B1
rev. B1 2006/08/01



BEZEL CUT-OUT CENTER SPACING DETAIL
BEZEL THICKNESS 0.8-2.6

COSMETIC CLASS IEC NO: UCP2008-0867 DRW:MSBARRA 2007/11/13 CHK:BBARKER 2007/11/30 APPR:SMILLER 2007/12/03	QUALITY SYMBOLS	GENERAL TOLERANCES (UNLESS SPECIFIED)	SCALE 3:1	DESIGN UNITS METRIC	THIRD ANGLE PROJECTION	REVISE ON CAD ONLY
	▼ 0 ∇ 0	4 PLACES ± --- ± --- 3 PLACES ± --- ± --- 2 PLACES ± 0.13 ± --- 1 PLACE ± 0.25 ± ---	DIMENSION STYLE MM ONLY	DRAWN BY JLONG DATE 05-15-2004	TITLE STACKED SFP 2X1 MEDIUM HEIGHT ASS'Y, PRESS-FIT TAILS WITH LIGHT PIPES	
		ANGULAR ± 5°	CHECKED BY JLONG DATE 04-16-2004	MOLEX INCORPORATED		
		DRAFT WHERE APPLICABLE MUST REMAIN WITHIN DIMENSIONS	APPROVED BY KREGNIER DATE 04-19-2004	MATERIAL NO. SEE CHART DOCUMENT NO. SD-75640-001 SHEET NO. 4 OF 4	THIS DRAWING CONTAINS INFORMATION THAT IS PROPRIETARY TO MOLEX INCORPORATED AND SHOULD NOT BE USED WITHOUT WRITTEN PERMISSION	