

MATERIAL (RoHS COMPLIANCE):

CAGE:  
COPPER ALLOY

PLATING OPTION  
100µ" [2.54 µm] MIN. NICKEL  
PLATING.

DUST COVER  
THERMOPLASTIC, COLOR BLACK.

PACKAGING:  
TAPE AND REEL OR TRAY PACKAGING.

TEMPERATURE RANGE:  
-40°C TO +85°C

PART NUMBER  
(P/N DOES NOT  
INCLUDE PACKAGING TYPE  
AND DUST COVER OPTION)

DATE CODE

OPTIONAL DUST COVER  
(SHIPPED LOOSE)  
P/N U77-1140-8020P



AMPHENOL PART NUMBER CONFIGURATION

U77 - A 1 6 1 8 - 2 X 0 X

PACKAGING

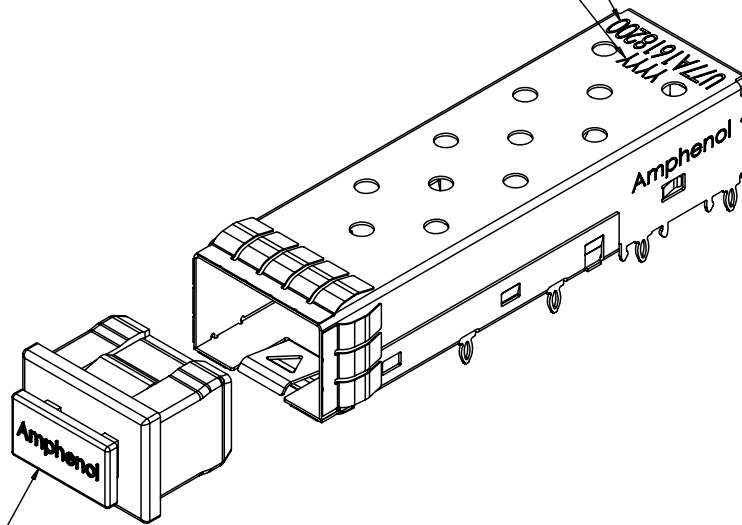
1 = TRAY PACKAGING  
T = TAPE & REEL PACKAGING

OPTIONAL DUST COVER

0 = NO DUST COVER  
D = WITH DUST COVER (SHIP LOOSE)

REVISIONS				
SYM	ZONE	ECN, ERN NO.	DATE	APPRD.
B		UPDATED	JAN10/08	
C		NEW PART NUMBER	JAN28/08	
D		UPDATED	JUN18/08	

THIS IS A CAD DRAWING. DO NOT MANUALLY REVISE.

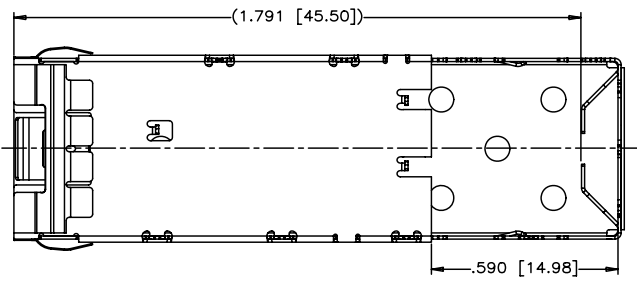
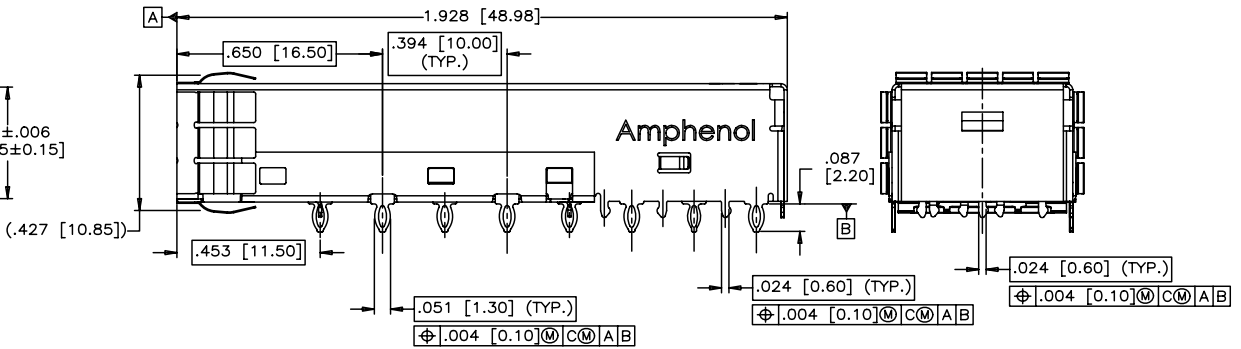
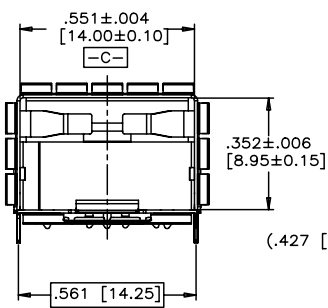
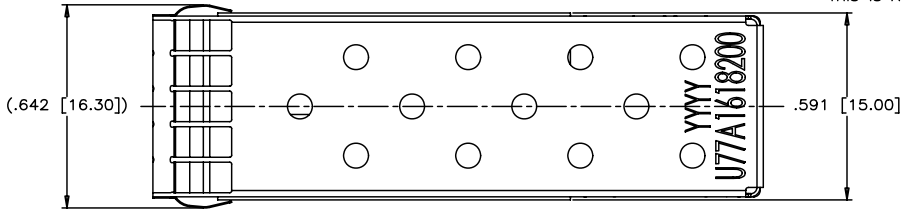


DRAWN	J.SI	DATE	2007/03/30	Amphenol Canada Corp.	
DESIGNED	J.SI	DATE	2007/03/30		
CHECKED	X			TITLE	
				SFP+ 1X1 CAGE WITH 8 PRESS FIT / 12 EMI PINS	
DWG. APPRD.				DWG	REV.
ENG. REL. NO.				A	D
REF.	X			DRAWING NO. P-U77-A1618-2X0X	
DIMENSIONS ARE IN		CODE ID. NO.	03554	SCALE	2:1
INCHES [mm]				WT.	-----
				SURF.	-----
				SHEET 1 OF 5	

THIS DOCUMENT CONTAINS PROPRIETARY INFORMATION AND SUCH INFORMATION  
MAY NOT BE DISCLOSED TO OTHERS FOR ANY PURPOSE OR USED FOR MANUFACTURING  
PURPOSES WITHOUT WRITTEN PERMISSION FROM AMPHENOL CANADA CORP.

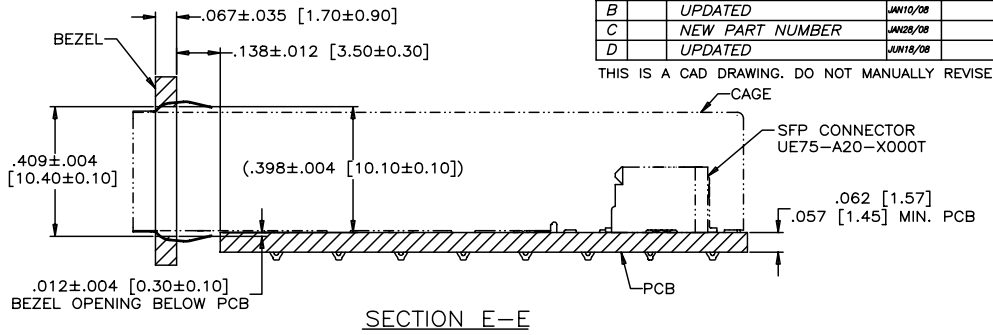
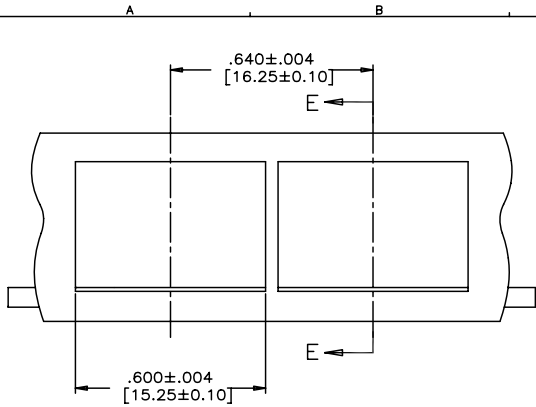
REVISIONS				
SYM	ZONE	ECN, ERN NO.	DATE	APPRD.
B		UPDATED	JAN10/08	
C		NEW PART NUMBER	JUN28/08	
D		UPDATED	JUN18/08	

THIS IS A CAD DRAWING. DO NOT MANUALLY REVISE.

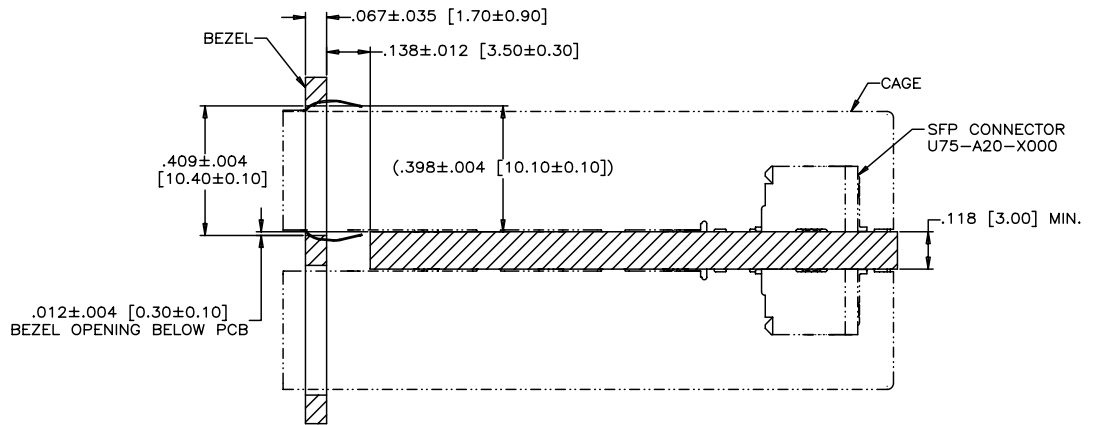
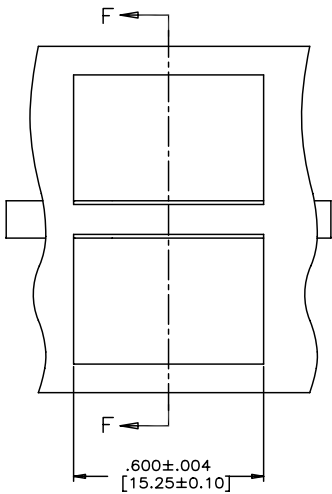


DRAWN	J.SI	DATE	2007/03/30	Amphenol Canada Corp.	
DESIGNED	J.SI	DATE	2007/03/30		
CHECKED	X		X	TITLE	
DWG. APPRD.				SFP+ 1X1 CAGE	
ENG. REL. NO.				WITH 8 PRESS FIT / 12 EMI PINS	
REF.	X	DWG.	A	DRAWING NO.	P-U77-A1618-2X0X
DIMENSIONS ARE IN INCHES [mm]		CODE ID. NO.	03554	SCALE	2:1
		WT.	-----	SURF.	-----
				SHEET	2 OF 5

THIS DOCUMENT CONTAINS PROPRIETARY INFORMATION AND SUCH INFORMATION MAY NOT BE DISCLOSED TO OTHERS FOR ANY PURPOSE OR USED FOR MANUFACTURING PURPOSES WITHOUT WRITTEN PERMISSION FROM AMPHENOL CANADA CORP.



RECOMMENDED BEZEL DESIGN  
(ONE SIDE CAGE MOUNTING)



RECOMMENDED BEZEL DESIGN  
(BELLY TO BELLY CAGE MOUNTING)

REVISIONS				
SYM	ZONE	ECN, ERN NO.	DATE	APPRD.
B		UPDATED	JAN10/08	
C		NEW PART NUMBER	JAN28/08	
D		UPDATED	JUN18/08	

THIS IS A CAD DRAWING. DO NOT MANUALLY REVISE.

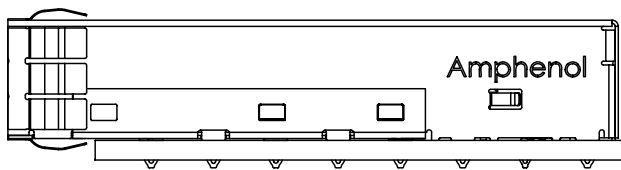
DRAWN	J.SI	DATE	2007/03/30	Amphenol Canada Corp.	
DESIGNED	J.SI	DATE	2007/03/30		
CHECKED	X			TITLE	
				SFP+ 1X1 CAGE WITH 8 PRESS FIT / 12 EMI PINS	
DWG. APPRD.				DWG	DRAWING NO.
ENG. REL. NO.				A	P-U77-A1618-2X0X
REF.	X				REV.
DIMENSIONS ARE IN			CODE ID. NO.	SCALE	2:1
INCHES [mm]			03554	WT.	-----
				SURF.	-----
				SHEET	3 OF 5

THIS DOCUMENT CONTAINS PROPRIETARY INFORMATION AND SUCH INFORMATION MAY NOT BE DISCLOSED TO OTHERS FOR ANY PURPOSE OR USED FOR MANUFACTURING PURPOSES WITHOUT WRITTEN PERMISSION FROM AMPHENOL CANADA CORP.

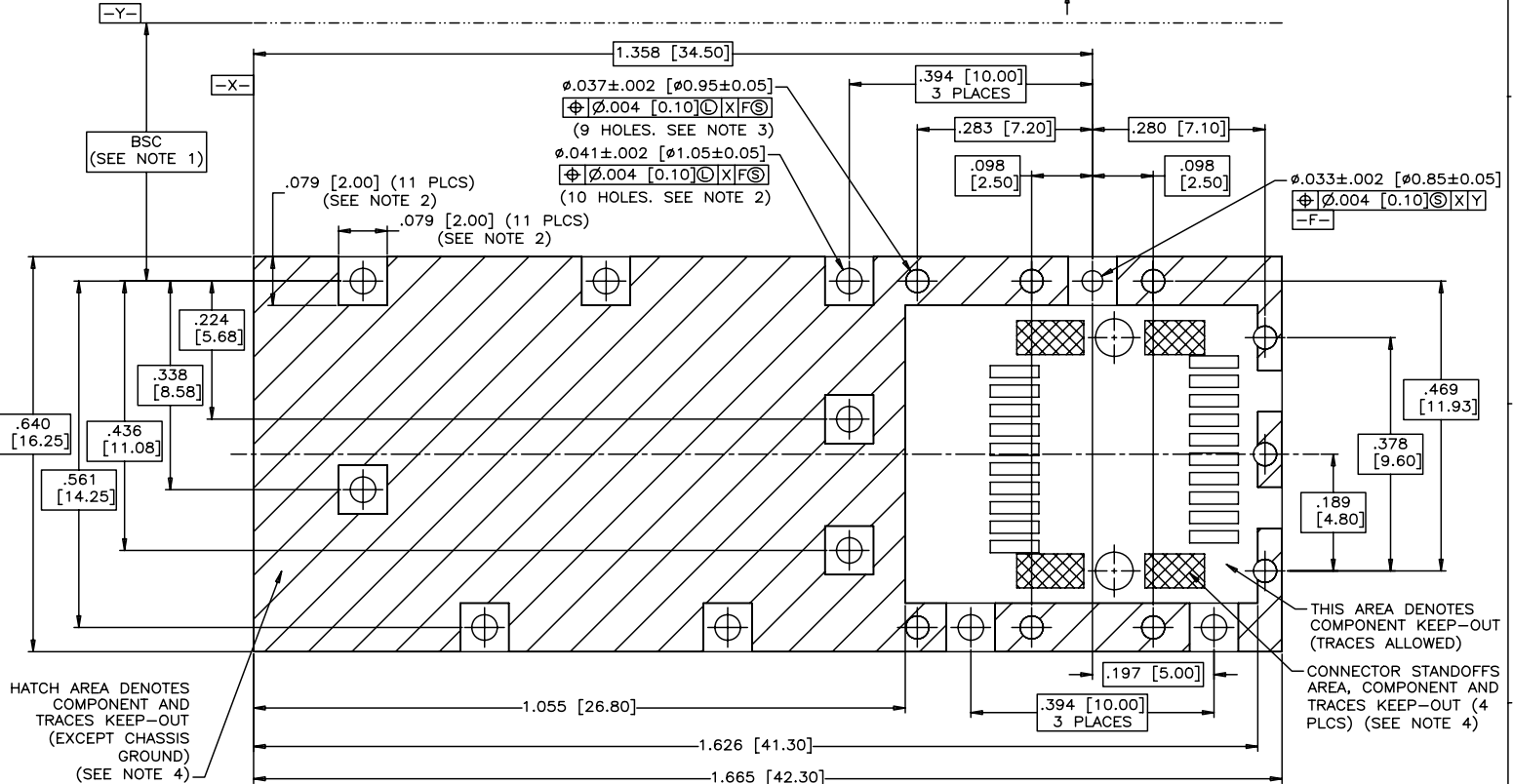
- NOTES:  
 1. DATUM AND BASIC DIMENSIONS ESTABLISHED BY CUSTOMER  
 2. PADS AND VIAS ARE CHASSIS GROUND, 11 PLACES.  
 3. THRU HOLES, PLATING OPTIONAL.  
 4. SEE DRAWINGS P-U75-A20-X000X FOR CONNECTOR PCB LAYOUT.

REVISIONS				
SYM	ZONE	ECN, ERN NO.	DATE	APPRD.
B		UPDATED	JAN10/08	
C		NEW PART NUMBER	JUN28/08	
D		UPDATED	JUN19/08	

THIS IS A CAD DRAWING. DO NOT MANUALLY REVISE.



.062 [1.57]  
 .057 [1.45] MIN. PCB



**RECOMMENDED SFP HOST BOARD LAYOUT**  
 (ONE SIDE CAGE MOUNTING)  
 (SCALE 4:1)

DRAWN J.S/ DATE 2007/03/30		<b>Amphenol Canada Corp.</b>		
DESIGNED J.S/ DATE 2007/03/30	CHECKED X X	TITLE		
DWG. APPRD.		SFP+ 1X1 CAGE WITH 8 PRESS FIT / 12 EMI PINS		
ENG. REL. NO.	REF. X	DWG. A	DRAWING NO. P-U77-A1618-2X0X	REV. D
DIMENSIONS ARE IN INCHES [mm] CODE ID. NO. 03554		SCALE 2:1	WT. -----	SURF. -----

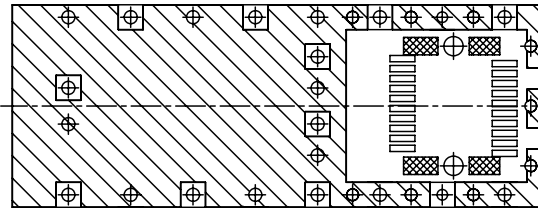
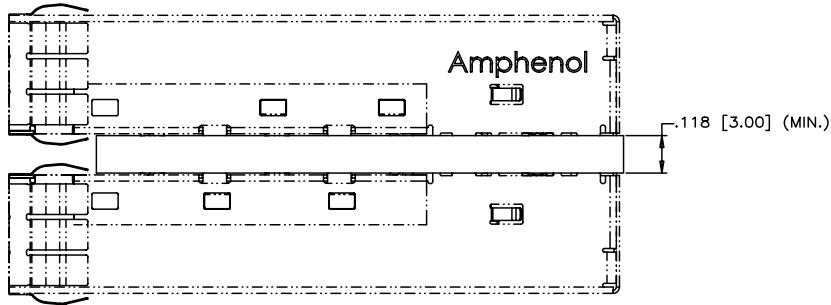
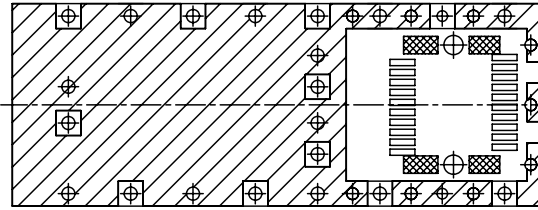
THIS DOCUMENT CONTAINS PROPRIETARY INFORMATION AND SUCH INFORMATION MAY NOT BE DISCLOSED TO OTHERS FOR ANY PURPOSE OR USED FOR MANUFACTURING PURPOSES WITHOUT WRITTEN PERMISSION FROM AMPHENOL CANADA CORP.

A B C D E F

A B C D E F

REVISIONS				
SYM	ZONE	ECN, ERN NO.	DATE	APPRD.
B		UPDATED	JAN10/08	
C		NEW PART NUMBER	JAN28/08	
D		UPDATED	JUN18/08	

THIS IS A CAD DRAWING. DO NOT MANUALLY REVISE.



RECOMMENDED SFP HOST BOARD LAYOUT  
(BELLY TO BELLY CAGE MOUNTING)

DRAWN	J.SI	DATE	2007/03/30	<b>Amphenol Canada Corp.</b>	
DESIGNED	J.SI	DATE	2007/03/30		
CHECKED	X			TITLE	
				SFP+ 1X1 CAGE WITH 8 PRESS FIT / 12 EMI PINS	
DWG. APPRD.				DWG.	DRAWING NO.
ENG. REL. NO.				A	P-U77-A1618-2X0X
REF.	X				REV.
DIMENSIONS ARE IN	INCHES [mm]	CODE ID. NO.	03554	SCALE	2:1
				WT.	-----
				SURF.	-----
					SHEET 5 OF 5

THIS DOCUMENT CONTAINS PROPRIETARY INFORMATION AND SUCH INFORMATION MAY NOT BE DISCLOSED TO OTHERS FOR ANY PURPOSE OR USED FOR MANUFACTURING PURPOSES WITHOUT WRITTEN PERMISSION FROM AMPHENOL CANADA CORP.

A B C D E F