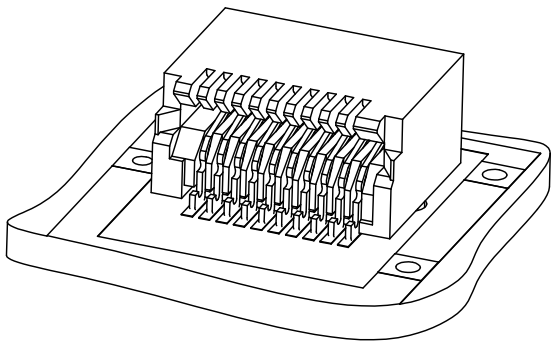


SALES ASSEMBLY DRAWINGS FOR SMALL FORM-FACTOR AND Z AXIS PLUGGABLE CONNECTORS

CKT SIZE	PART NUMBER	TOOLED	DESCRIPTION	'A'	'B'	'C'	'D'	MULTI-SOURCE AGREEMENT	CONNECTOR DRAWING	CIRCUIT BOARD DRAWING
20	74441-0001	YES	PLATED PER NOTE 2	1.10/.043	11.00/.433	9.40/.370	9.60/.378	SFP	PAGE 2	PAGE 3
	74441-0004	NO*	PLATED PER NOTE 2	0.76/.030						
	74441-0010	YES	PLATED PER NOTE 3	1.10/.043						
	74441-0014	NO*	PLATED PER NOTE 3	0.76/.030						
	74441-0021	YES	PLATED PER NOTE 4	1.10/.043						
	74441-0031	YES	PLATED PER NOTE 5	1.10/.043						
30	74441-0041	YES	PLATED PER NOTE 6	1.10/.043	15.00/.591	13.40/.528	13.60/.535	XFP	PAGE 2	PAGE 4
	74441-0007	YES	PLATED PER NOTE 2	1.10/.043						
	74441-0017	YES	PLATED PER NOTE 3	1.10/.043						
40	74441-0027	YES	PLATED PER NOTE 4	1.10/.043	19.00/.748	17.40/.685	17.60/.693		PAGE 2	PAGE 5
	74441-0005	YES	PLATED PER NOTE 2	1.10/.043						
	74441-0015	YES	PLATED PER NOTE 3	1.10/.043						
50	74441-0025	YES	PLATED PER NOTE 4	1.10/.043	23.00/.906	21.40/.843	21.60/.850		PAGE 2	PAGE 6
	74441-0008	YES	PLATED PER NOTE 2	1.10/.043						
	74441-0018	YES	PLATED PER NOTE 3	1.10/.043						
	74441-0028	YES	PLATED PER NOTE 4	1.10/.043						
	74441-0038	YES	PLATED PER NOTE 5	1.10/.043						
70	74441-0003	YES	PLATED PER NOTE 2	1.10/.043	31.00/1.220	29.40/1.157	29.60/1.165	XENPAK XPAK X2	PAGE 2	PAGE 7
	74441-0013	YES	PLATED PER NOTE 3	1.10/.043						
	74441-0023	YES	PLATED PER NOTE 4	1.10/.043						
	74441-0033	YES	PLATED PER NOTE 5	1.10/.043						

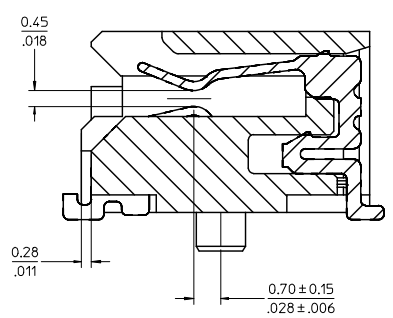
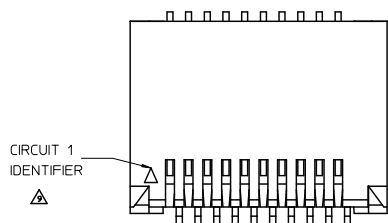
NOTES

- MATERIAL:  
HOUSING - HIGH TEMPERATURE THERMOPLASTIC GLASS FILLED, UL 94V-0, BLACK  
TERMINALS - COPPER ALLOY
- PLATING:  
CONTACT AREA - 0.38 μm MIN GOLD OVER 2.54 μm MIN NICKEL  
SOLDER FOOT AREA - 2.54 - 5.09 μm TIN OVER 2.54 μm MIN NICKEL.
- PLATING:  
CONTACT AREA - 0.76 μm MIN GOLD OVER 2.54 μm NICKEL  
SOLDER AREA - 2.54 - 5.09 μm TIN OVER 2.54 μm MIN NICKEL
- PLATING:  
CONTACT AREA - 0.76 μm MIN GOLD OVER 2.54 μm NICKEL; LUBRICATED  
SOLDER AREA: GOLD FLASH OVER 2.54 μm MIN NICKEL.
- PLATING:  
CONTACT AREA - 0.76 μm MIN GOLD OVER 2.54 μm NICKEL,  
SOLDER AREA: GOLD FLASH OVER 2.54 μm MIN NICKEL.
- PLATING:  
CONTACT AREA - 0.38 μm MIN GOLD OVER 2.54 μm NICKEL,  
SOLDER AREA: GOLD FLASH OVER 2.54 μm MIN NICKEL.
- TERMINAL SOLDER FEET TO BE COPLANAR WITHIN 0.10/.004 FOR 20, 30 AND 40 CIRCUIT CONNECTORS  
TERMINAL SOLDER FEET TO BE COPLANAR WITHIN 0.15/.006 FOR 70 CIRCUIT CONNECTOR
- \* CONTACT PLANT FOR MORE INFORMATION
- DATE CODE: 4 DIGIT (3 DIGIT DATE, 1 DIGIT YEAR)
- CIRCUIT 1 IDENTIFIER LOCATED ON ALL PART NUMBERS

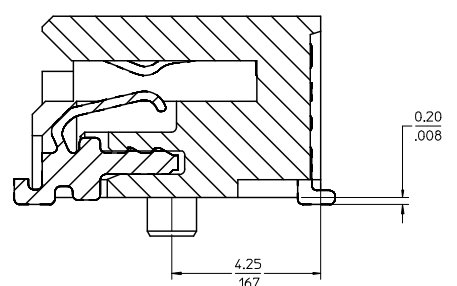
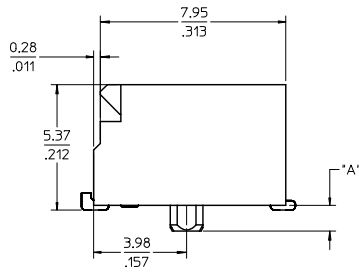
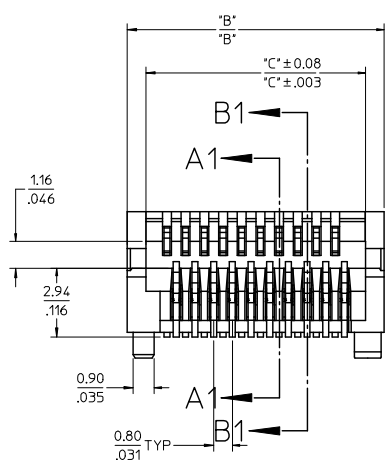


ADD -0041 EC NO: UCP2009-1455 DRWN:SBARRA 2009/01/15 CHKD:SMART 2009/01/15 APPR:SMILLER 2009/01/16 REV DESCRIPTION	QUALITY SYMBOLS	GENERAL TOLERANCES (UNLESS SPECIFIED)	DIMENSION STYLE	SCALE	DESIGN UNITS	THIRD ANGLE PROJECTION
	▽=0	mm INCH	MM/IN	1:1	METRIC	
	▽=0	4 PLACES ± --- ± --- 3 PLACES ± --- ± --- 2 PLACES ± 0.13 ± .005 1 PLACE ± 0.25 ± .010 ANGULAR ± 1/2°	DRAWN BY DATE HAVERY 00/04/06 CHECKED BY DATE KSWEENEY 00/04/06 APPROVED BY DATE MBANAKIS 00/04/06	TITLE	SALES ASSEMBLY Z AXIS PLUGGABLE PCB CONNECTOR	
	DRAFT WHERE APPLICABLE MUST REMAIN WITHIN DIMENSIONS	MATERIAL NO. SEE TABLE	DOCUMENT NO. SD-74441-001	MOLEX INCORPORATED		SHEET NO. 1 OF 7

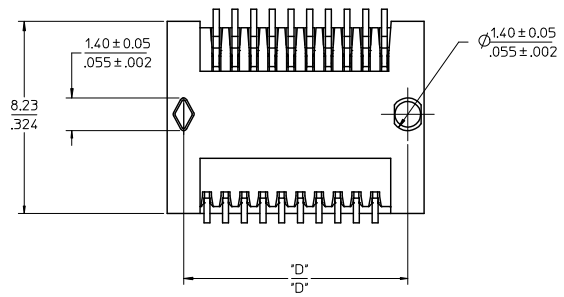
13 12 11 10 9 8 7 6 5 4 3 2 1



SECTION A1-A1  
SCALE 12:1



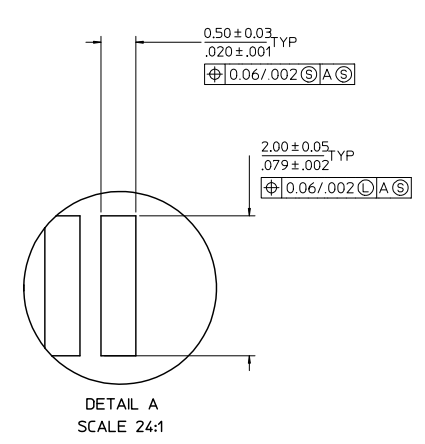
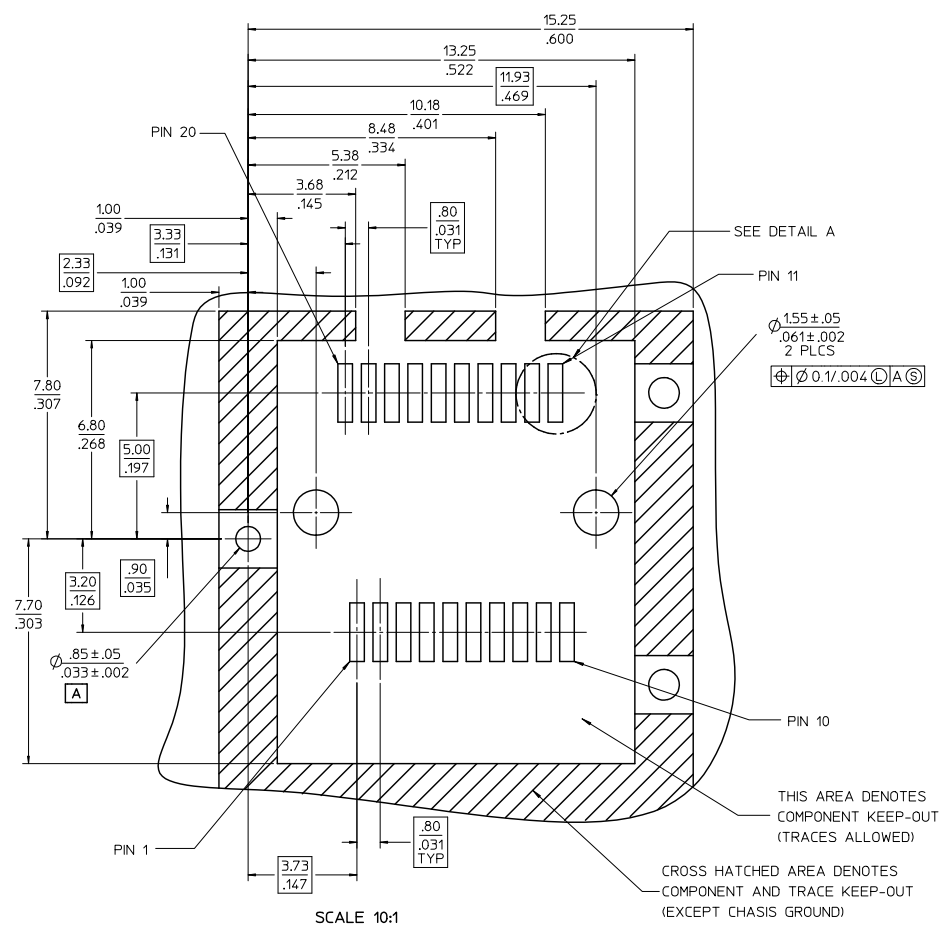
SECTION B1-B1  
SCALE 12:1



SEE SHEET 1 EIC NO. LEP2009-1455 DRAWN BY: DRWNS BARBA 2009/01/15 CHECKED BY: CHADSMART 2009/01/15 APPR: SMILLER 2009/01/16 REV:	QUALITY SYMBOLS	GENERAL TOLERANCES (UNLESS SPECIFIED)	DIMENSION STYLE	SCALE	DESIGN UNITS	THIRD ANGLE PROJECTION
	▽=0 ▽=0	4 PLACES ± .005 ± .005 3 PLACES ± .010 ± .010 2 PLACES ± 0.13 ± .005 1 PLACE ± 0.25 ± .010 ANGULAR ± 1/2°	MM/IN	6:1	METRIC	TITLE: SALES ASSEMBLY Z AXIS PLUGGABLE PCB CONNECTOR MOLEX INCORPORATED MATERIAL NO. MBANAK1S DOCUMENT NO. SD-74441-001
	DESCRIPTION	DRAFT WHERE APPLICABLE MUST REMAIN WITHIN DIMENSIONS	SEE TABLE	DATE: 00/04/06	DATE: 00/04/06	SHEET NO. 2 OF 7
	THIS DRAWING CONTAINS INFORMATION THAT IS PROPRIETARY TO MOLEX INCORPORATED AND SHOULD NOT BE USED WITHOUT WRITTEN PERMISSION					

12 11 10 9 8 7 6 5 4 3 2 1

13 12 11 10 9 8 7 6 5 4 3 2 1

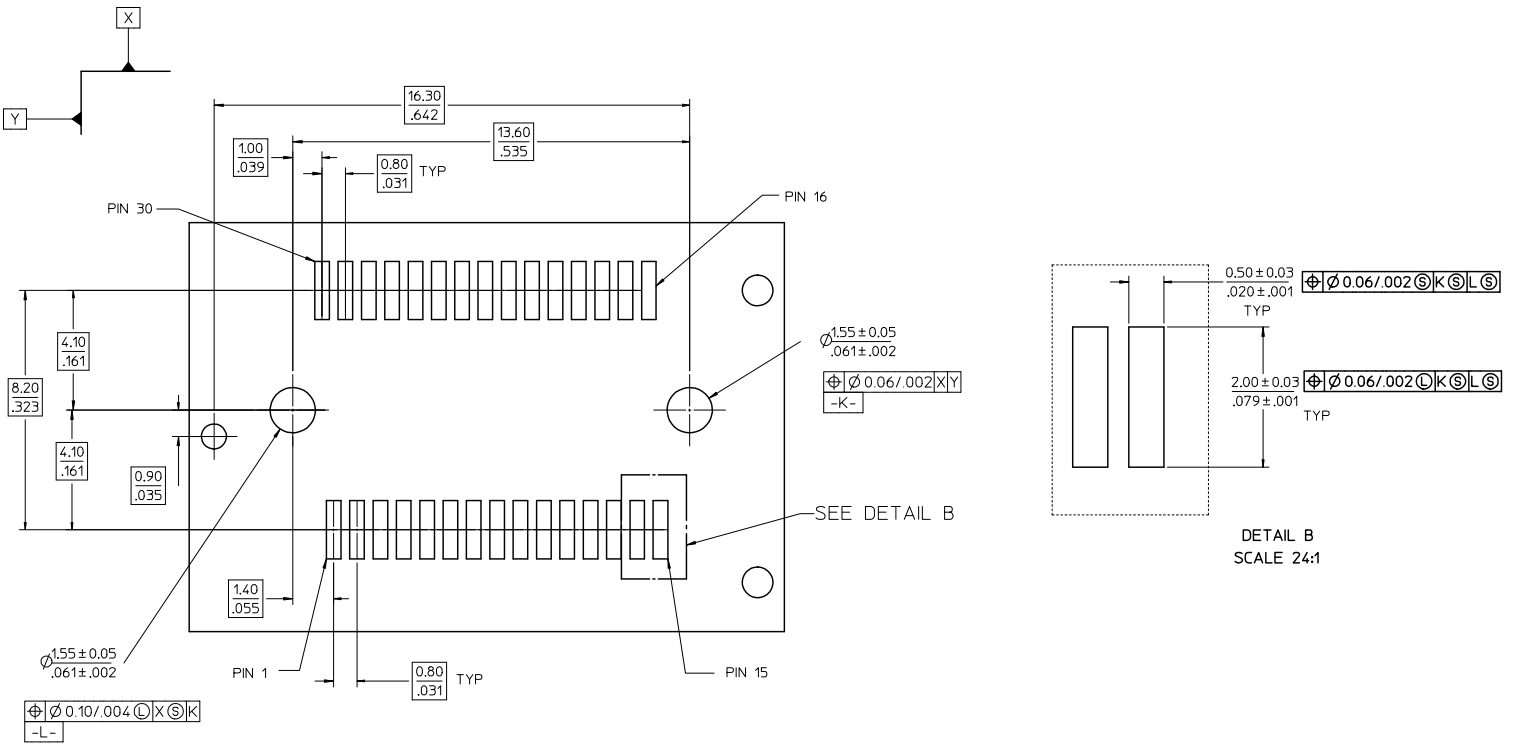


20 CIRCUIT MOTHER BOARD  
RECOMMENDED PCB LAYOUT

SEE SHEET 1 EC NO. UCP2009-1455 2009/01/15 DRW:MS BARBA 2009/01/15 CHK:CS MART 2009/01/16 APPR:SHILLER	QUALITY SYMBOLS	GENERAL TOLERANCES (UNLESS SPECIFIED)	DIMENSION STYLE	SCALE	DESIGN UNITS	THIRD ANGLE PROJECTION
	▽=0 ▽=0	4 PLACES ± --- ± --- 3 PLACES ± --- ± --- 2 PLACES ± 0.13 ± .005 1 PLACE ± 0.25 ± .010 ANGULAR ± 1/2°	MM/IN	8:1	METRIC	☉ ◯ THIRD ANGLE PROJECTION
	DESCRIPTION	DRAFT WHERE APPLICABLE MUST REMAIN WITHIN DIMENSIONS	DRAWN BY: HAVERY CHECKED BY: KSWEENEY APPROVED BY: MBANAKIS DATE: 00/04/06 DATE: 00/04/06 DATE: 00/04/06	TITLE	SALES ASSEMBLY Z AXIS PLUGGABLE PCB CONNECTOR	
	MATERIAL NO.	SIZE	SEE TABLE THIS DRAWING CONTAINS INFORMATION THAT IS PROPRIETARY TO MOLEX INCORPORATED AND SHOULD NOT BE USED WITHOUT WRITTEN PERMISSION	MOLEX INCORPORATED SD-74441-001	SHEET NO.	3 OF 7

12 11 10 9 8 7 6 5 4 3 2 1

13 12 11 10 9 8 7 6 5 4 3 2 1



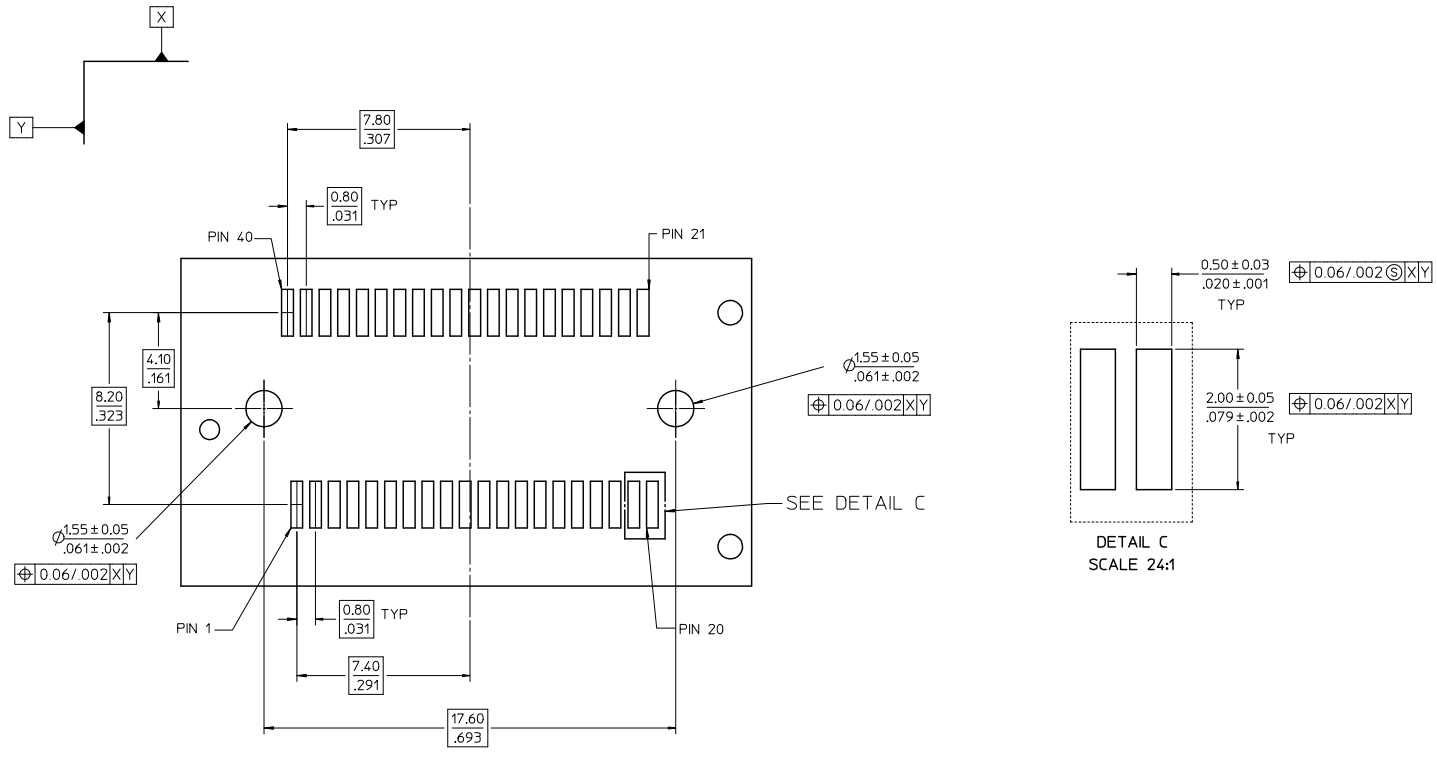
30 CIRCUIT MOTHER BOARD  
RECOMMENDED PCB LAYOUT

SEE SHEET 1 E.C. NO: UFP2009-1455 DRAWN BY: DRWN:SBARRA 2009/01/15 CHECKED BY: CHK:RSMART 2009/01/15 APPR: SMILLER 2009/01/16	QUALITY SYMBOLS	GENERAL TOLERANCES (UNLESS SPECIFIED)	DIMENSION STYLE	SCALE	DESIGN UNITS	THIRD ANGLE PROJECTION															
	$\nabla=0$ $\nabla=0$	<table border="1"> <thead> <tr> <th></th> <th>mm</th> <th>INCH</th> </tr> </thead> <tbody> <tr> <td>4 PLACES</td> <td>±---</td> <td>±---</td> </tr> <tr> <td>3 PLACES</td> <td>±---</td> <td>±---</td> </tr> <tr> <td>2 PLACES</td> <td>±0.13</td> <td>±.005</td> </tr> <tr> <td>1 PLACE</td> <td>±0.25</td> <td>±.010</td> </tr> </tbody> </table> ANGULAR ±1/2°		mm	INCH	4 PLACES	±---	±---	3 PLACES	±---	±---	2 PLACES	±0.13	±.005	1 PLACE	±0.25	±.010	MM/IN	6:1	METRIC	<input checked="" type="checkbox"/> THIRD ANGLE PROJECTION
		mm	INCH																		
	4 PLACES	±---	±---																		
3 PLACES	±---	±---																			
2 PLACES	±0.13	±.005																			
1 PLACE	±0.25	±.010																			
		DRAWN BY: HAVERY 00/04/06 DATE: 00/04/06 CHECKED BY: KSWEENEY 00/04/06 DATE: 00/04/06 APPROVED BY: MBANAKIS 00/04/06 DATE: 00/04/06	TITLE	SALES ASSEMBLY Z AXIS PLUGGABLE PCB CONNECTOR																	
	DRAFT WHERE APPLICABLE MUST REMAIN WITHIN DIMENSIONS	SIZE	MOLEX INCORPORATED																		
		SEE TABLE	DOCUMENT NO: SD-74441-001			SHEET NO: 4 OF 7															
THIS DRAWING CONTAINS INFORMATION THAT IS PROPRIETARY TO MOLEX INCORPORATED AND SHOULD NOT BE USED WITHOUT WRITTEN PERMISSION																					

tb\_frame\_C.P.A.M.T  
Rev. E 2006/04/15

12 11 10 9 8 7 6 5 4 3 2 1

13 12 11 10 9 8 7 6 5 4 3 2 1

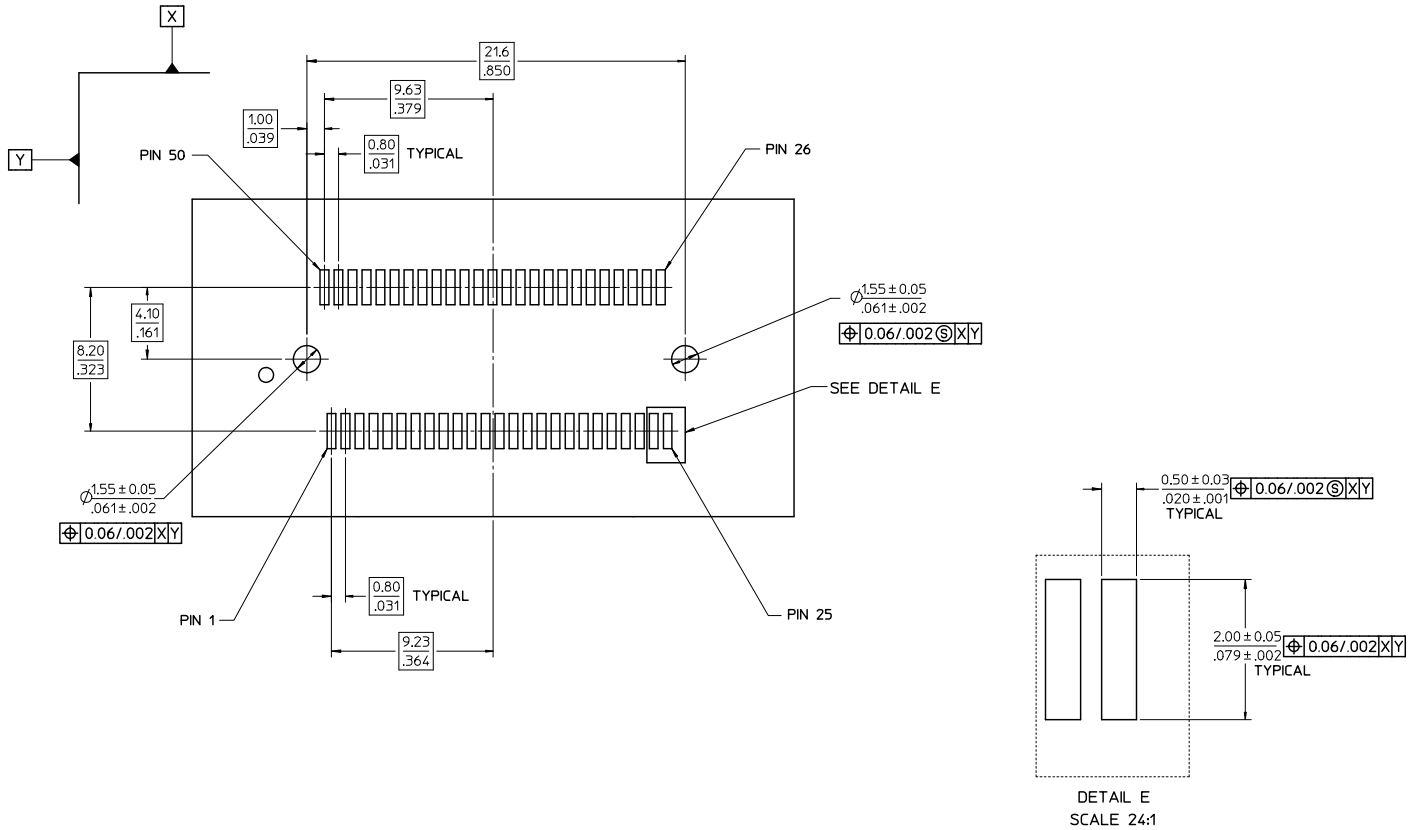


40 CIRCUIT MOTHER BOARD  
RECOMMENDED PCB LAYOUT

SEE SHEET 1 EC NO. UCP2009-1455 DRAWN BY: IBARRA 2009/07/15 CHECKED BY: CHACOSMART 2009/07/15 APPROVED BY: SMILLER 2009/07/16	QUALITY SYMBOLS	GENERAL TOLERANCES (UNLESS SPECIFIED)		DIMENSION STYLE		SCALE	DESIGN UNITS	THIRD ANGLE PROJECTION
	▽=0 ▽=0	mm	INCH	MM/IN	6:1	METRIC	☉ THIRD ANGLE PROJECTION	
		4 PLACES ±.001 ±.001	3 PLACES ±.002 ±.002	DRAWN BY: HAVERY 00/04/06	DATE: 00/04/06	TITLE: SALES ASSEMBLY Z AXIS PLUGGABLE PCB CONNECTOR		
		2 PLACES ±.013 ±.005	1 PLACE ±.025 ±.010	CHECKED BY: KSWEENEY 00/04/06	DATE: 00/04/06	MOLEX INCORPORATED		
	ANGULAR ±1/2°	DRAFT WHERE APPLICABLE MUST REMAIN WITHIN DIMENSIONS		MATERIAL NO. SEE TABLE	DATE: 00/04/06	DOCUMENT NO. SD-74441-001	SHEET NO. 5 OF 7	
THIS DRAWING CONTAINS INFORMATION THAT IS PROPRIETARY TO MOLEX INCORPORATED AND SHOULD NOT BE USED WITHOUT WRITTEN PERMISSION								

12 11 10 9 8 7 6 5 4 3 2 1

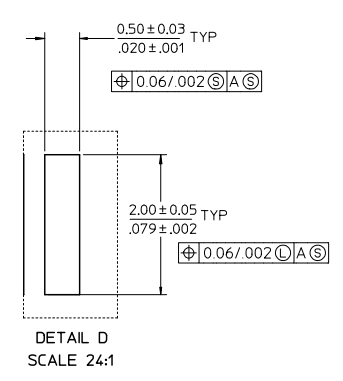
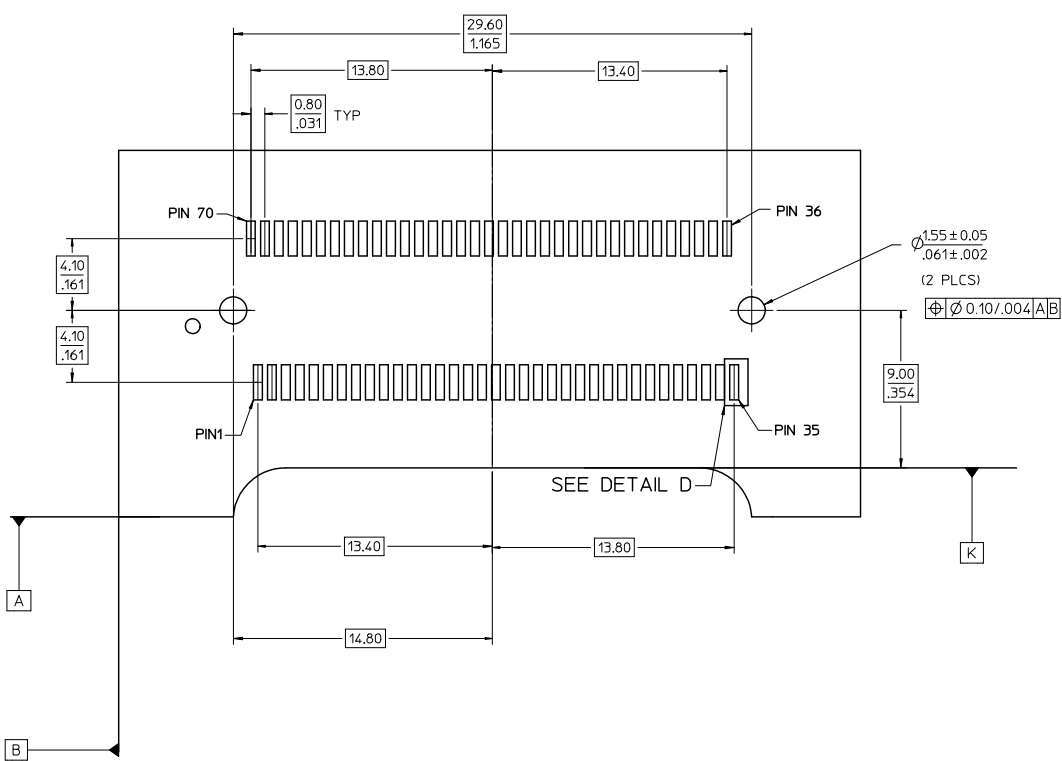
13 12 11 10 9 8 7 6 5 4 3 2 1



50 CIRCUIT MOTHER BOARD  
RECOMMENDED PCB LAYOUT

SEE SHEET 1 EIC NO.: UEP2009-1655 2009/01/15 DRWNS:BARBA 2009/01/15 CHK:CSMART 2009/01/16 APPR:SHILLER	QUALITY SYMBOLS ▽=0 ▽=0	GENERAL TOLERANCES (UNLESS SPECIFIED)		DIMENSION STYLE MM/IN		SCALE 6:1	DESIGN UNITS METRIC	THIRD ANGLE PROJECTION			
		4 PLACES ± .01 ± .01	3 PLACES ± .02 ± .02	2 PLACES ± .05 ± .05	1 PLACE ± .25 ± .010	ANGULAR ± 1/2°	DRAWN BY HAVERY	DATE 00/04/06	TITLE SALES ASSEMBLY Z AXIS PLUGGABLE PCB CONNECTOR		
		DRAFT WHERE APPLICABLE MUST REMAIN WITHIN DIMENSIONS					APPROVED BY MBANAKIS	DATE 00/04/06	MOLEX INCORPORATED		
		MATERIAL NO. SEE TABLE					DOCUMENT NO. SD-74441-001		SHEET NO. 6 OF 7		

13 12 11 10 9 8 7 6 5 4 3 2 1



70 CIRCUIT MOTHER BOARD  
RECOMMENDED PCB LAYOUT

SEE SHEET 1 EIC NO. UEP2009-1655 DRAWN BY BARBA 2009/01/15 CHECKED BY MART 2009/01/15 APPR. BY MILLER 2009/01/16	QUALITY SYMBOLS	GENERAL TOLERANCES (UNLESS SPECIFIED)	DIMENSION STYLE	SCALE	DESIGN UNITS	THIRD ANGLE PROJECTION
	▽=0 ▽=0	mm INCH 4 PLACES ± ± 3 PLACES ± ± 2 PLACES ± 0.13 ± .005 1 PLACE ± 0.25 ± .010 ANGULAR ± 1/2°	MM/IN	6:1	METRIC	☉ THIRD ANGLE ▽ PROJECTION
	DESCRIPTION	DRAFT WHERE APPLICABLE MUST REMAIN WITHIN DIMENSIONS	DRAWN BY HAVERY DATE 00/04/06 CHECKED BY KSWEENEY DATE 00/04/06 APPROVED BY MBANAKIS DATE 00/04/06	TITLE	SALES ASSEMBLY Z AXIS PLUGGABLE PCB CONNECTOR	
	REV	SIZE C	MATERIAL NO. SEE TABLE	DOCUMENT NO. SD-74441-001	MOLEX INCORPORATED THIS DRAWING CONTAINS INFORMATION THAT IS PROPRIETARY TO MOLEX INCORPORATED AND SHOULD NOT BE USED WITHOUT WRITTEN PERMISSION	

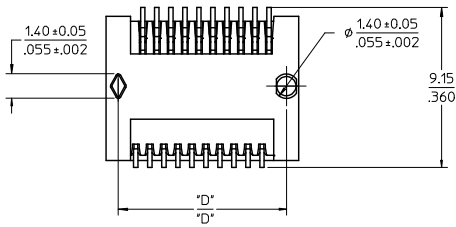
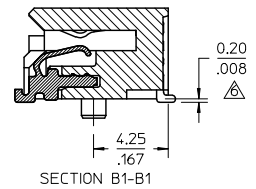
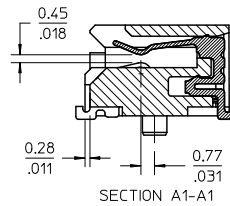
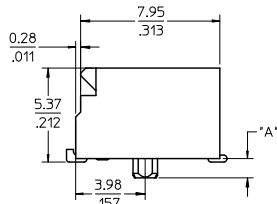
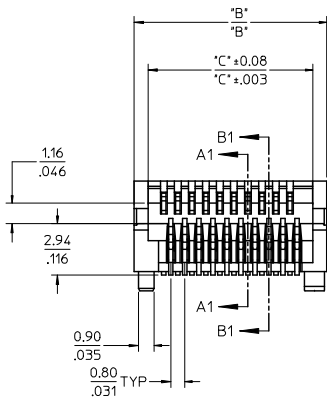
12 11 10 9 8 7 6 5 4 3 2 1

13 12 11 10 9 8 7 6 5 4 3 2 1

CKT SIZE	PART NUMBER	DESCRIPTION	"A"	"B"	"C"	"D"
20	74441-9001	PLATED PER NOTE 2	1.10/.043	11.00/.433	9.40/.378	9.60/.378
20	74441-9010	PLATED PER NOTE 3	1.10/.043	11.00/.433	9.40/.378	9.60/.378
30	74441-9007	PLATED PER NOTE 2	1.10/.043	15.00/.591	13.40/.528	13.60/.535
40	74441-9005	PLATED PER NOTE 2	1.10/.043	19.00/.748	17.40/.685	17.60/.693
70	74441-9003	PLATED PER NOTE 2	1.10/.043	31.00/1.220	29.40/1.157	29.60/1.165

NOTES

- MATERIAL:  
HOUSING - HIGH TEMPERATURE THERMOPLASTIC GLASS FILLED, UL 94V-0, BLACK  
TERMINALS - COPPER ALLOY
  - PLATING:  
CONTACT AREA - 0.38 μm MIN GOLD OVER 2.54 μm MIN NICKEL  
SOLDER FOOT AREA - 2.54 - 5.09 μm TIN OVER 2.54 μm MIN NICKEL.
  - PLATING:  
CONTACT AREA - 0.76 μm MIN GOLD OVER 2.54 μm NICKEL  
SOLDER AREA - 2.54 - 5.09 μm TIN OVER 2.54 μm MIN NICKEL
  - PLATING:  
CONTACT AREA - 0.76 μm MIN GOLD OVER 2.54 μm NICKEL, LUBRICATED  
SOLDER AREA: GOLD FLASH OVER 2.54 μm MIN NICKEL.
  - PLATING:  
CONTACT AREA - 0.76 μm MIN GOLD OVER 2.54 μm NICKEL,  
SOLDER AREA: GOLD FLASH OVER 2.54 μm MIN NICKEL.
- ⚠ TERMINAL SOLDER FEET TO BE COPLANAR WITHIN 0.10/.004 FOR 20, 30 AND 40 CIRCUIT CONNECTORS  
TERMINAL SOLDER FEET TO BE COPLANAR WITHIN 0.15/.006 FOR 70 CIRCUIT CONNECTOR
- \* CONTACT PLANT FOR MORE INFORMATION
  - DATE CODE: 4 DIGIT (3 DIGIT DATE, 1 DIGIT YEAR)
  - ⚠ CIRCUIT 1 IDENTIFIER LOCATED ON ALL PART NUMBERS



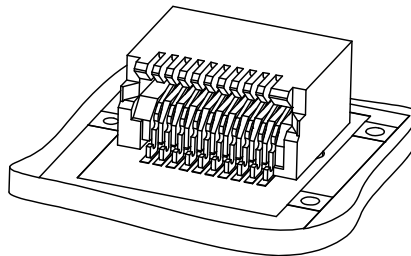
INITIAL RELEASE EC NO. UCP2010-0714 2009/09/16 DRAWN BY MSIBARRA 2009/09/14 CHKD BY BBARKER 2009/09/14 APPR BY MILLER	QUALITY SYMBOLS ∇=0 ∇=0 ∇=0	GENERAL TOLERANCES (UNLESS SPECIFIED)		DIMENSION STYLE		SCALE	DESIGN UNITS	THIRD ANGLE	
				MM/IN		6:1	METRIC	PROJECTION	
				DRAWN BY DATE		TITLE			
				CHECKED BY DATE		SALES ASSEMBLY- LEADFREE Z AXIS PLUGGABLE PCB CONNECTOR			
				APPROVED BY DATE		MATERIAL NO. DOCUMENT NO.			
				SMILLER 2009/09/16		MOLEX INCORPORATED			
		DRAFT WHERE APPLICABLE MUST REMAIN WITHIN DIMENSIONS		SEE TABLE		SD-74441-004			
				SIZE C		THIS DRAWING CONTAINS INFORMATION THAT IS PROPRIETARY TO MOLEX INCORPORATED AND SHOULD NOT BE USED WITHOUT WRITTEN PERMISSION			

12 11 10 9 8 7 6 5 4 3 2 1



13 12 11 10 9 8 7 6 5 4 3 2 1

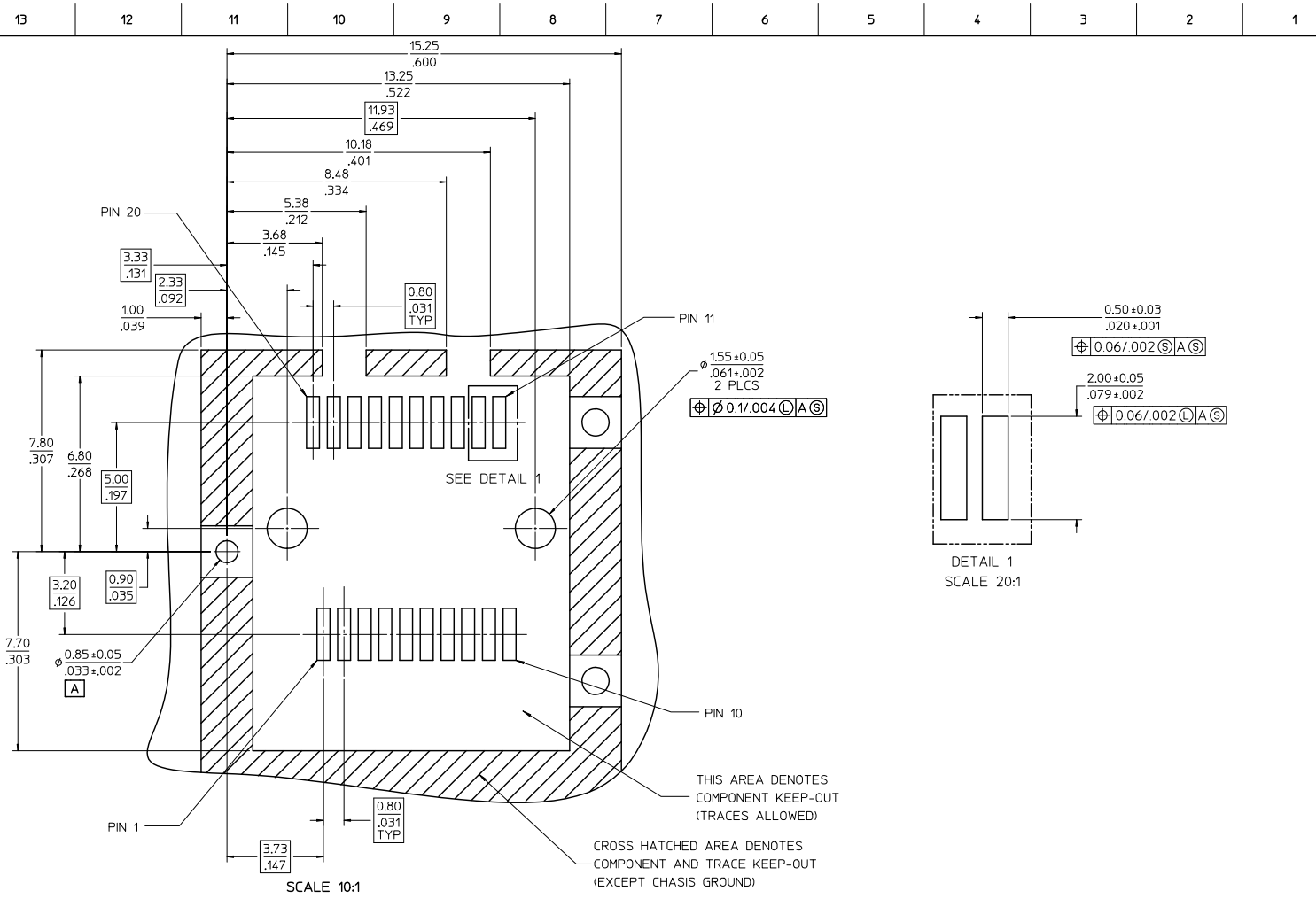
SALES ASSEMBLY DRAWINGS FOR SMALL FORM-FACTOR AND Z AXIS PLUGGABLE CONNECTORS



CIRCUIT SIZE	MSA	CONNECTOR DRAWING	CIRCUIT BOARD DRAWING
20	SFP	PAGE 2	PAGE 3
30	XFP	PAGE 2	PAGE 4
40		PAGE 2	PAGE 5
70	XENPAK XPAK X2	PAGE 2	PAGE 6

INITIAL RELEASE EC NO. UCP2010-0714 2009/09/16 DRAWN BY MSIBARRA 2009/09/14 CHECKED BY BBARKER 2009/09/14 APPR. BY MILLER 2009/09/14	QUALITY SYMBOLS ∇=0 ∇=0 ∇=0	GENERAL TOLERANCES (UNLESS SPECIFIED)		DIMENSION STYLE	SCALE	DESIGN UNITS	THIRD ANGLE	
				MM/IN	1:1	METRIC	PROJECTION	
		4 PLACES ±----	±----	DRAWN BY DATE	TITLE			
		3 PLACES ±----	±----	MSIBARRA 2009/09/16	SALES ASSEMBLY- LEADFREE Z AXIS PLUGGABLE PCB CONNECTOR			
2 PLACES ±----	±----	CHECKED BY DATE	MOLEX INCORPORATED					
1 PLACE ±----	±----	BBARKER 2009/09/16	MATERIAL NO. DOCUMENT NO. SHEET NO.					
ANGULAR ±1/2°		APPROVED BY DATE	SEE TABLE		SD-74441-004		2 OF 6	
DRAFT WHERE APPLICABLE MUST REMAIN WITHIN DIMENSIONS		MILLER 2009/09/16	THIS DRAWING CONTAINS INFORMATION THAT IS PROPRIETARY TO MOLEX INCORPORATED AND SHOULD NOT BE USED WITHOUT WRITTEN PERMISSION					

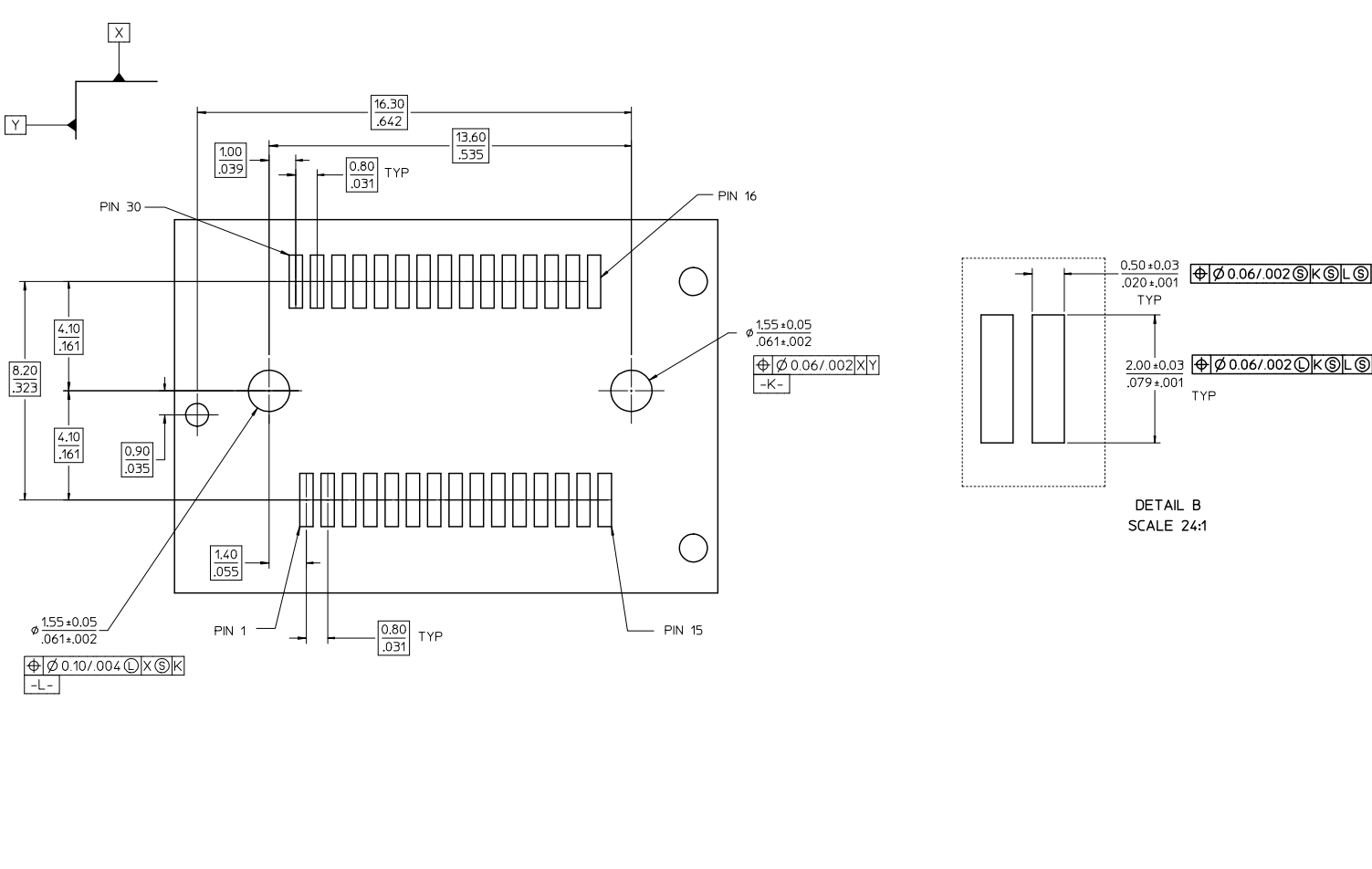
1b\_frame\_C\_P\_AM\_T Rev. F 2009/06/18 12 11 10 9 8 7 6 5 4 3 2 1



20 CIRCUIT MOTHER BOARD  
RECOMMENDED PCB LAYOUT

INITIAL RELEASE EC NO. UCP2010-0714 DRAWN BY MSIBARRA 2009/09/16 CHECKED BY CPHC/BARKER 2009/09/16 APPR: SMILLER 2009/09/16	QUALITY SYMBOLS ∇=0 ∇=0 ∇=0	GENERAL TOLERANCES (UNLESS SPECIFIED)		DIMENSION STYLE	SCALE	DESIGN UNITS	THIRD ANGLE PROJECTION	
		mm	INCH	MM/IN	8:1	METRIC	☉	
		4 PLACES ±	±	DRAWN BY	DATE	TITLE	SALES ASSEMBLY- LEADFREE Z AXIS PLUGGABLE PCB CONNECTOR	
		3 PLACES ±	±	MSIBARRA	2009/09/16	MOLEX INCORPORATED		
2 PLACES ±	±	CHECKED BY	DATE	MATERIAL NO.	DOCUMENT NO.	SHEET NO.		
1 PLACE ±	±	BARKER	2009/09/16	SEE TABLE	SD-74441-004	3 OF 6		
ANGULAR ±1/2°		APPROVED BY	DATE	THIS DRAWING CONTAINS INFORMATION THAT IS PROPRIETARY TO MOLEX INCORPORATED AND SHOULD NOT BE USED WITHOUT WRITTEN PERMISSION				
DRAFT WHERE APPLICABLE MUST REMAIN WITHIN DIMENSIONS		SMILLER	2009/09/16					

13 12 11 10 9 8 7 6 5 4 3 2 1



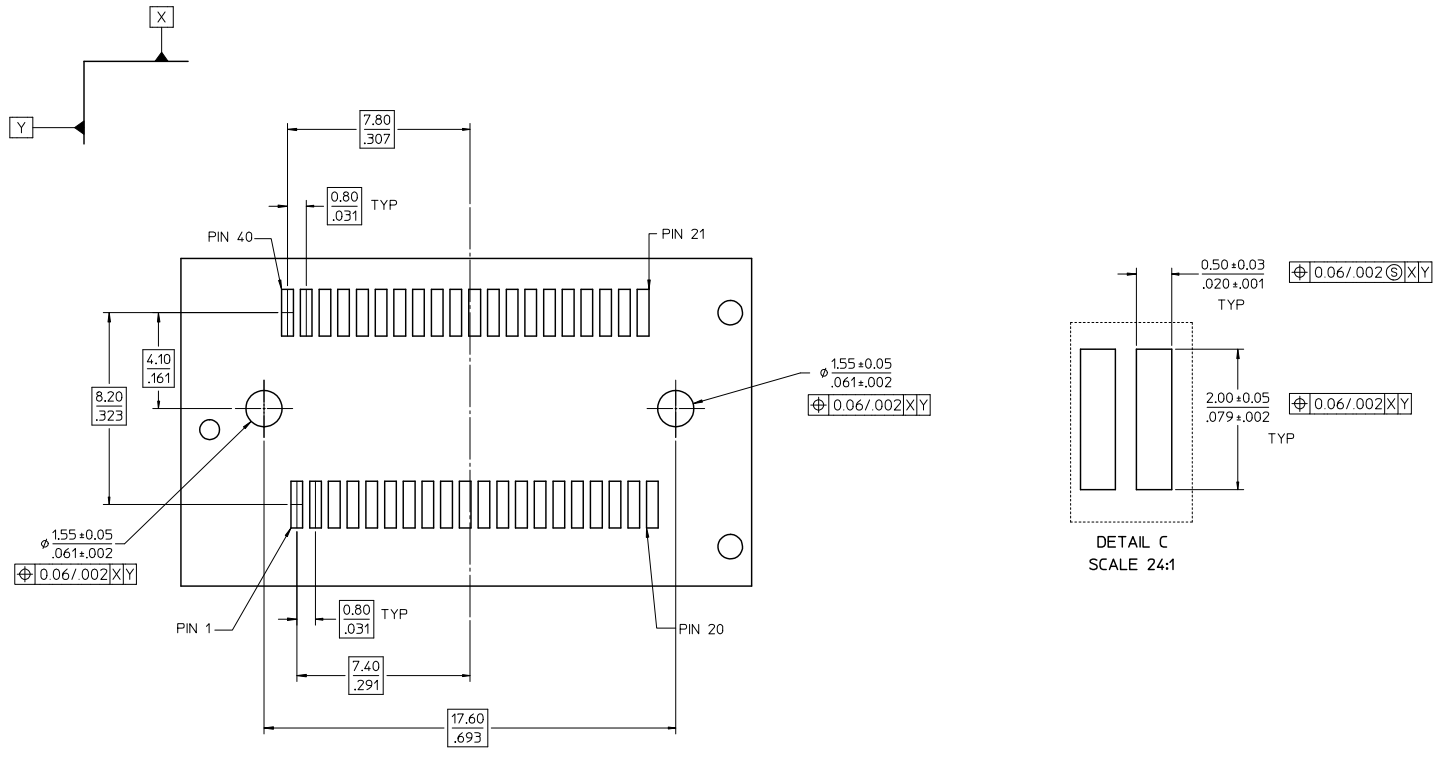
30 CIRCUIT MOTHER BOARD  
RECOMMENDED PCB LAYOUT

<b>INITIAL RELEASE</b> EC NO: UCP2010-0714 DRAWN BY: MSIBARRA 2009/09/16 CHKD BY: BBARKER 2009/09/16 APPR: SMILLER 2009/09/16	QUALITY SYMBOLS ▽=0 ▽=0 ▽=0	GENERAL TOLERANCES (UNLESS SPECIFIED)		DIMENSION STYLE	SCALE	DESIGN UNITS	THIRD ANGLE PROJECTION	
				MM/IN	6:1	METRIC		
				DRAWN BY: MSIBARRA CHECKED BY: BBARKER APPROVED BY: SMILLER	DATE: 2009/09/16 DATE: 2009/09/16 DATE: 2009/09/16	TITLE	SALES ASSEMBLY- LEADFREE Z AXIS PLUGGABLE PCB CONNECTOR	
				ANGULAR ±1/2°		MATERIAL NO.	DOCUMENT NO.	SHEET NO.
A	REV	DRAFT WHERE APPLICABLE MUST REMAIN WITHIN DIMENSIONS		SEE TABLE	SD-74441-004	4 OF 6		

12 11 10 9 8 7 6 5 4 3 2 1

tb\_frame\_C\_P\_AM.T  
Rev. F 2009/06/18

13 12 11 10 9 8 7 6 5 4 3 2 1

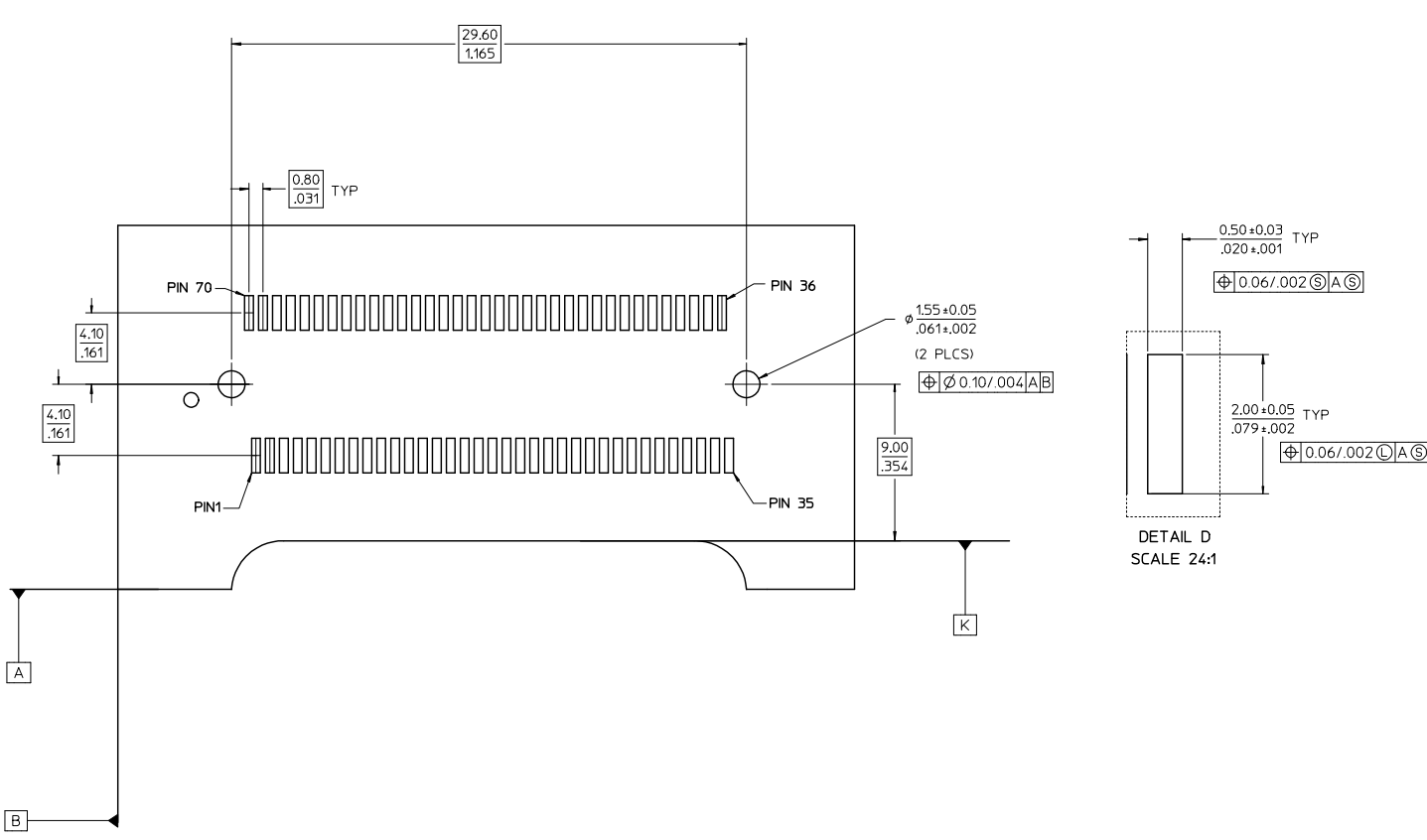


40 CIRCUIT MOTHER BOARD  
RECOMMENDED PCB LAYOUT

INITIAL RELEASE EC NO. UCP2010-0714 2009/09/16 DRAWN BY MSIBARRA 2009/09/14 CHKD BY BBARKER 2009/09/14 APPR: SMILLER 2009/09/14	QUALITY SYMBOLS ∇=0 ∇=0 ∇=0	GENERAL TOLERANCES (UNLESS SPECIFIED)		DIMENSION STYLE		SCALE	DESIGN UNITS	THIRD ANGLE	
		mm	INCH	MM/IN		6:1	METRIC	PROJECTION	
		4 PLACES	+---	+---	DRAWN BY	DATE	TITLE		
		3 PLACES	+---	+---	MSIBARRA	2009/09/16	SALES ASSEMBLY- LEADFREE Z AXIS PLUGGABLE PCB CONNECTOR		
2 PLACES	+---	+---	CHECKED BY	DATE	MATERIAL NO.				
1 PLACE	+---	+---	BBARKER	2009/09/16	DOCUMENT NO.				
ANGULAR ±1/2°		APPROVED BY		DATE	SD-74441-004				
DRAFT WHERE APPLICABLE MUST REMAIN WITHIN DIMENSIONS		SMILLER		2009/09/16	SEE TABLE		SHEET NO.		
					THIS DRAWING CONTAINS INFORMATION THAT IS PROPRIETARY TO MOLEX INCORPORATED AND SHOULD NOT BE USED WITHOUT WRITTEN PERMISSION		5 OF 6		

12 11 10 9 8 7 6 5 4 3 2 1

13 12 11 10 9 8 7 6 5 4 3 2 1



70 CIRCUIT MOTHER BOARD  
RECOMMENDED PCB LAYOUT

INITIAL RELEASE EC NO. LCEP2010-0714 DRAWN BY MSIBARRA 2009/09/16 CHECKED BY CHAD BARKER 2009/09/16 APPR. BY SMILLER 2009/09/16	QUALITY SYMBOLS ∇=0 ∇=0 ∇=0	GENERAL TOLERANCES (UNLESS SPECIFIED)		DIMENSION STYLE		SCALE	DESIGN UNITS	THIRD ANGLE PROJECTION		
				MM/IN		6:1	METRIC			
		4 PLACES ±	±	MM/IN	DRAWN BY	DATE	TITLE			
		3 PLACES ±	±		MSIBARRA	2009/09/16	SALES ASSEMBLY- LEADFREE Z AXIS PLUGGABLE PCB CONNECTOR			
2 PLACES ±	±		CHECKED BY	DATE	MATERIAL NO.					
1 PLACE ±	±		BARKER	2009/09/16	DOCUMENT NO.					
ANGULAR ±1/2°		DRAFT WHERE APPLICABLE MUST REMAIN WITHIN DIMENSIONS		SEE TABLE		SD-74441-004		SHEET NO. 6 OF 6		
THIS DRAWING CONTAINS INFORMATION THAT IS PROPRIETARY TO MOLEX INCORPORATED AND SHOULD NOT BE USED WITHOUT WRITTEN PERMISSION										

12 11 10 9 8 7 6 5 4 3 2 1