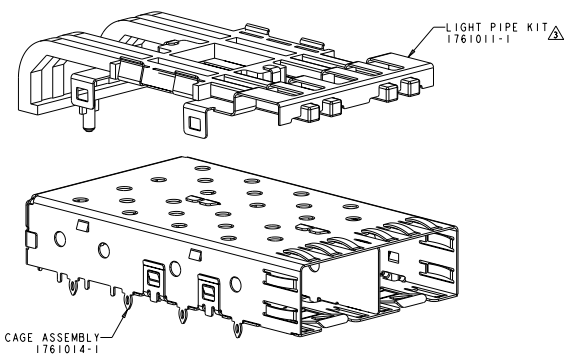
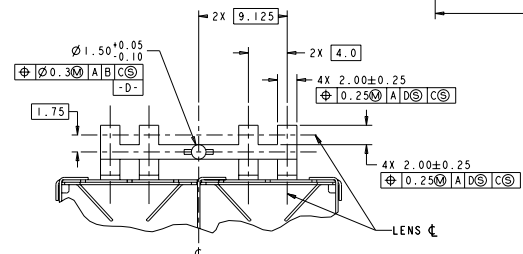
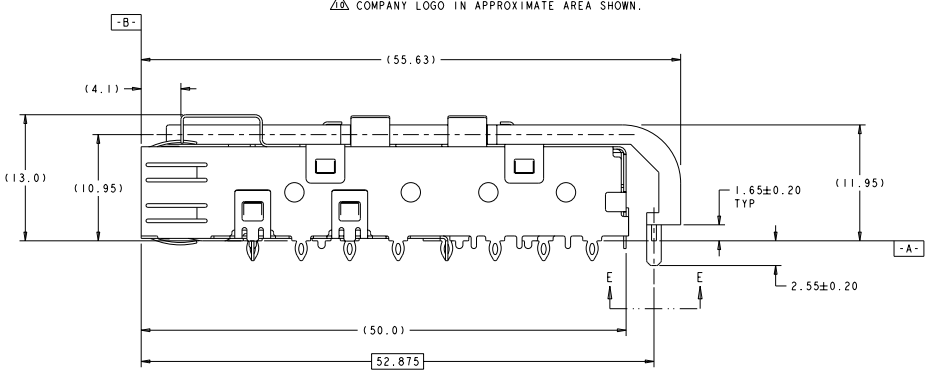
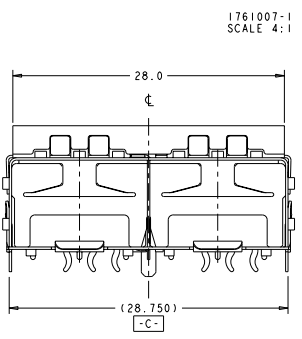


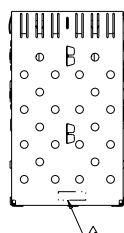
REV. NO.		REVISIONS	
DATE	BY	DESCRIPTION	APP'D
00	E	REVISED PER ECO-10-015550	



- △ PADS AND VIAS CHASSIS GROUND.
- △ DATUM AND BASIC DIMENSIONS ESTABLISHED BY CUSTOMER.
- △ LIGHT PIPE KIT WHICH IS SEPARATE FROM CAGE ASSEMBLY. KIT TO BE ATTACHED AFTER SEATING OF 1761014-1 ON PC BOARD.
- 4. LABEL ON CAGE WILL HAVE PART NUMBER 1761014-1.
- 5. REFERENCE STYLE I ON APPLICATION SPECIFICATION 114-13165 FOR ADDITIONAL INFORMATION ON CAGE ASSEMBLIES WITH LIGHT PIPES.
- △ REFERENCE APPLICATION SPEC 114-13120, HOLE A, FOR RECOMMENDED DRILL HOLE DIAMETER AND PLATING THICKNESSES.
- △ REFERENCE APPLICATION SPEC 114-13120, HOLE B, FOR RECOMMENDED DRILL HOLE DIAMETER AND PLATING THICKNESSES.
- △ PATTERN REPEATS FOR EACH PORT. SPACING BETWEEN PORTS IS 14.25mm.
- △ MINIMUM PC BOARD THICKNESS = 1.50mm.
- △ COMPANY LOGO IN APPROXIMATE AREA SHOWN.



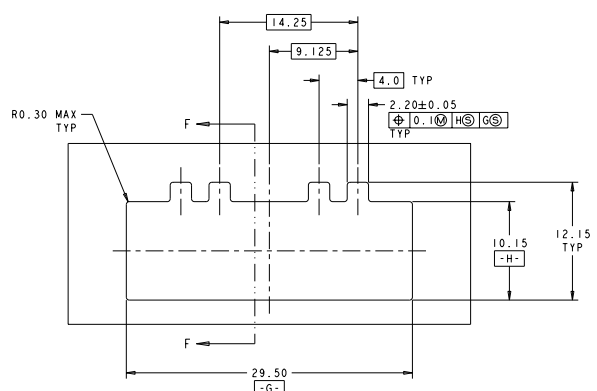
VIEW E-E
ROTATED 90° COUNTERCLOCKWISE



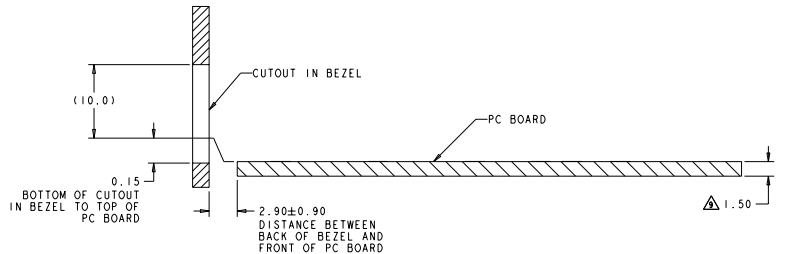
IX2 ASSEMBLY	1761007-1
DESCRIPTION	PART NO

DATE: 01/20/04	BY: PHILIP ELECTRONICS CORPORATION	REVISED PER ECO-10-015550	DATE: 01/20/04	BY: PHILIP ELECTRONICS CORPORATION
108-1950	114-13120	00778	1761007	
CUSTOMER DRAWING		PAGE 5:1		

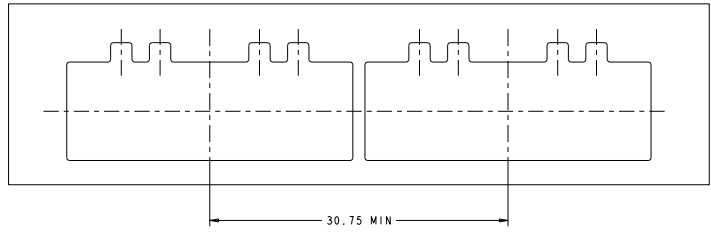
REV. NO.		REVISIONS	
DATE	BY	DESCRIPTION	APP'D.
GP	00	SEE SHEET 1	



RECOMMENDED BEZEL CUTOUT

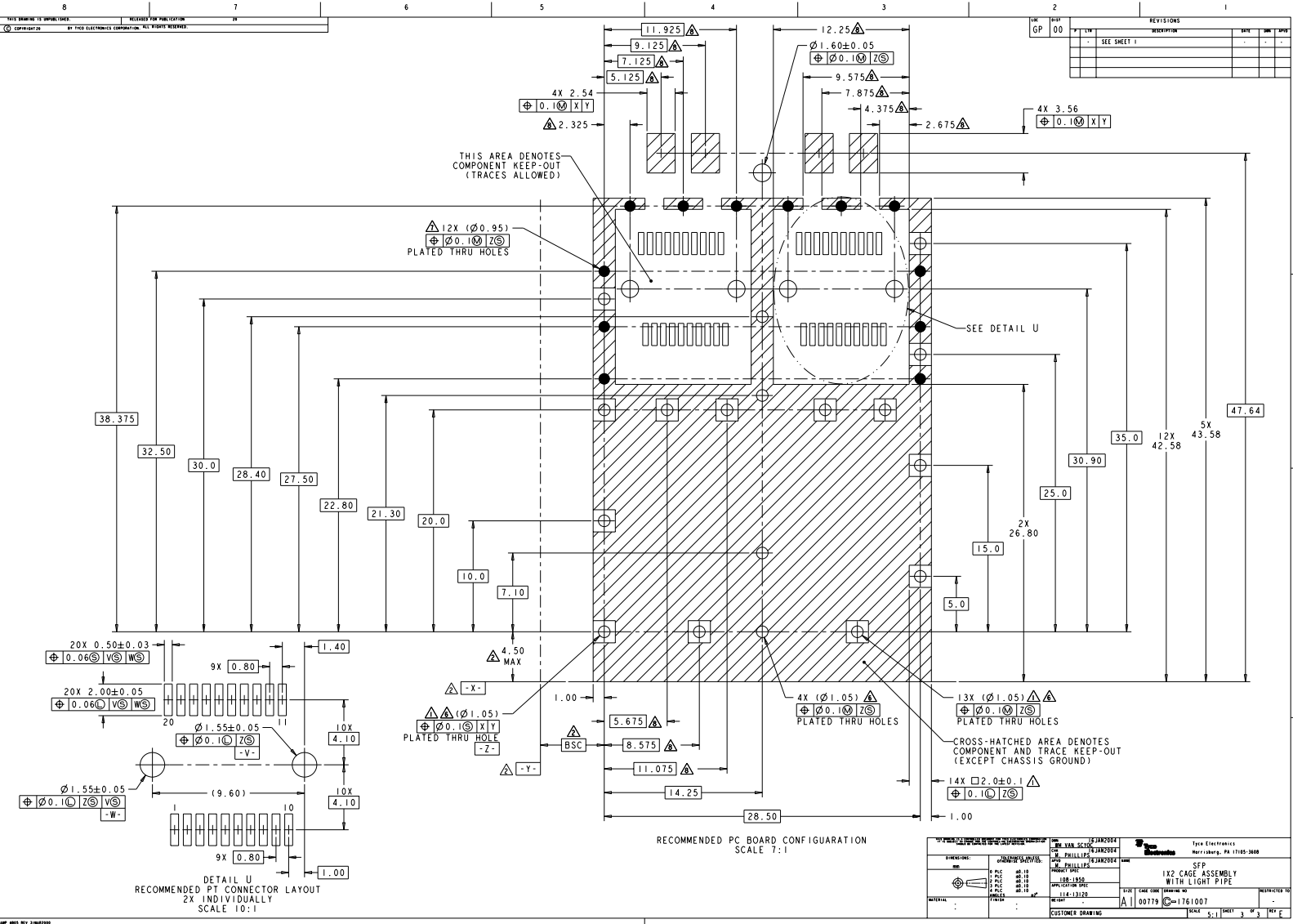


SECTION F-F
RECOMMENDED BEZEL CONFIGURATION



DATE: JAN 2004		DRAWN BY: M. SCOTT		CHECKED BY: M. PHILLIPS		DATE: JAN 2004	
REV. NO.: 00		REV. NO.: 00		REV. NO.: 00		REV. NO.: 00	
MATERIAL: CUSTOMER DRAWING		PART NO.: 116-13120		REV. NO.: 00		REV. NO.: 00	
CUSTOMER DRAWING		STATE: CA		CAGE CODE: 1761007		REV. NO.: 00	
CUSTOMER DRAWING		PAGE: 5		SHEET: 2		REV. NO.: 00	

REV	DATE	DESCRIPTION	BY	CHK	APP
00		SEE SHEET 1			



DATE: 1/20/04	REV: 00	DATE: 1/20/04	REV: 00
DESIGNED BY: PHILLIPS	DATE: 1/20/04	DESIGNED BY: PHILLIPS	DATE: 1/20/04
DRAWN BY: PHILLIPS	DATE: 1/20/04	DRAWN BY: PHILLIPS	DATE: 1/20/04
CHECKED BY: PHILLIPS	DATE: 1/20/04	CHECKED BY: PHILLIPS	DATE: 1/20/04
APPROVED BY: PHILLIPS	DATE: 1/20/04	APPROVED BY: PHILLIPS	DATE: 1/20/04
TITLE: 1X2 CAGE ASSEMBLY WITH LIGHT PIPE		SCALE: AS SHOWN	QUANTITY: 100
PART NUMBER: 00778		REV: 00	DATE: 1/20/04
CUSTOMER DRAWING		SHEET: 5	TOTAL SHEETS: 5