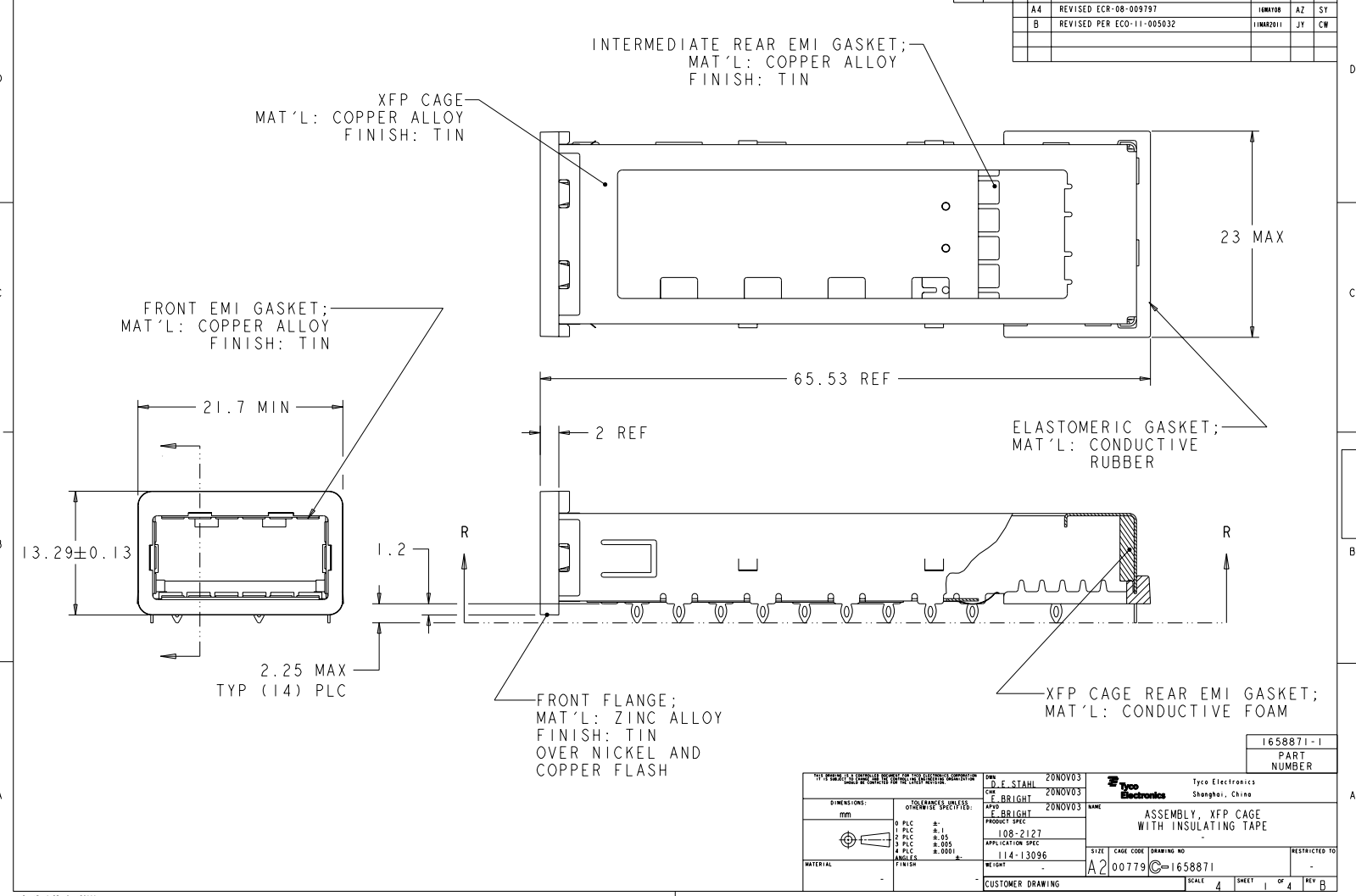


REV	DATE	BY	CHKD	APPROV
A4	16MAY08	AZ	SY	
B	11MAR2011	JY	CW	



1658871-1
PART NUMBER

TYCO ELECTRONICS CORPORATION		OWN	20NOV03	Tyco Electronics Shanghai, China	
D. E. STAHL		CD	20NOV03	E. BRIGHT	
E. BRIGHT		APPROV	20NOV03	NAME	
PRODUCT SPEC		108-2127	APPLICATION SPEC		
114-13096		WEIGHT	A2 00779 © 1658871		
CUSTOMER DRAWING		SCALE	4	SHEET	1 OF 4 REV B

4

3

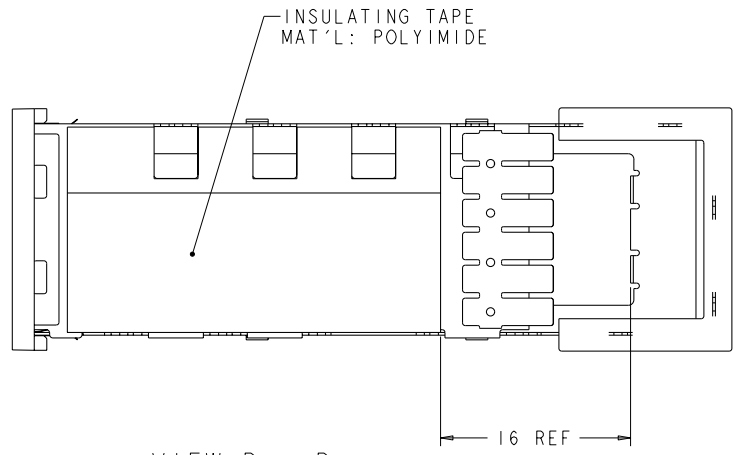
2

1

THIS DRAWING IS UNPUBLISHED. RELEASED FOR PUBLICATION BY TYCO ELECTRONICS CORPORATION. ALL RIGHTS RESERVED. COPYRIGHT 20

LOC ES DIST 00

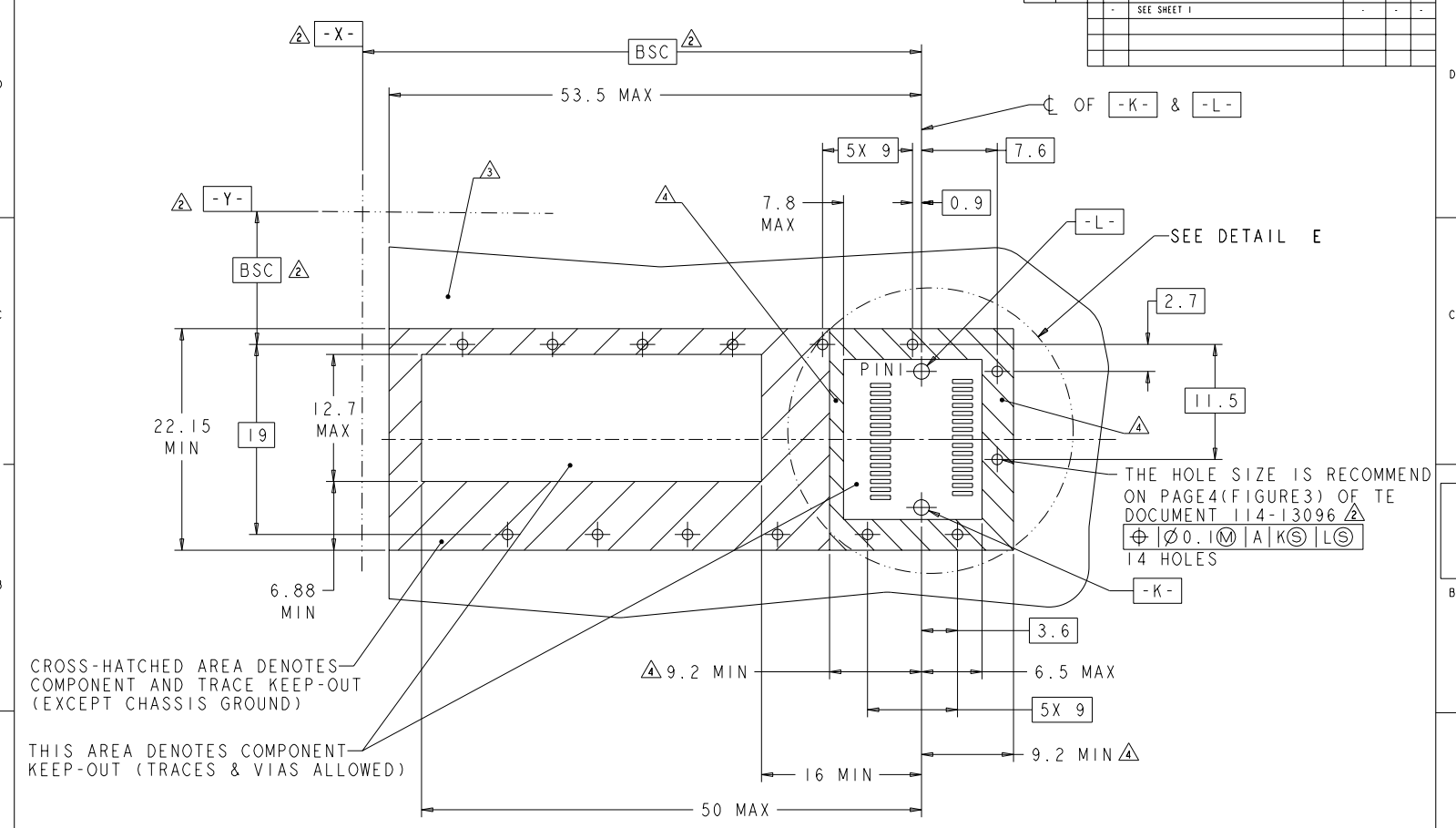
REVISIONS				
P	LY#	DESCRIPTION	DATE	BY
-		SEE SHEET 1	-	-



VIEW R - R

- △ MATES WITH XFP-MSA COMPLIANT TRANSCEIVERS.
- △ DATUM **-X-** AND **-Y-** ESTABLISHED BY CUSTOMER.
- △ DATUM **-A-** IS TOP SURFACE OF HOST BOARD.
- △ INDICATED SURFACES TO BE CONDUCTIVE AND CONNECTED TO CHASSIS GROUND.

<small>TOP SURFACE IS CONTROL SURFACE FOR THE CUSTOMER'S CONNECTION POINTS. ALL DIMENSIONS ARE UNLESS OTHERWISE SPECIFIED.</small>		DWG: D. E. STAHL 20NOV03 CD: E. BRIGHT 20NOV03 APPD: E. BRIGHT 20NOV03	Tyco Electronics Shanghai, China
DIMENSIONS: mm 	<small>TO SURFACE UNLESS OTHERWISE SPECIFIED</small> 0 PLC ±.1 1 PLC ±.1 2 PLC ±.05 3 PLC ±.005 4 PLC ±.005 ANGLES ±.005	NAME: ASSEMBLY, XFP CAGE WITH INSULATING TAPE PRODUCT SPEC: 108-2127 APPLICATION SPEC: 114-13096	SHEET: A2 CASE CODE: 00779 DRAWING NO: 1658871 RESTRICTED TO:
MATERIAL: -	FINISH: -	WEIGHT: -	SCALE: 4 SHEET 2 OF 4 REV B
CUSTOMER DRAWING			



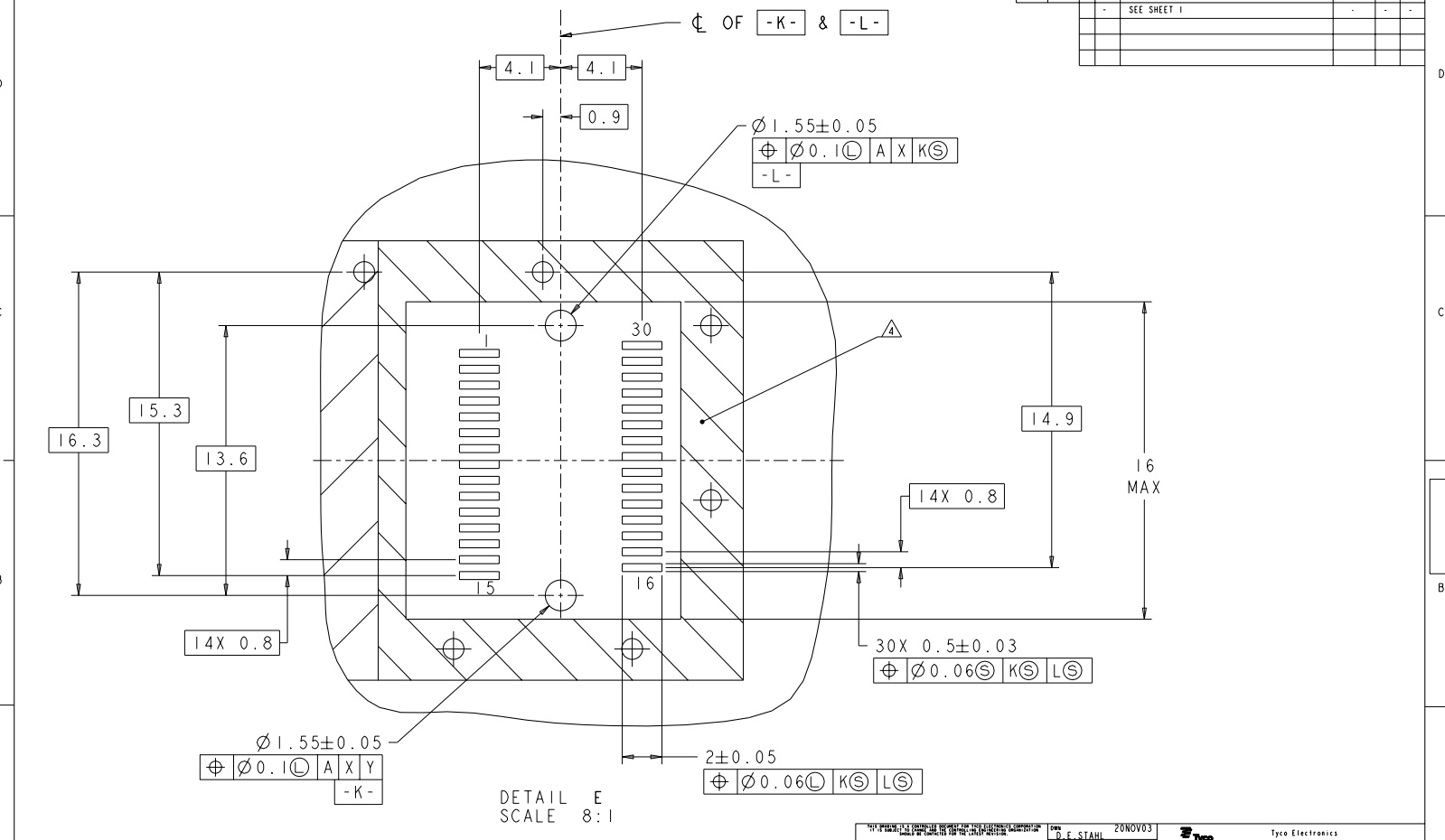
REVISIONS				
REV	DATE	BY	APPV	DESCRIPTION
-	-	-	-	SEE SHEET 1

CROSS-HATCHED AREA DENOTES COMPONENT AND TRACE KEEP-OUT (EXCEPT CHASSIS GROUND)

THIS AREA DENOTES COMPONENT KEEP-OUT (TRACES & VIAS ALLOWED)

DETAILED HOST BOARD MECHANICAL LAYOUT

DIMENSIONS: mm 0 PLC ±.1 1 PLC ±.1 2 PLC ±.05 3 PLC ±.005 4 PLC ±.0001 ANGLES ±.0001 FINISH -		D. E. STAHL E. BRIGHT E. BRIGHT 108-2127 APPLICATION SPEC 114-13096 WEIGHT - CUSTOMER DRAWING	20NOV03 20NOV03 20NOV03 NAME ASSEMBLY, XFP CAGE WITH INSULATING TAPE SHEET CASE CODE DRAWING NO A2 00779 ©-1658871 SCALE 4 SHEET 3 OF 4 REV B	Tyco Electronics Shanghai, China
--	--	--	--	-------------------------------------



REVISIONS				
P	LY	DESCRIPTION	DATE	BY
-	-	SEE SHEET 1	-	-

DETAIL E
SCALE 8:1

DETAILED HOST BOARD MECHANICAL LAYOUT

DIMENSIONS: mm		D: E: STAHL E: BRIGHT E: BRIGHT APD: 20NOV03	20NOV03 Tyco Electronics Shanghai, China
TO FINISHES ONLY: 0 PLC ±.1 1 PLC ±.05 2 PLC ±.005 3 PLC ±.003 ANGLES ±.		PRODUCT SPEC: 108-2127 APPLICATION SPEC: 114-13096	NAME: ASSEMBLY, XFP CAGE WITH INSULATING TAPE
MATERIAL: FINISH:		WEIGHT: CUSTOMER DRAWING	SIZE: A2 CASE CODE: 00779 DRAWING NO: C-1658871 RESTRICTED TO:
		SCALE: 4	SHEET 4 OF 4 REV B