

4

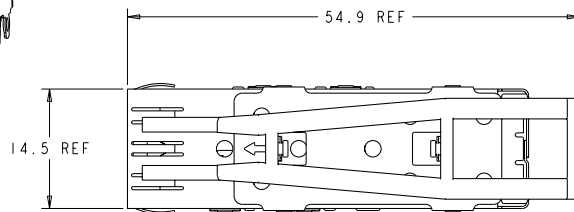
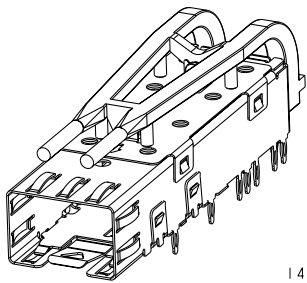
3

2

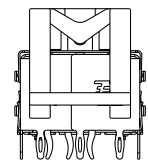
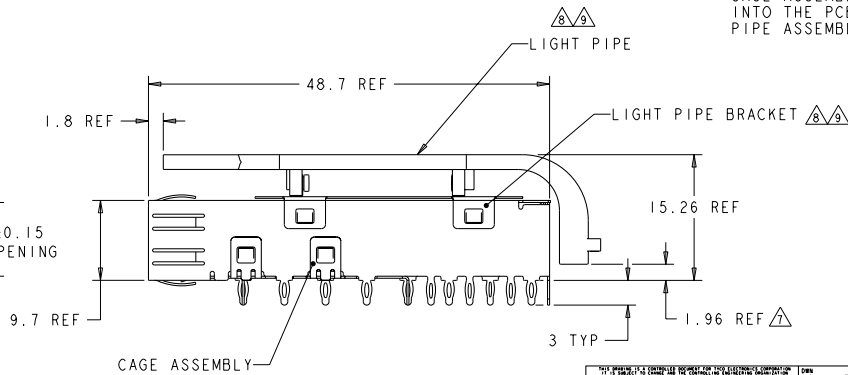
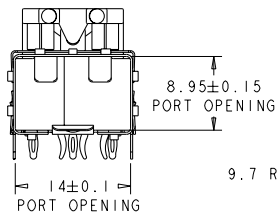
1

THIS DRAWING IS UNPUBLISHED. RELEASED FOR PUBLICATION BY TYCO ELECTRONICS CORPORATION. ALL RIGHTS RESERVED. COPYRIGHT 20

REV	DATE	BY	CHKD	APPROV
A	20APR2009	AL	ST	
B	20MAR2010	JY	ST	



- △ MATERIAL:  
CAGE: COPPER ALLOY  
LIGHTPIPE: POLYCARBONATE, CLEAR  
LIGHTPIPE BRACKET: STAINLESS STEEL.
- △ FINISH:  
CAGE: TIN 1.25 um MIN THICKNESS OVER,  
0.125 um MIN THICKNESS NICKEL.  
NONPLATED EDGES PERMISSABLE.
- 3. MATES WITH SFP MSA COMPLIANT TRANSCEIVERS.
- △ PADS AND VIAS CHASSIS GROUND.
- △ DATUM AND BASIC DIMENSIONS ESTABLISHED BY CUSTOMER.
- 6. MINIMUM PC BOARD THICKNESS:  
SINGLE SIDED: 1.50 mm  
(SHOWN ON SHEET 4).
- △ MAX HEIGHT OF LED OFF BOARD IS NOT TO EXCEED 1.14mm.
- △ LIGHT PIPE AND LIGHT PIPE BRACKET SHIPPED ASSEMBLED.
- △ LIGHT PIPE ASSEMBLY SHIPPED UNASSEMBLED TO CAGE ASSEMBLY. CAGE ASSEMBLY TO BE PRESSED INTO THE PCB PRIOR TO ATTACHING THE LIGHT PIPE ASSEMBLY TO THE CAGE.



1367629-1  
PART NUMBER

DIMENSIONS: mm 0 PLC ±0.1 1 PLC ±0.1 2 PLC ±0.1 3 PLC ±0.25 4 PLC ±0.25 ANGLES ±0.25 FINISH △		TO: BRACKET, REV 1.5 DATE: 15JAN2007 BY: BRIGHT APPR: BRIGHT DATE: 15JAN2007 PRODUCT SPEC: 108-1950 APPLICATION SPEC: 114-13120 WEIGHT: - CUSTOMER DRAWING	DWN: C VALENTIN CDR: BRIGHT DATE: 15JAN2007 NAME: CAGE ASSEMBLY 20 PRESS FIT, SFP STATE: PA CASE CODE: A200779 DRAWING NO: 1367629 SCALE: 1:1 SHEET: 1 OF 4 REV: B	Tyco Electronics Harrisburg, PA 17105-3608 RESTRICTED TO
---	--	--	--	--

4

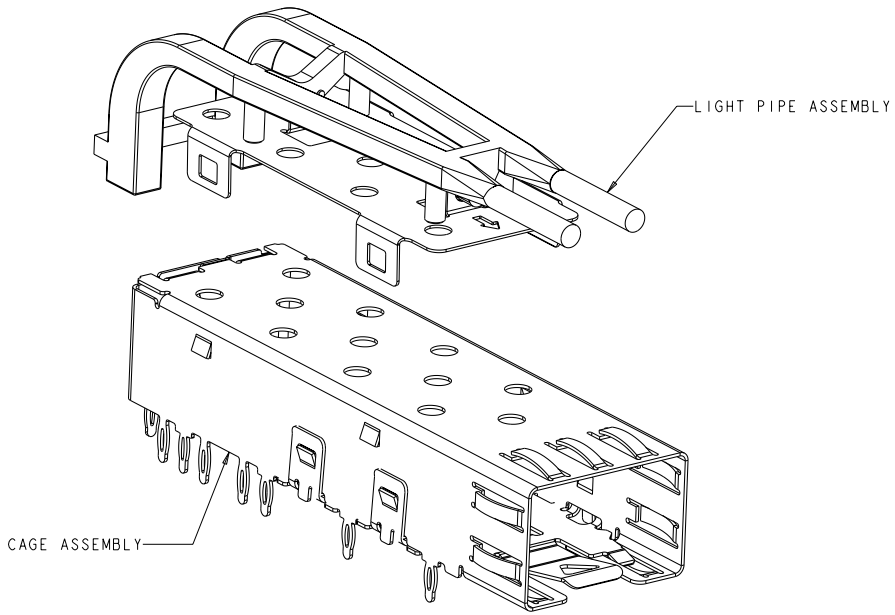
3

2

1

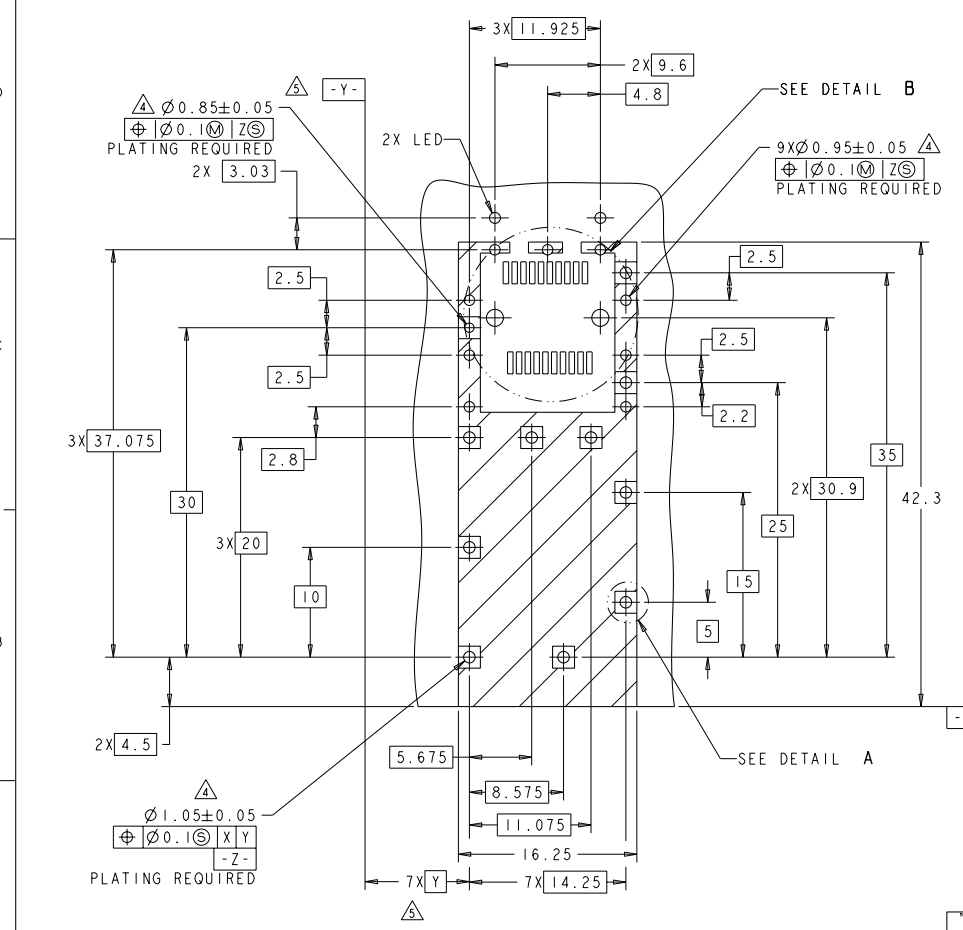
THIS DRAWING IS UNPUBLISHED. RELEASED FOR PUBLICATION  
 BY TYCO ELECTRONICS CORPORATION. ALL RIGHTS RESERVED.

LOC	DIST	REVISIONS					
GP	00	P	LYR	DESCRIPTION	DATE	OWN	APVS
		-		SEE SHEET 1	-	-	-

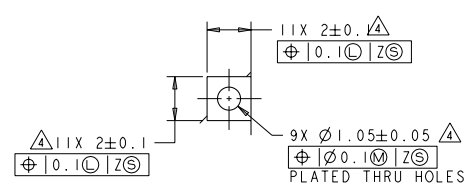


EXPLODED VIEW  
 SCALE 5:1

<small>THE DIMENSIONS CONTAINED HEREON ARE THE PROPERTY OF TYCO ELECTRONICS CORPORATION AND WILL BE KEPT CONFIDENTIAL FOR THE CUSTOMER'S USE ONLY.</small>		DWG C VALENTIN DATE 15 JAN 2007	Tyco Electronics Harrisburg, PA 17105-3608
DIMENSIONS: mm		CTR BRIGHT DATE 15 JAN 2007	NAME CAGE ASSEMBLY 20 PRESS FIT, SFP
OPERATING SPEC'S: 0 PLC .00-1 1 PLC .00-1 2 PLC .00-1 3 PLC .00-05 4 PLC .00-05 ANGLES .00-05		APPO BRIGHT DATE 15 JAN 2007	PRODUCT SPEC 108-1950 APPLICATION SPEC 114-13120
MATERIAL -		FINISH -	WEIGHT - CUSTOMER DRAWING
		SHEET A200779	CASE CODE C=1367629
		DRAWING NO -	RESTRICTED TO -
		SCALE 1:1	SHEET 2 OF 4
			REV B



REV	DATE	BY	APPROV
1	-	-	-
2	-	-	-
3	-	-	-
4	-	-	-

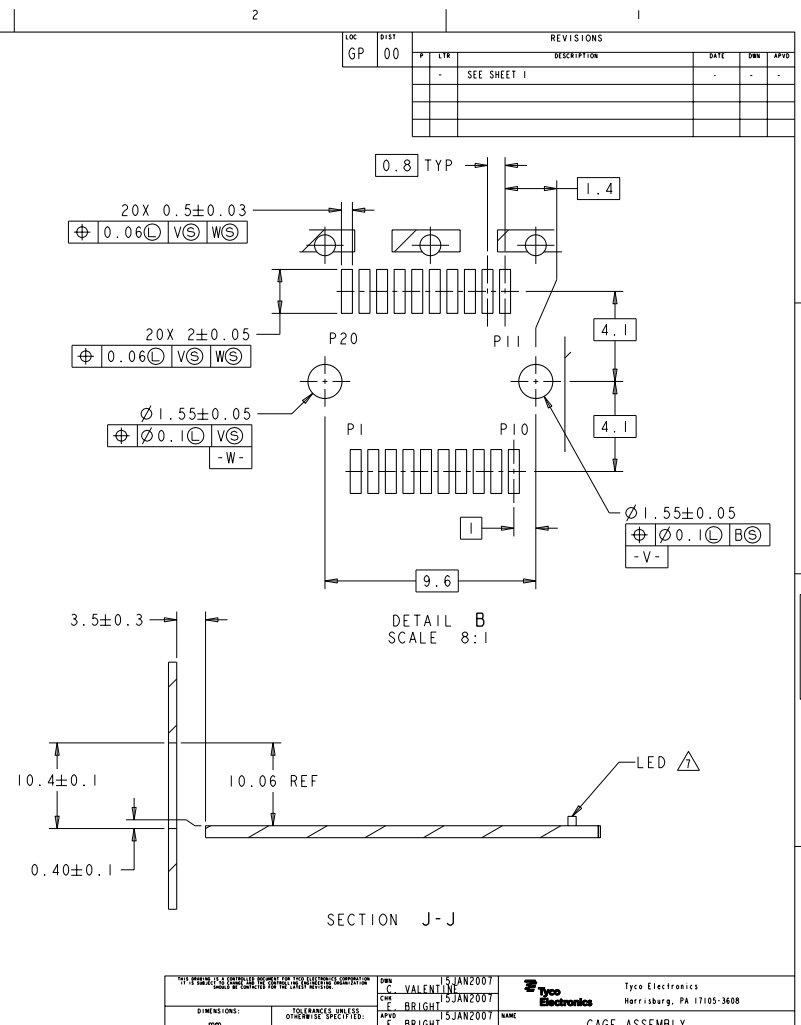
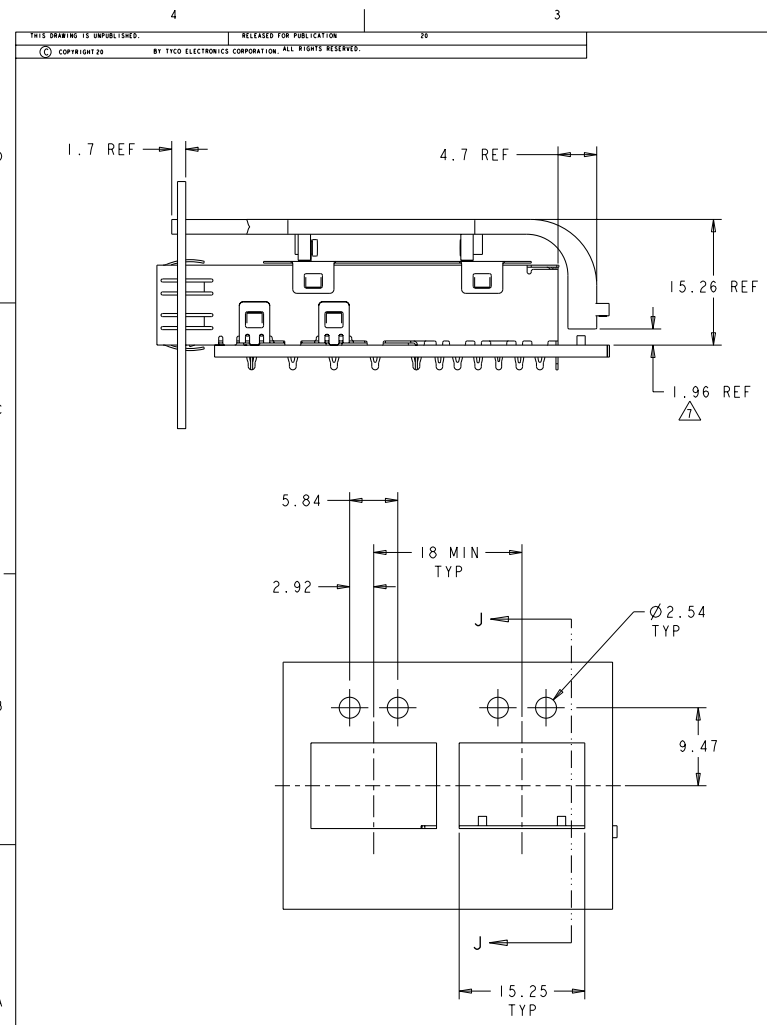


DETAIL A  
SCALE 8:1

RECOMMENDED PC BOARD LAYOUT  
SCALE 4:1

DIMENSIONS: mm TO BE USED FOR THE LAYOUT		DATE: 15 JAN 2007 BY: C. VALENTINI CHECKED: BRIGHT APPROVED: 15 JAN 2007	TITLE: CAGE ASSEMBLY PART: 20 PRESS FIT, SFP
0 PLC ±0.1 1 PLC ±0.1 2 PLC ±0.1 3 PLC ±0.25 4 PLC ±0.25 ANGLES ±0.25	PRODUCT SPEC: 108-1950 APPLICATION SPEC: 114-13120	SHEET: A2 CASE CODE: 00779 DRAWING NO: 1367629	RESTRICTED TO: - SCALE: 1:1 SHEET: 3 OF 4 REV: B
MATERIAL: - FINISH: -		WEIGHT: - CUSTOMER DRAWING	Tyco Electronics Harrisburg, PA 17105-3608

AMP 1471-B REV 3/84R2000



THIS DRAWING IS UNPUBLISHED. RELEASED FOR PUBLICATION BY TYCO ELECTRONICS CORPORATION. ALL RIGHTS RESERVED. COPYRIGHT 20

LOC	DIST	REV	DESCRIPTION	DATE	BY	APPV
GP	00					
			SEE SHEET 1			

DIMENSIONS: mm		DATE: 15 JAN 2007 CDR: C VALENTINI EDR: BRIGHT APPV: 15 JAN 2007		Tyco Electronics Harrisburg, PA 17105-3608
TO: PLCS 0 PLC #0.1 1 PLC #0.1 2 PLC #0.1 3 PLC #0.05 4 PLC #0.05 ANGLES #		PRODUCT SPEC: 108-1950 APPLICATION SPEC: 114-13120	NAME: CAGE ASSEMBLY 20 PRESS FIT, SFP	SHEET: A200779 CASE CODE: C-1367629 DRAWING NO:
MATERIAL: FINISH:		WEIGHT: CUSTOMER DRAWING	SCALE: 1:1 SHEET: 4 OF 4 REV: B	RESTRICTED TO:

AMP 1471-B REV 31MAR2000