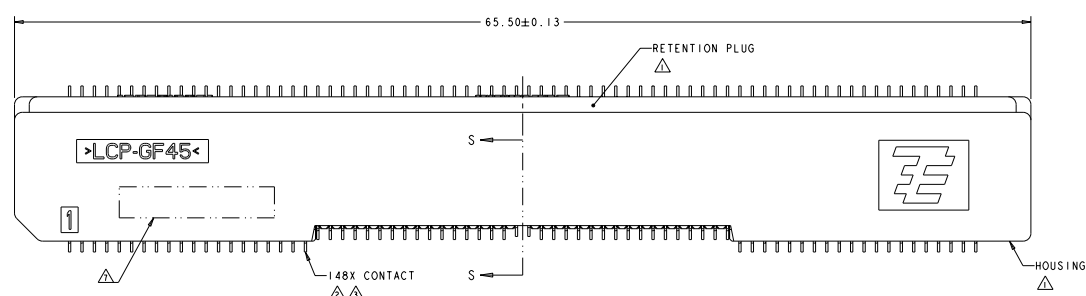
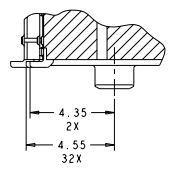
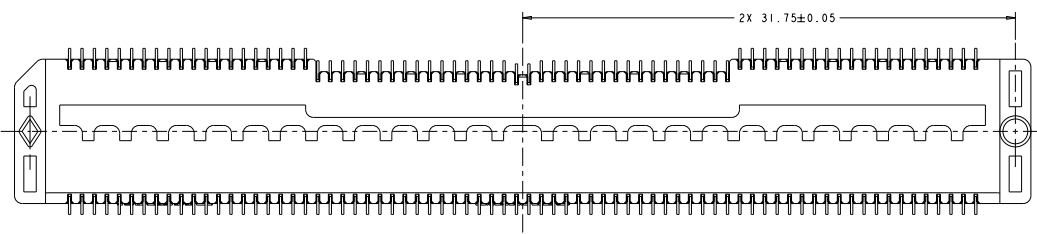
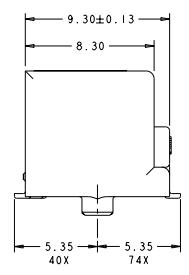
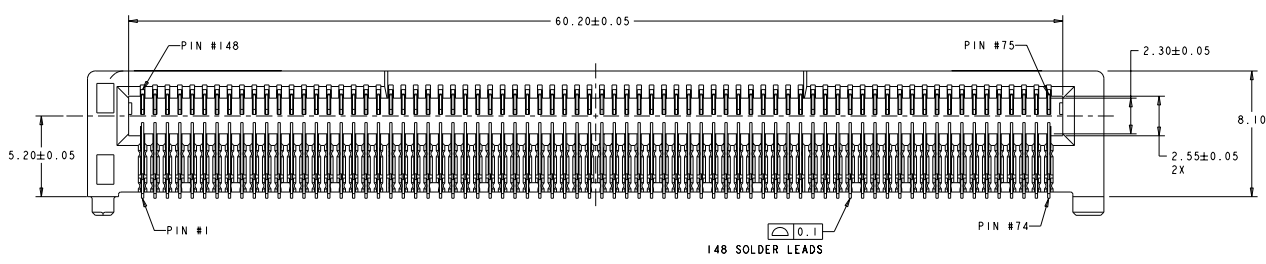


REV	DATE	DESCRIPTION	BY	CHK	APP
15		PCB HOLES WERE 2.05 NOW 2.10. ADD NOTE 7	PLUMMER	MS	DS
16		ADD 2399 TO NOTE 1. REV 2.99 FROM NOTE 6	PLUMMER	MS	DS



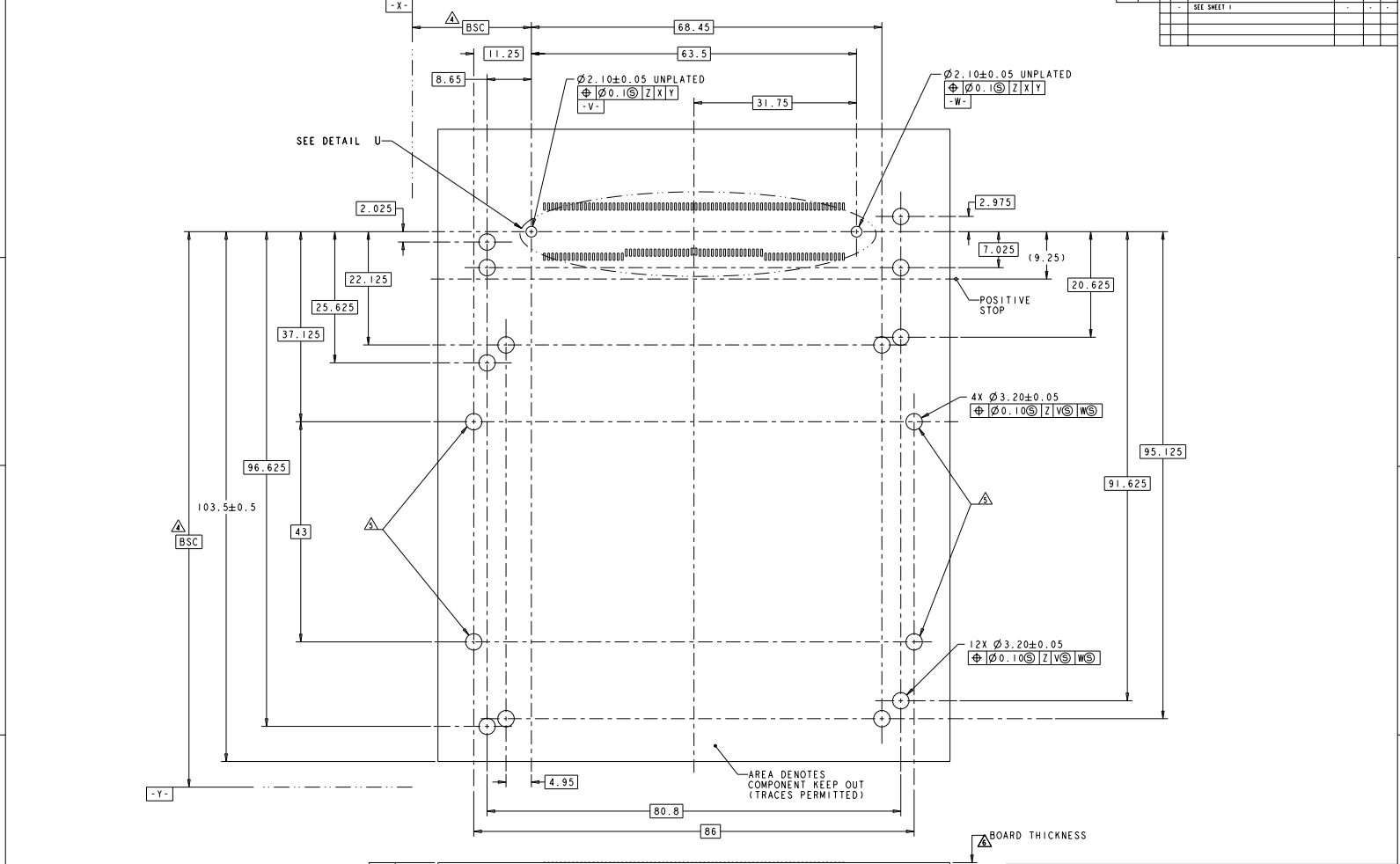
- △ HOUSING AND RETENTION PLUG MATERIAL: POLYESTER LCP.
- △ CONTACT MATERIAL: COPPER ALLOY.
- △ CONTACT FINISH: CONFORMS TO THE REQUIREMENTS OF THE PRODUCT SPECIFICATION 108-2399, BASED ON EIA/ECA-364-1000.01A. (CONTROLLED ENVIRONMENT APPLICATIONS) ON MATING END. TIN PLATED ON SOLDER TAILS.
- △ DATUMS AND BASIC DIMENSIONS ARE TO BE ESTABLISHED BY CUSTOMERS FIDUCIALS.
- △ OPTIONAL HOLES FOR M3x0.5 SCREW/STANDOFFS.
- △ BELLY TO BELLY PCB THICKNESS: 3.40 ± 0.40 mm.
- △ PART NUMBER AND DATE CODE MARKED IN APPROXIMATE AREA SHOWN.



2057630-1
 PART NUMBER

DATE: 08/20/2008	REV: 00	BY: JEL/LLH	CHK: 08/20/2008	DATE: 08/20/2008	BY: JEL/LLH	CHK: 08/20/2008
DESCRIPTION: RECEPTACLE ASSEMBLY, HOST, CFP, PLUGGABLE	PROJECT: 2057630	STATE: PA	CITY: HARRISBURG	ZIP: 17105-3600	SCALE: 10:1	DATE CODE: 00779
CUSTOMER DRAWING			PART NUMBER: 2057630-1			

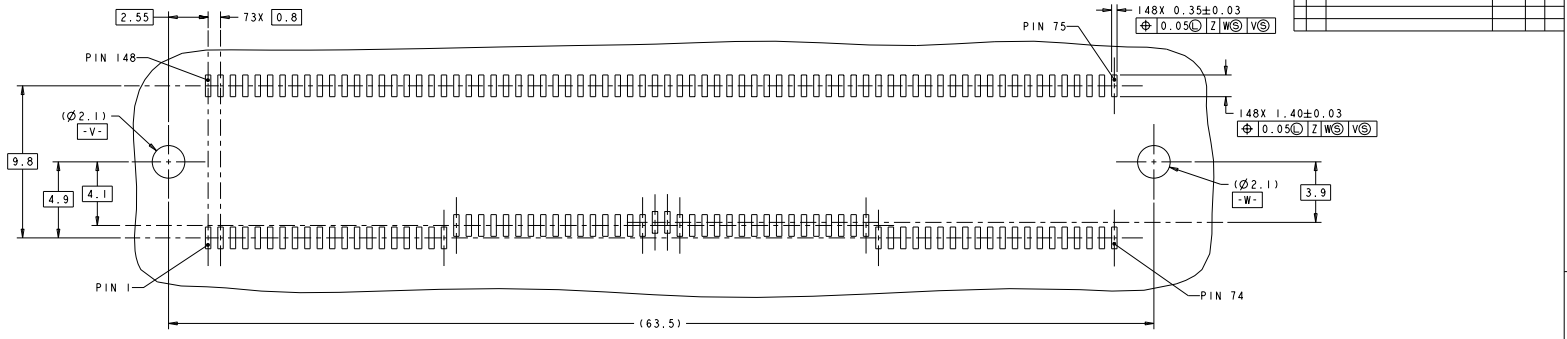
REVISOR		DESCRIPTION	DATE	BY
1	SEE SHEET 1			



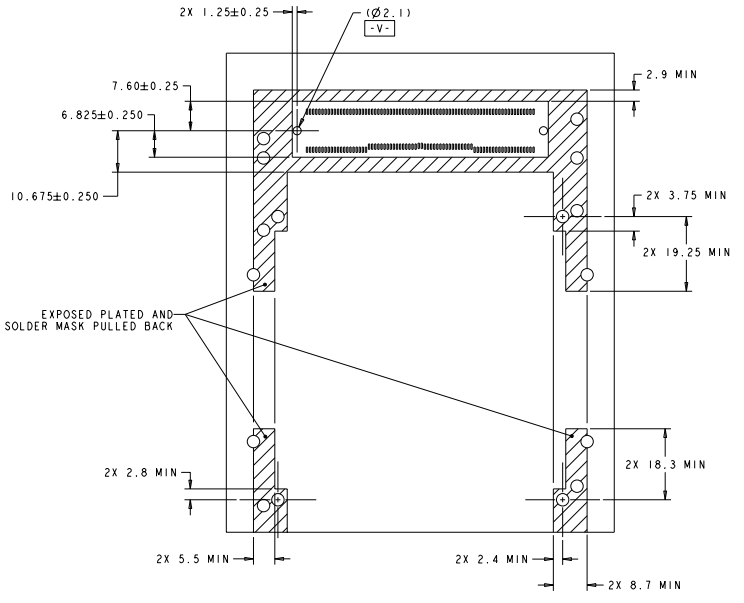
RECOMMENDED PCB LAYOUT FOR SINGLE SIDE MOUNTING
SCALE 3:1

DATE: 08/24/2018 BY: PCB ELECTRONICS CORPORATION	PROJECT: 2057630 PART: 00779	REV: 1 DATE: 08/24/2018	CUSTOMER: Tyco Electronics ADDRESS: Harrisburg, PA 17105-3600
TITLE: RECEPTACLE ASSEMBLY, HOST, CFP, PLUGGABLE	STATE: PA COUNTY: YORK	DRAWING NO: 00779	PART NO: 2057630
SHEET: 1	OF: 1	SCALE: 3:1	DATE: 08/24/2018

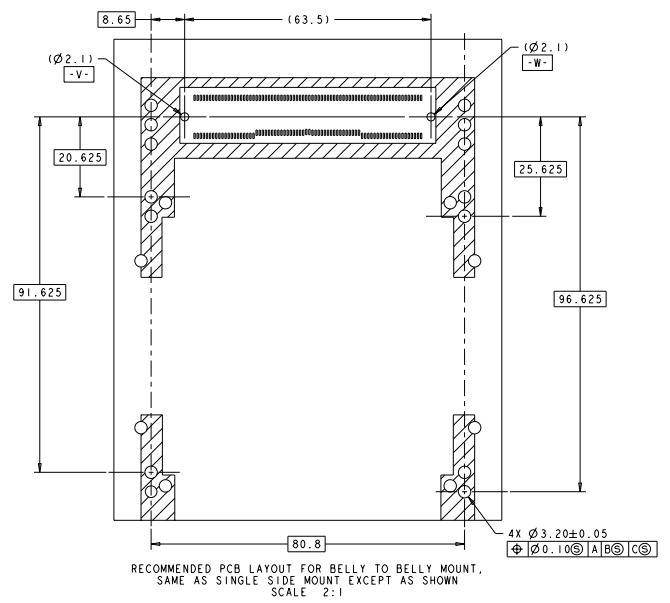
REVISOR		DESCRIPTION	DATE	BY	CHK
1	SEE SHEET 1				



DETAIL U
RECOMMENDED HOST CONNECTOR PCB LAYOUT
SCALE 8:1



RECOMMENDED COMPONENT AND TRACE KEEPOUT AREA
SCALE 2:1



RECOMMENDED PCB LAYOUT FOR BELLY TO BELLY MOUNT.
SAME AS SINGLE SIDE MOUNT EXCEPT AS SHOWN
SCALE 2:1

REV: 00	DATE: 08/24/2016	BY: PCB ELECTRONICS CORPORATION	CHK: 00	DATE: 08/24/2016	BY: PCB ELECTRONICS CORPORATION
PART NAME: RECEPTACLE ASSEMBLY, HOST, CFP, PLUGGABLE			PART NUMBER: 00779		
SCALE: 8:1			SHEET: 3 OF 3		