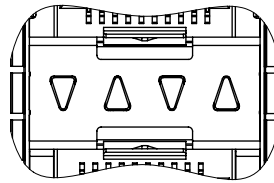
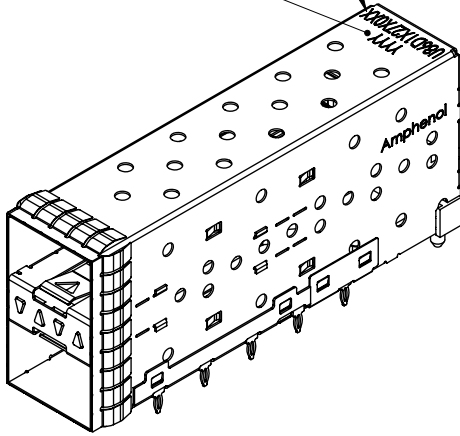


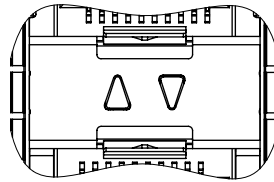


PART NUMBER
(LAST DIGIT INDICATING
PACKAGING TYPE, NOT
PRINTED ON THE PART)

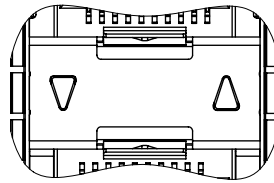
DATE CODE



U86-D1627-10XX1
4 LIGHT PIPES



U86-D1627-20XX1
2 INNER PIPES



U86-D1627-30XX1
2 OUTER PIPES

REVISIONS			
REV	DESCRIPTION	DATE	APPRD
A	PROPOSAL DRAWING	JUN18/09	

NOTES:

MATERIAL:

CAGE - PRESS FIT:
COPPER ALLOY

PLATING:
SEE AMPHENOL PART NUMBER
CONFIGURATION FOR OPTIONS.

CONNECTOR - PRESS FIT:

PLASTIC HOUSING:
LCP, FLAMMABILITY RATING UL94-0.

CONTACTS:
PHOSPHOR BRONZE PLATING OPTION:
NICKEL 2.54 µm MIN.

LIGHT PIPE:
CLEAR POLYCARBONATE, FLAMMABILITY
RATING UL94-0.

PACKAGING:
TRAY PACKAGING.

TEMPERATURE RANGE:
-40°C TO +85°C

AMPHENOL PART NUMBER CONFIGURATION

U86 - D 1 6 2 7 - X 0 X X 1

LIGHT PIPE CONFIGURATION

- 1 = 4 LIGHT PIPES
- 2 = 2 INNER LIGHT PIPES
- 3 = 2 OUTER LIGHT PIPES

PACKAGING

- 1 = TRAY

PRESS FIT CONNECTOR PLATING

- 1 = 0.76 µm MIN. GOLD ON MATING AREA
- 3.81-7.62 µm TIN/LEAD ON TERMINATION
- 4 = 0.38 µm MIN. GOLD ON MATING AREA
- 3.81-7.62 µm TIN/LEAD ON TERMINATION

CAGE PLATING

- 2 = NICKEL

DO NOT SCALE DRAWING

THIS DOCUMENT CONTAINS PROPRIETARY INFORMATION AND SUCH INFORMATION MAY NOT BE DISCLOSED TO OTHERS FOR ANY PURPOSE OR USED FOR MANUFACTURING PURPOSES WITHOUT PERMISSION FROM AMPHENOL CANADA CORP.

UNLESS OTHERWISE SPECIFIED
DIMENSIONS ARE IN MILLIMETERS
TOLERANCES ARE:

DECIMALS ANGLES
X.X ± 0.25 ± 1°
X.XX ± 0.15

MATERIAL AND FINISH

N/A

REF. X

CODE IDENT. NO. 03554

APPROVALS		DATE	
DRAWN	J.SI	FEB23/09	
DESIGNED	J.SI	FEB23/09	
CHECKED	X	X	
QA APPD	X	X	
IE APPD	X	X	

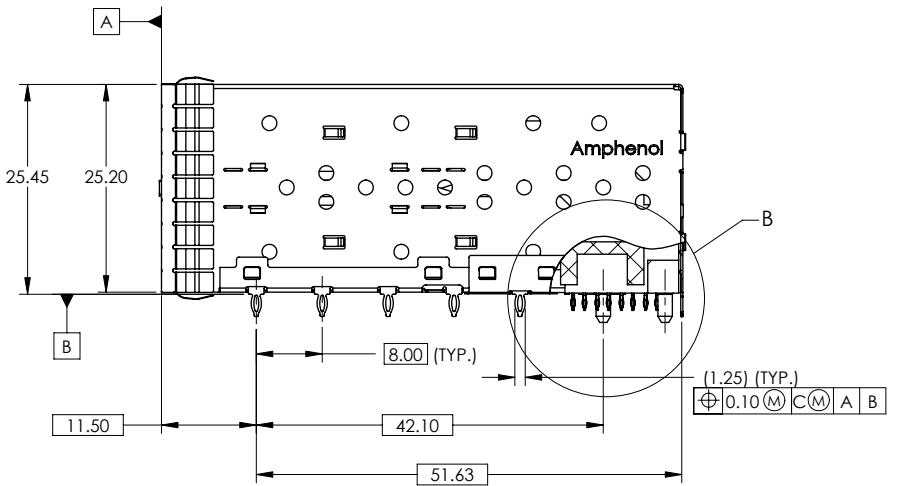
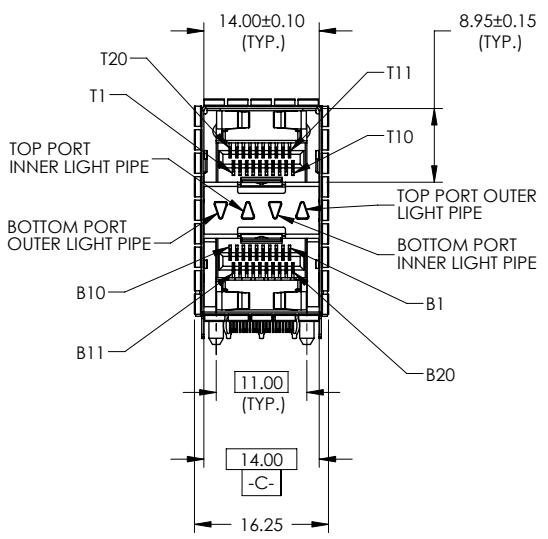
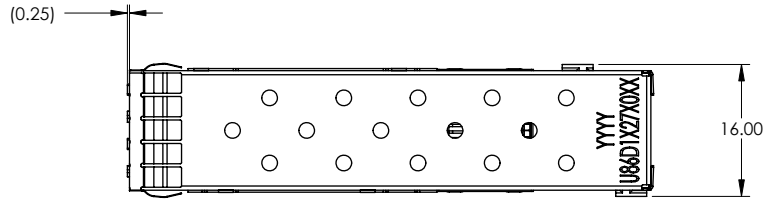
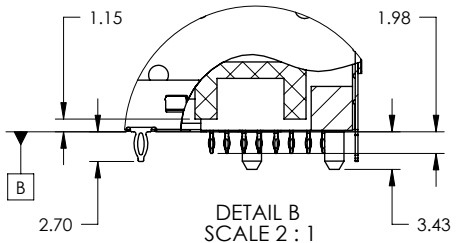
Amphenol Canada Corp.

TITLE
2X1 SFP+ ULTRA-PORT COMBO
WITH LIGHT PIPE
(SPRING FINGER GASKET)

SIZE A4 DWG. NO. P-U86-D1627-X0XX1 REV. A

SCALE 3:2 PROJECT SHEET 1 OF 4

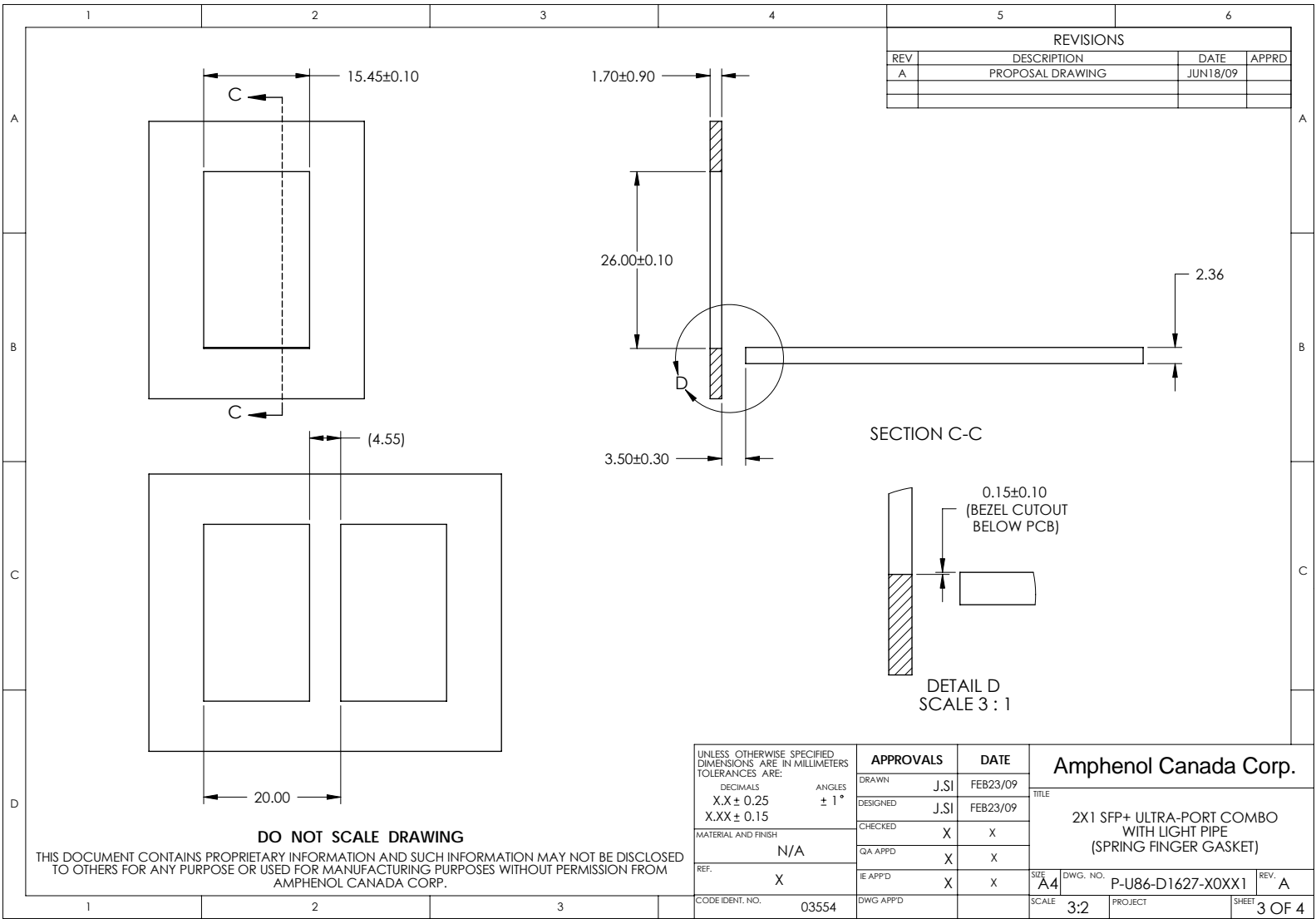
REVISIONS			
REV	DESCRIPTION	DATE	APPRD
A	PROPOSAL DRAWING	JUN18/09	



DO NOT SCALE DRAWING

THIS DOCUMENT CONTAINS PROPRIETARY INFORMATION AND SUCH INFORMATION MAY NOT BE DISCLOSED TO OTHERS FOR ANY PURPOSE OR USED FOR MANUFACTURING PURPOSES WITHOUT PERMISSION FROM AMPHENOL CANADA CORP.

UNLESS OTHERWISE SPECIFIED DIMENSIONS ARE IN MILLIMETERS TOLERANCES ARE:		APPROVALS		DATE		Amphenol Canada Corp.	
DECIMALS	ANGLES	DRAWN	J.SI	FEB23/09	TITLE		
X.X ± 0.25	± 1°	DESIGNED	J.SI	FEB23/09	2X1 SFP+ ULTRA-PORT COMBO WITH LIGHT PIPE (SPRING FINGER GASKET)		
X.XX ± 0.15		CHECKED	X	X			
MATERIAL AND FINISH	N/A	QA APPD	X	X			
REF.	X	IE APPD	X	X	SIZE	A4	DWG. NO. P-U86-D1627-X0XX1 REV. A
CODE IDENT. NO.	03554	DWG APPD			SCALE	1.5:1	PROJECT SHEET 2 OF 4



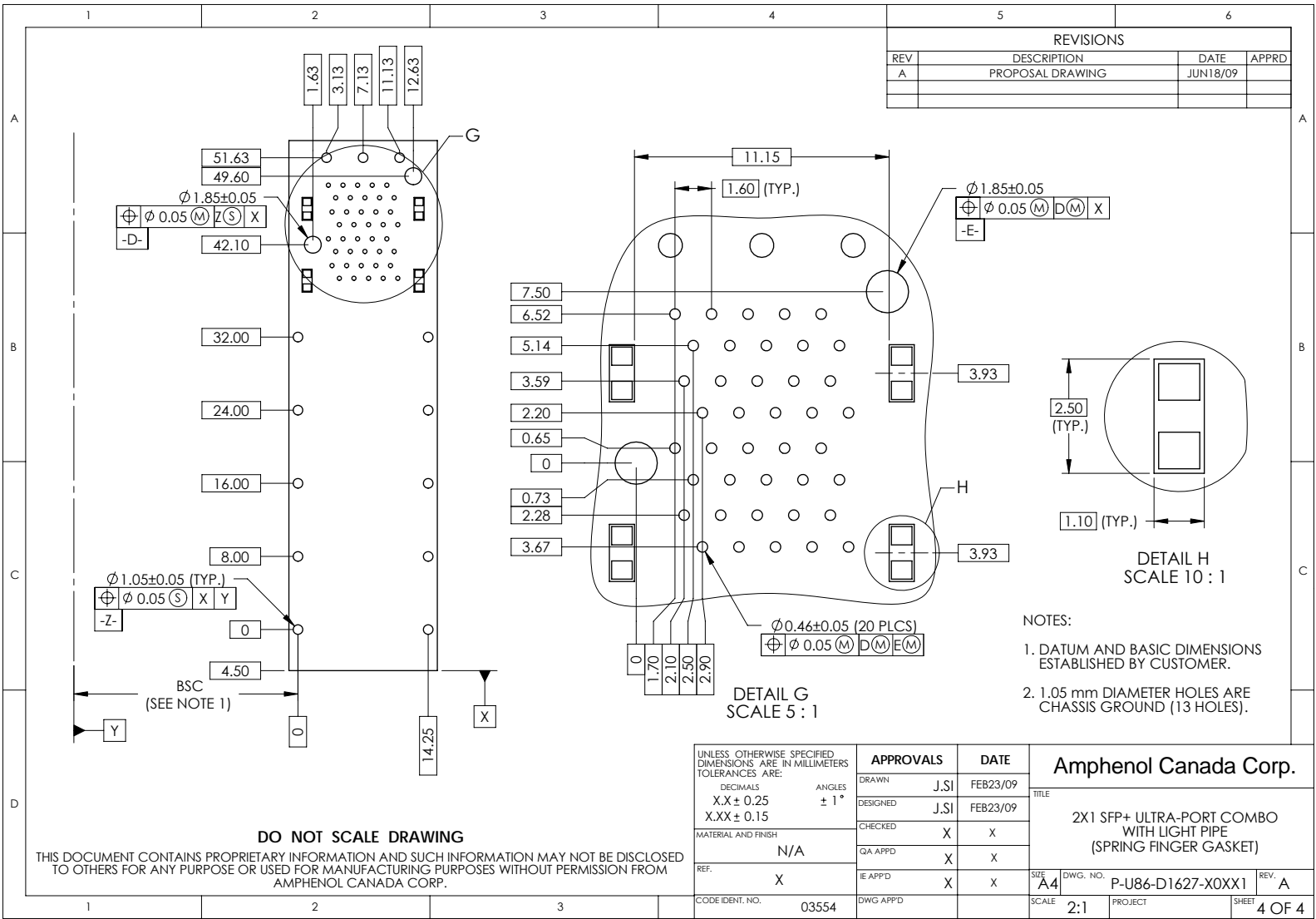
REVISIONS			
REV	DESCRIPTION	DATE	APPRD
A	PROPOSAL DRAWING	JUN18/09	

UNLESS OTHERWISE SPECIFIED DIMENSIONS ARE IN MILLIMETERS TOLERANCES ARE:		APPROVALS	DATE
DECIMALS	ANGLES	DRAWN	FEB23/09
X.X ± 0.25	± 1°	DESIGNED	FEB23/09
X.XX ± 0.15		CHECKED	X X
MATERIAL AND FINISH		QA APPD	X X
REF.		IE APPD	X X
CODE IDENT. NO.	03554	DWG APPD	

Amphenol Canada Corp.			
TITLE			
2X1 SFP+ ULTRA-PORT COMBO WITH LIGHT PIPE (SPRING FINGER GASKET)			
SIZE	DWG. NO.	REV.	
A4	P-U86-D1627-X0XX1	A	
SCALE	PROJECT	SHEET	
3:2		3 OF 4	

DO NOT SCALE DRAWING

THIS DOCUMENT CONTAINS PROPRIETARY INFORMATION AND SUCH INFORMATION MAY NOT BE DISCLOSED TO OTHERS FOR ANY PURPOSE OR USED FOR MANUFACTURING PURPOSES WITHOUT PERMISSION FROM AMPHENOL CANADA CORP.



REVISIONS			
REV	DESCRIPTION	DATE	APPRD
A	PROPOSAL DRAWING	JUN18/09	

- NOTES:
- DATUM AND BASIC DIMENSIONS ESTABLISHED BY CUSTOMER.
 - 1.05 mm DIAMETER HOLES ARE CHASSIS GROUND (13 HOLES).

DO NOT SCALE DRAWING

THIS DOCUMENT CONTAINS PROPRIETARY INFORMATION AND SUCH INFORMATION MAY NOT BE DISCLOSED TO OTHERS FOR ANY PURPOSE OR USED FOR MANUFACTURING PURPOSES WITHOUT PERMISSION FROM AMPHENOL CANADA CORP.

UNLESS OTHERWISE SPECIFIED DIMENSIONS ARE IN MILLIMETERS TOLERANCES ARE:		APPROVALS		DATE		Amphenol Canada Corp.	
DECIMALS	ANGLES	DRAWN	J.SI	FEB23/09	TITLE		
X.X ± 0.25	± 1°	DESIGNED	J.SI	FEB23/09	2X1 SFP+ ULTRA-PORT COMBO WITH LIGHT PIPE (SPRING FINGER GASKET)		
X.XX ± 0.15		CHECKED	X	X	SIZE		
MATERIAL AND FINISH	N/A	QA APPD	X	X	A4		
REF.	X	IE APPD	X	X	DWG. NO. P-U86-D1627-X0XX1		
CODE IDENT. NO.	03554	DWG APPD			SCALE		2:1
						PROJECT	
						SHEET	4 OF 4