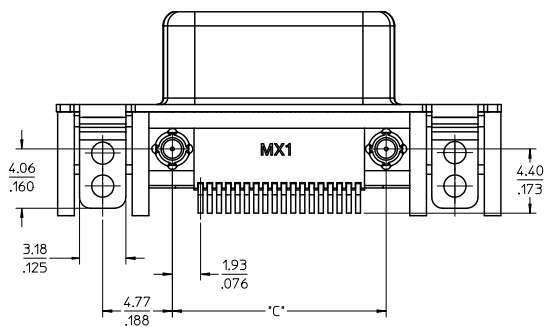
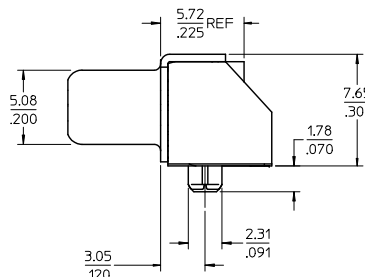
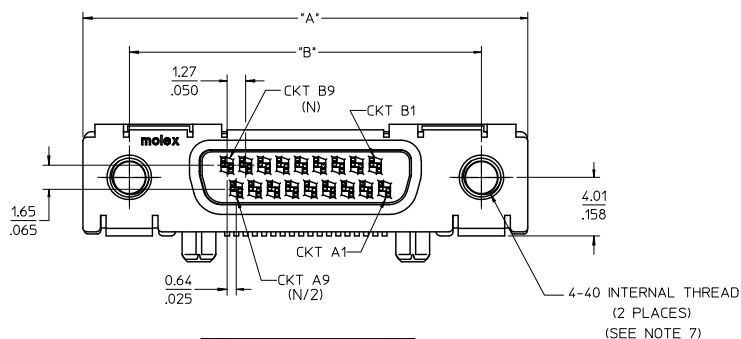
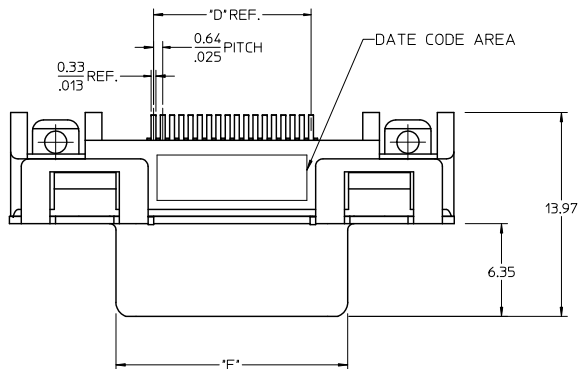
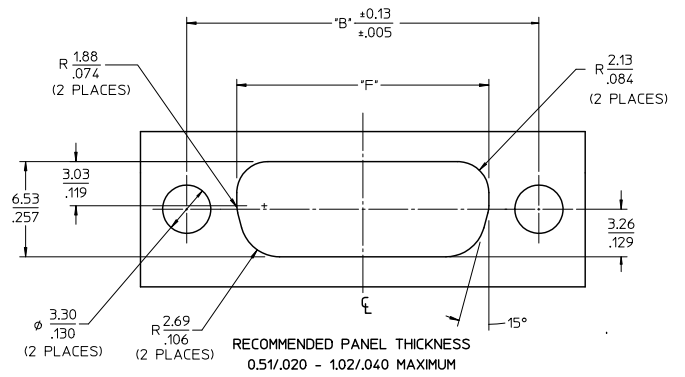
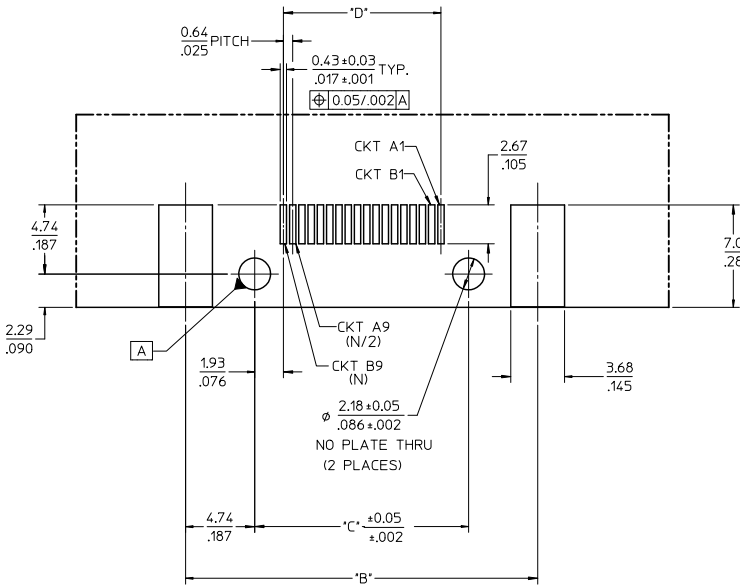


- NOTES:
1. MATERIALS:
SHIELD - DEEP DRAWN STEEL
HOUSING - GLASS FILLED POLYMER, BLACK, UL 94V-0
CONTACTS - COPPER ALLOY
 2. PLATING:
TERMINALS - SELECTIVE GOLD (Au) THICKNESS IN CONTACT AREA,
0.38 MICROMETERS/15 MICROINCHES MINIMUM,
SELECTIVE MATTE TIN (Sn) THICKNESS IN PC TAIL AREA,
2.54 MICROMETERS/100 MICROINCHES MINIMUM,
OVER NICKEL (Ni) UNDERPLATE OVERALL.
SHIELD - 2.54 MICROMETERS/100 MICROINCHES MINIMUM MATTE TIN (Sn)
OVER 1.27 MICROMETERS/50 MICROINCHES MINIMUM NICKEL (Ni)
OVER COPPER (Cu) UNDERPLATE OVERALL.
 3. PC SMT TAILS AND 2 GROUND TABS ARE TO BE COPLANAR WITHIN 0.127/0.005.
 4. PARTS TO BE PACKAGED IN TAPE AND REEL. SEE CHART ON SHEET 2 FOR PACKAGING SPECIFICATION.
 5. REFER TO SHEET 2 FOR RECOMMENDED PCB LAYOUT AND PANEL CUT-OUT.
 6. PRODUCT CONFORMS TO MOLEX PRODUCT SPECIFICATION PS-74960-000.
 7. FOR TDP RECEPTACLE WITH M3 INTERNAL THREAD OPTION CONTACT PRODUCT MARKETING.



ADDED DATE CODE EC No: UCP2011-0882 CHKD: J.JANTELEZ APPR: MBANAKIS 2010/10/29	DESCRIPTION D	QUALITY SYMBOLS ▽.0 ▽.0	GENERAL TOLERANCES (UNLESS SPECIFIED)		SCALE 5:1	DESIGN UNITS INCH	THIRD ANGLE PROJECTION	REVISE ON CAD ONLY												
			<table border="1"> <tr> <th></th> <th>mm</th> <th>INCH</th> </tr> <tr> <td>4 PLACES</td> <td>±.005</td> <td>±.0005</td> </tr> <tr> <td>3 PLACES</td> <td>±.010</td> <td>±.0010</td> </tr> <tr> <td>2 PLACES</td> <td>±.025</td> <td>±.0025</td> </tr> <tr> <td>1 PLACE</td> <td>±.038</td> <td>±.0038</td> </tr> </table>			mm	INCH	4 PLACES	±.005	±.0005	3 PLACES	±.010	±.0010	2 PLACES	±.025	±.0025	1 PLACE	±.038	±.0038	DIMENSION STYLE MM/IN
	mm	INCH																		
4 PLACES	±.005	±.0005																		
3 PLACES	±.010	±.0010																		
2 PLACES	±.025	±.0025																		
1 PLACE	±.038	±.0038																		
DRAFT WHERE APPLICABLE MUST REMAIN WITHIN DIMENSIONS			DRAWN BY JJANTELEZ 07/15/2008		DATE 07/15/2008		MATERIAL NO. SEE CHART													
			CHECKED BY TMCLELL 07/15/2008		DATE 07/15/2008		DOCUMENT NO. SD-74960-010													
			APPROVED BY MBANAKIS 2010/10/29		DATE 2010/10/29		SHEET NO. 1 OF 3													
THIS DRAWING CONTAINS INFORMATION THAT IS PROPRIETARY TO MOLEX INCORPORATED AND SHOULD NOT BE USED WITHOUT WRITTEN PERMISSION																				



NOT TOOLED	MATERIAL NUMBER	CIRCUIT SIZE	"A" DIMENSION	"B" DIMENSION	"C" DIMENSION	"D" DIMENSION	"E" DIMENSION	"F" DIMENSION	PACKAGING SPECIFICATION	
	74960-3018	18	30.48 1.200	24.13 .950	14.66 .577	10.80 .425	15.87 .625	17.27 .680	PK-74960-995	
	74960-3028	28	36.83 1.450	30.48 1.200	21.01 .827	17.15 .675	22.17 .873	23.62 .930	PK-74960-995	
X	74960-3038	38	43.18 1.700	36.83 1.450	27.36 1.077	23.50 .925	28.52 1.123	29.97 1.180	N/A	CONTACT PRODUCT MARKETING
	74960-3048	48	49.53 1.950	43.18 1.700	33.71 1.327	29.85 1.175	34.87 1.373	36.32 1.430	PK-74960-996	
X	74960-3072	72	64.77 2.550	58.42 2.300	48.95 1.927	45.09 1.775	50.11 1.973	51.56 2.030	N/A	CONTACT PRODUCT MARKETING

NOTES:

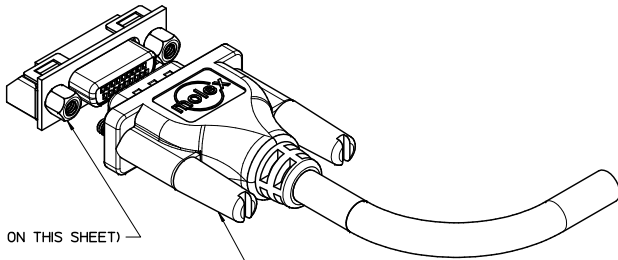
- ALL DIMENSIONS ON THIS SHEET ARE ±0.13/.005 TOLERANCE UNLESS OTHERWISE SPECIFIED.
- DIMENSIONS SHOWN ABOUT A CENTERLINE ARE SYMMETRICAL ABOUT THAT CENTERLINE WITHIN HALF THE SPECIFIED TOLERANCE.

SEE SHEET 1 EC NO: UCP2011-0882 DRWN: JJANTELEZ 2009/11/25 CHKD: JJANTELEZ 2010/10/29 APPR: MBANAKIS 2010/10/29	QUALITY SYMBOLS ▽-0 ▽-0	GENERAL TOLERANCES (UNLESS SPECIFIED)	SCALE 5:1	DESIGN UNITS INCH	THIRD ANGLE PROJECTION	REVISE ON CAD ONLY												
		<table border="1"> <thead> <tr> <th></th> <th>mm</th> <th>INCH</th> </tr> </thead> <tbody> <tr> <td>4 PLACES</td> <td>±---</td> <td>±---</td> </tr> <tr> <td>3 PLACES</td> <td>±---</td> <td>±.010</td> </tr> <tr> <td>2 PLACES</td> <td>±0.25</td> <td>±.015</td> </tr> <tr> <td>1 PLACE</td> <td>±0.38</td> <td>±---</td> </tr> </tbody> </table>		mm	INCH	4 PLACES	±---	±---	3 PLACES	±---	±.010	2 PLACES	±0.25	±.015	1 PLACE	±0.38	±---	DIMENSION STYLE MM/IN
	mm	INCH																
4 PLACES	±---	±---																
3 PLACES	±---	±.010																
2 PLACES	±0.25	±.015																
1 PLACE	±0.38	±---																
		DRAFT WHERE APPLICABLE MUST REMAIN WITHIN DIMENSIONS	APPROVED BY MBANAKIS 2010/10/29	DATE 07/15/2008	CHECKED BY TMCLELL 07/15/2008	DATE 07/15/2008												
			MATERIAL NO. SEE CHART	DOCUMENT NO. SD-74960-010	SHEET NO. 2 OF 3													

13 12 11 10 9 8 7 6 5 4 3 2 1

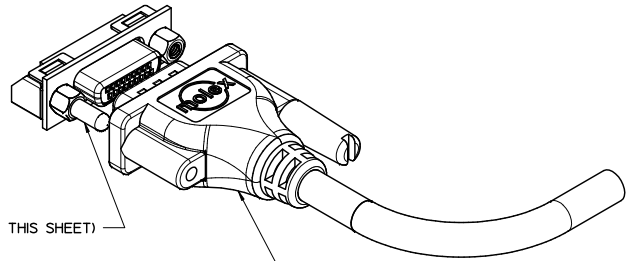
STANDARD CONFIGURATION

OPTIONAL CONFIGURATION



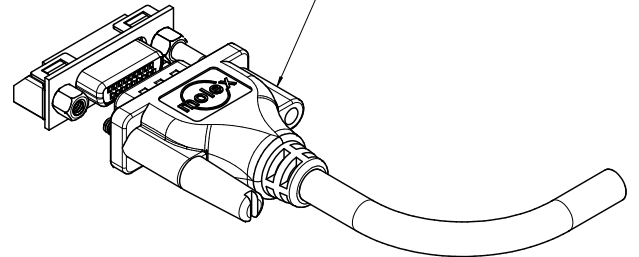
(SEE NOTE 1 ON THIS SHEET)

SEE SALES DRAWING SD-74576-000 FOR STANDARD CABLE PART NUMBER



(SEE NOTE 2 ON THIS SHEET)

SEE SALES DRAWING SD-74576-0300 FOR OPTIONAL CABLE PART NUMBER



RECOMMENDED JACKPOST INTERNAL THREAD OPTIONS (SEE NOTE 1 ON THIS SHEET)		OPTIONAL JACKPOST POLARIZATION HARDWARE (SEE NOTE 2 ON THIS SHEET)
4-40	M3	
74962-0001	74962-0002	74962-0100
<p>4-40 THREAD INTERNAL THREAD</p>		<p>4-40 THREAD</p>

1. RECOMMENDED JACK POST MOUNTING HARDWARE (QTY 2 PER ASSEMBLY). SEE CHART FOR ITEM NUMBERS AND SALES DRAWING SD-74962-000.
2. OPTIONAL JACK POST POLARIZATION HARDWARE.(QTY 1 PER ASSEMBLY). SEE CHART FOR ITEM NUMBER AND SALES DRAWING SD-74962-100.

SEE SHEET 1 EC NO: UCP2011-0882 DRAWN: J JANTELEZIO 2009/11/25 CHKD: J JANTELEZIO APPR: MBANAKIS 2010/10/29	QUALITY SYMBOLS	GENERAL TOLERANCES (UNLESS SPECIFIED)	DIMENSION STYLE	SCALE	DESIGN UNITS	THIRD ANGLE PROJECTION
	$\nabla=0$ $\nabla=0$ $\nabla=0$	mm INCH 4 PLACES ± --- ± --- 3 PLACES ± --- ± .010 2 PLACES ± 0.25 ± .015 1 PLACE ± 0.38 ± --- ANGULAR ± 1/2°	MM/IN DRAWN BY DATE J JANTELEZIO 07/15/2008 CHECKED BY DATE TMCCLELL 07/15/2008 APPROVED BY DATE MBANAKIS 2010/10/29	4:1	INCH	THIRD ANGLE PROJECTION
		DRAFT WHERE APPLICABLE MUST REMAIN WITHIN DIMENSIONS	MATERIAL NO. SEE SHEET 1	TITLE SALES DRAWING - PCIE/TDP SMT RECEPTACLE ASSEMBLY	MOLEX INCORPORATED DOCUMENT NO. SD-74960-010	SHEET NO. 3 OF 3
			SIZE C THIS DRAWING CONTAINS INFORMATION THAT IS PROPRIETARY TO MOLEX INCORPORATED AND SHOULD NOT BE USED WITHOUT WRITTEN PERMISSION			

12 11 10 9 8 7 6 5 4 3 2 1