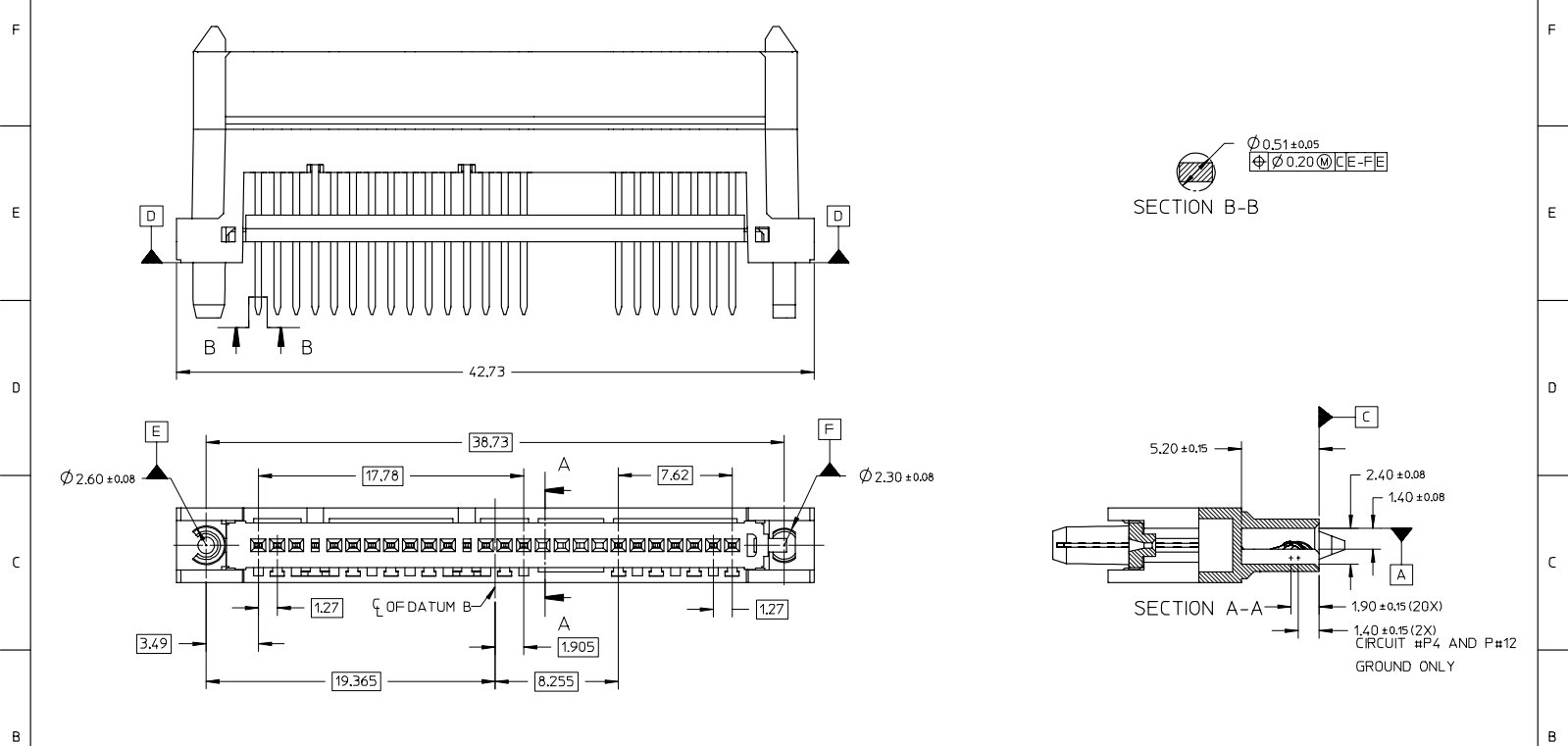
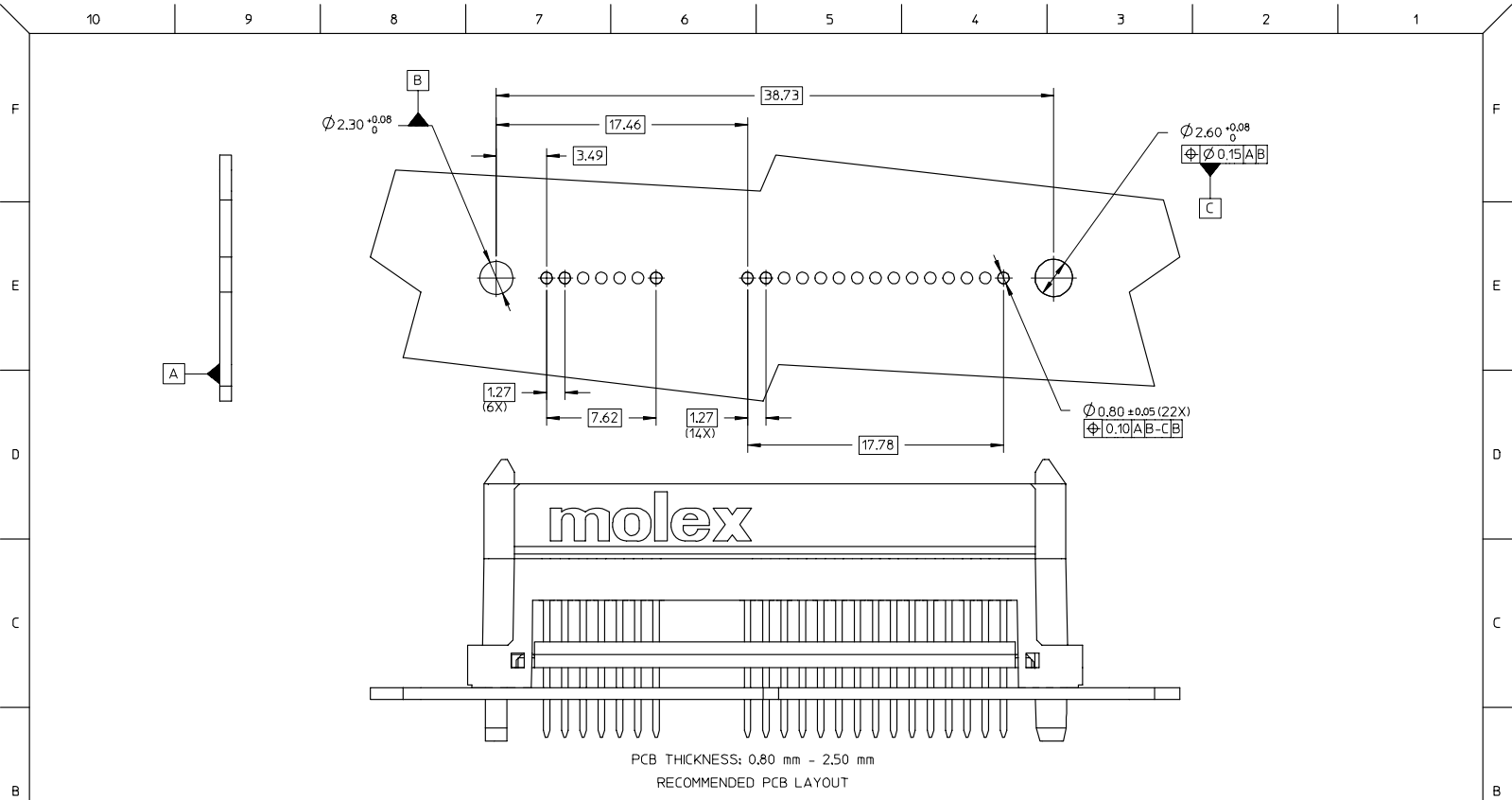


10 9 8 7 6 5 4 3 2 1



OBS. TIN/LEAD P/N EC NO. S2006-0984 DRAWING NO. 2006/04/04 CHKD BY CHIKOYUKI APPR. BY KCLING 2006/04/04	QUALITY SYMBOLS	GENERAL TOLERANCES (UNLESS SPECIFIED)	DIMENSION STYLE		SCALE	DESIGN UNITS	THIRD ANGLE PROJECTION		
	$\nabla=0$ $\nabla=0$		mm	INCH	MM ONLY	NTS		METRIC	
			4 PLACES ± ---	± ---	DRAWN BY DKOH	DATE 2003/03/20		TITLE SERIAL ATA BACKPLANE EXT. HT., RECEPT., T/H	
			3 PLACES ± ---	± ---	CHECKED BY XCLING	DATE 2003/03/28		MOLEX INCORPORATED	
2 PLACES ± 0.20	± ---	APPROVED BY SKTOH	DATE 2003/03/31	MATERIAL NO. 87678-1001	DOCUMENT NO. SD-87678-023	SHEET NO. 2 OF 4			
1 PLACE ± ---	± ---	ANGULAR ± 3 °	DRAFT WHERE APPLICABLE MUST REMAIN WITHIN DIMENSIONS		THIS DRAWING CONTAINS INFORMATION THAT IS PROPRIETARY TO MOLEX INCORPORATED AND SHOULD NOT BE USED WITHOUT WRITTEN PERMISSION				

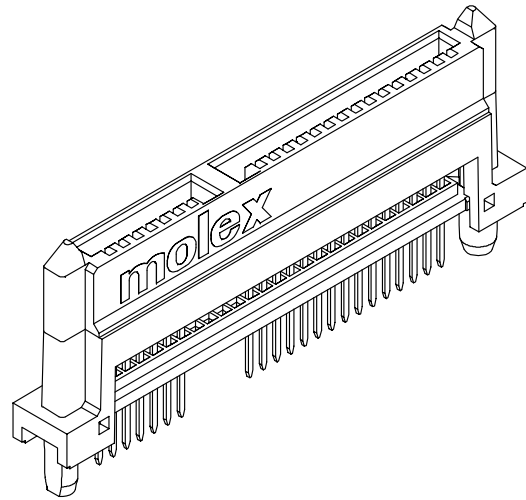
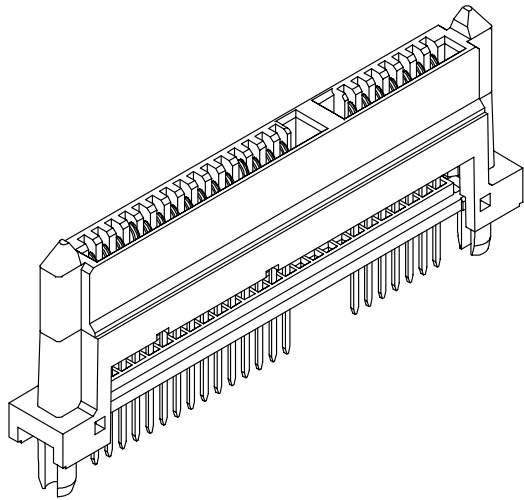


OBS: TIN/LEAD P/N EC NO: S2006-0984 DRAWING NO: 2006/04/04 CHECKED BY: CHIKOYUKI APPROV: KCLING DATE: 2006/04/04	QUALITY SYMBOLS	GENERAL TOLERANCES (UNLESS SPECIFIED)	DIMENSION STYLE	SCALE	DESIGN UNITS	THIRD ANGLE PROJECTION																		
	$\nabla=0$ $\nabla=0$	<table border="1"> <tr> <th></th> <th>mm</th> <th>INCH</th> </tr> <tr> <td>4 PLACES</td> <td>± ---</td> <td>± ---</td> </tr> <tr> <td>3 PLACES</td> <td>± ---</td> <td>± ---</td> </tr> <tr> <td>2 PLACES</td> <td>± 0.20</td> <td>± ---</td> </tr> <tr> <td>1 PLACE</td> <td>± ---</td> <td>± ---</td> </tr> <tr> <td colspan="3">ANGULAR ± 3 °</td> </tr> </table>		mm	INCH	4 PLACES	± ---	± ---	3 PLACES	± ---	± ---	2 PLACES	± 0.20	± ---	1 PLACE	± ---	± ---	ANGULAR ± 3 °			MM ONLY	NTS	METRIC	
		mm	INCH																					
	4 PLACES	± ---	± ---																					
3 PLACES	± ---	± ---																						
2 PLACES	± 0.20	± ---																						
1 PLACE	± ---	± ---																						
ANGULAR ± 3 °																								
DESCRIPTION	DRAFT WHERE APPLICABLE MUST REMAIN WITHIN DIMENSIONS	DRAWN BY: DKOH DATE: 2003/03/20 CHECKED BY: KCLING DATE: 2003/03/28 APPROVED BY: SKTOH DATE: 2003/03/31	TITLE	SERIAL ATA BACKPLANE EXT. HT., RECEPT., T/H																				
REV			MATERIAL NO.	MOLEX INCORPORATED																				
			87678-1001	DOCUMENT NO.	SD-87678-023																			
			SIZE: A3	THIS DRAWING CONTAINS INFORMATION THAT IS PROPRIETARY TO MOLEX INCORPORATED AND SHOULD NOT BE USED WITHOUT WRITTEN PERMISSION																				
						SHEET NO. 3 OF 4																		

10 9 8 7 6 5 4 3 2 1

F
E
D
C
B
A

F
E
D
C
B
A



OBS. TIN/LEAD P/N EC NO. S2006-0984 DRAWING NO. 2006/04/04 CHKD BY CHIKOYUKI APPR. BY KCLING 2006/04/04	QUALITY SYMBOLS ▽=0 ▽=0	GENERAL TOLERANCES (UNLESS SPECIFIED)		DIMENSION STYLE MM ONLY		SCALE NTS	DESIGN UNITS METRIC	THIRD ANGLE PROJECTION	
		4 PLACES ± --- ± ---	3 PLACES ± --- ± ---	2 PLACES ± 0.20 ± ---	1 PLACE ± --- ± ---	ANGULAR ± 3 °	DRAWN BY DKOH	DATE 2003/03/20	TITLE SERIAL ATA BACKPLANE EXT. HT., RECEPT., T/H
REV C	DESCRIPTION	DRAFT WHERE APPLICABLE MUST REMAIN WITHIN DIMENSIONS		MATERIAL NO. 87678-1001	APPROVED BY SKTOH	DATE 2003/03/31	MOLEX INCORPORATED		
				SIZE A3	THIS DRAWING CONTAINS INFORMATION THAT IS PROPRIETARY TO MOLEX INCORPORATED AND SHOULD NOT BE USED WITHOUT WRITTEN PERMISSION			DOCUMENT NO. SD-87678-023	SHEET NO. 4 OF 4

fb_frame_A3_P_AM_T
Rev. D 2004/06/28

9 8 7 6 5 4 3 2 1