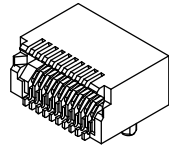
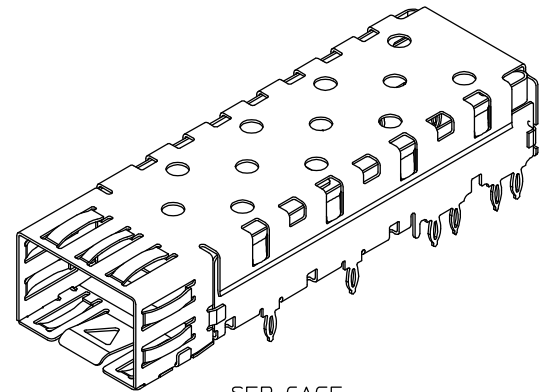


	13	12	11	10	9	8	7	6	5	4	3	2	1	
	PACKAGING KIT				SFP CONNECTOR				SFP CAGE ASSEMBLY					
J	MATERIAL NO.	QUANTITY OF COMPLIANT TAILS ON CAGE	QUANTITY OF EMI TAILS ON CAGE	OTHER ATTRIBUTES	STANDARD PACK QUANTITY (SPQ)	PART NO.	SALES DRAWING	PARTS PER CARTON	CARTONS PER KIT	KITTED PART NO.	PARTS PER CARTON	CARTONS PER KIT	STANDARD PART NO.	SALES DRAWING
	75082-1000	15	3	N/A	960	74441-0001	SD-74441-001	960	1	73927-9999	96	10	73927-0009	SD-73927-009
	75082-2000	15	3	KAPTON BARRIER	960	74441-0001	SD-74441-001	960	1	73927-9998	96	10	73927-0014	SD-73927-014
	75082-3000	8	N/A	N/A	960	74441-0001	SD-74441-001	960	1	73927-9997	96	10	73927-0001	SD-73927-001
	75082-4000	1.25 mm LONG SOLDER POST VERSION		N/A	960	74441-0001	SD-74441-001	960	1	73927-9996	96	10	73927-0002	SD-73927-002
	75082-5000	PCI SOLDER POST VERSION		N/A	960	74441-0001	SD-74441-001	960	1	73927-9995	96	10	73927-0004	SD-73927-004
I	75082-6000	11	3	N/A	960	74441-0001	SD-74441-001	960	1	73927-9994	96	10	73927-0008	SD-73927-008
	75082-7000	3.36 mm LONG SOLDER POST VERSION		N/A	960	74441-0001	SD-74441-001	960	1	73927-9993	96	10	73927-0010	SD-73927-010



SFP CONNECTOR 74441-0001



SFP CAGE
SHOWN: 73927-0009

NOTES:

- MATERIAL:
 - HOUSING - HIGH TEMPERATURE LIQUID CRYSTAL POLYMER (LCP) GLASS FILLED, UL 94V-0, COLOR: BLACK
 - TERMINALS - COPPER ALLOY
 - CAGE - COPPER ALLOY
- PLATING
 - TERMINALS
 - CONTACT AREA - 0.38 MICROMETERS MINIMUM GOLD OVER NICKEL
 - SOLDER FOOT AREA - 2.54 MICROMETERS MINIMUM TIN OVER NICKEL
 - CAGE - TIN PLATED
- PACKAGING SPECIFICATION: PS-75082-400.
- FOR ADDITIONAL INFORMATION ON THE CONNECTOR, CAGE AND PC BOARD LAYOUT, PLEASE SEE SALES DRAWINGS FOR EACH AS NOTED IN THE TABLE.

INITIAL RELEASE EC NO. UCP2008-1133 DRW:HSIBARRA 2007/12/07 CHKD:BBARKER 2007/12/07 APPR:SMILLER 2007/12/07 A	QUALITY SYMBOLS ▽=0 ▽=0	GENERAL TOLERANCES (UNLESS SPECIFIED)		DIMENSION STYLE		SCALE	DESIGN UNITS	THIRD ANGLE PROJECTION	
				MM ONLY		4:1	METRIC		
				DRAWN BY		DATE	TITLE		
				M1BARRA		2007/11/16	SFP CONNECTOR AND CAGE ASSEMBLY KIT		
		3 PLACES ±---		CHECKED BY		DATE			
		2 PLACES ±0.13		BBARKER		2007/11/16			
		1 PLACE ±---		APPROVED BY		DATE			
		ANGULAR ±1/2°		SMILLER		2007/11/16			
		DRAFT WHERE APPLICABLE MUST REMAIN WITHIN DIMENSIONS		SEE TABLE		MATERIAL NO.		DOCUMENT NO.	
				SIZE		SD-75082-400		SHEET NO.	
				C		THIS DRAWING CONTAINS INFORMATION THAT IS PROPRIETARY TO MOLEX INCORPORATED AND SHOULD NOT BE USED WITHOUT WRITTEN PERMISSION		1 OF 1	