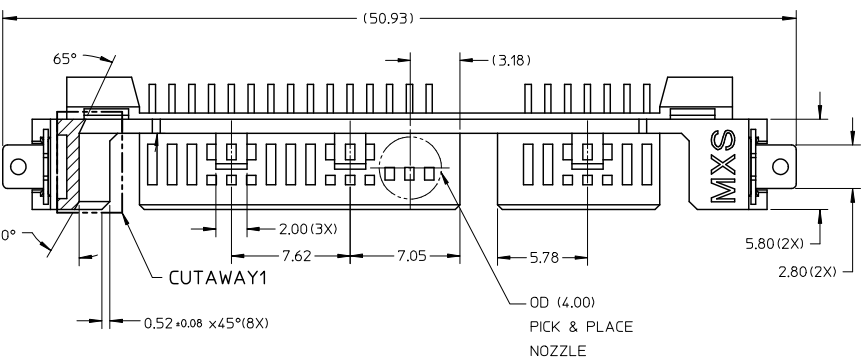
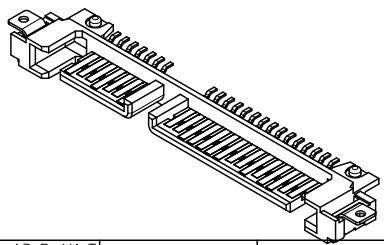
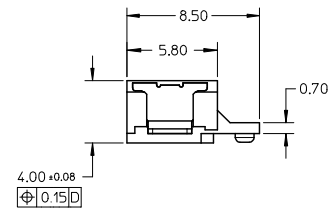
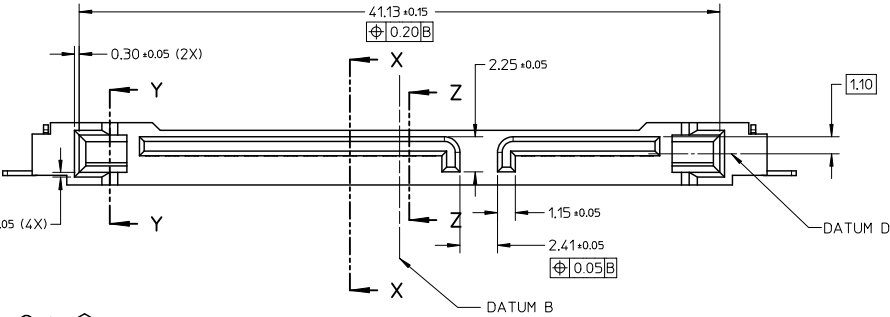


10	9	8	7	6	5	4	3	2	1
								PART NUMBER	PACKAGING
								87703-0001	TRAY
								87703-0067	TAPE & REEL



- NOTES:
- MATERIAL:
 - HOUSING: LIQUID CRYSTALLINE POLYMER (LCP), GLASS FILLED UL 94V-0, COLOR: BLACK
 - CONTACTS & SMT NAILS: COPPER ALLOY
 - PLATING FINISH ON CONTACTS AND SOLDERTAILS:
 - 0.127µm MIN. GOLD FLASH OVER 1.27µm MIN. NICKEL UNDERPLATE
 - PLATING FINISH ON SMT NAILS:
 - 3.18µm MIN. TIN OVER 1.27µm MIN. NICKEL UNDERPLATE
 - PRODUCT SPECIFICATION: PS-87703-017 APPLIES
 - PRODUCT CONFORMS TO SERIAL ATA SPECIFICATION.
 - PACKAGING: SEE TABLE
 - PRODUCT IS COMPLIANT TO RoHS DIRECTIVE WITH THE FOLLOWING BANNED SUBSTANCES - LEAD, MERCURY, CADMIUM, HEXAVALENT CHROMIUM, POLYBROMINATED BIPHENYLS AND POLYBROMINATED DIPHENYL ETHERS.
 - MATES WITH: SATA RECEPTACLE SERIES: 87678, 87701, 87713, 87779, 87780, 87781
SFF-8482 RECEPTACLE SERIES: 87824, 87839, 87863, 87970



UPDATE NOTE 6 IEC NO: S2009-0846 DRW:KHL/IM CHK:CGH APPR:BOBOK 2009/05/20 2009/05/20 2009/05/20	DESCRIPTION SERIAL ATA PLUG	QUALITY SYMBOLS	GENERAL TOLERANCES (UNLESS SPECIFIED) mm INCH 4 PLACES ± --- ± --- 3 PLACES ± --- ± --- 2 PLACES ± 0.20 ± --- 1 PLACE ± --- ± --- ANGULAR ± 3°	DIMENSION STYLE	SCALE	DESIGN UNITS	THIRD ANGLE PROJECTION
		MM ONLY		NTS	METRIC		
		DRAWN BY		DATE	TITLE		
		RSHAN		2002/11/18	SERIAL ATA PLUG		
CHECKED BY	DATE						
KCLING	2002/12/18	2.5 INCH HDD					
APPROVED BY	DATE						
SKTOH	2002/12/18						
MATERIAL NO.	DOCUMENT NO.						
SEE TABLE	SD-87703-002						
SIZE							
A3							
DRAFT WHERE APPLICABLE MUST REMAIN WITHIN DIMENSIONS				THIS DRAWING CONTAINS INFORMATION THAT IS PROPRIETARY TO MOLEX INCORPORATED AND SHOULD NOT BE USED WITHOUT WRITTEN PERMISSION			

10 9 8 7 6 5 4 3 2 1

F F

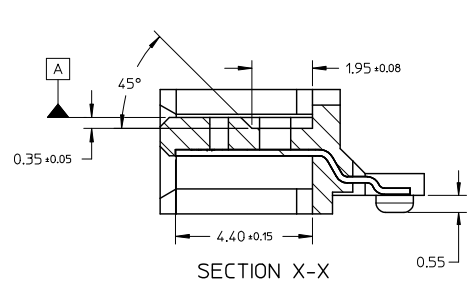
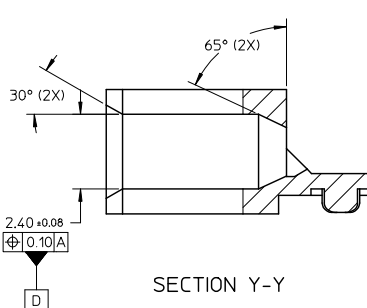
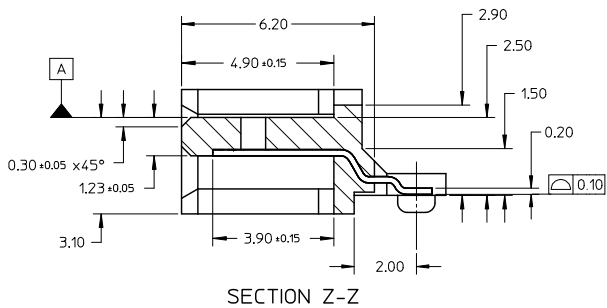
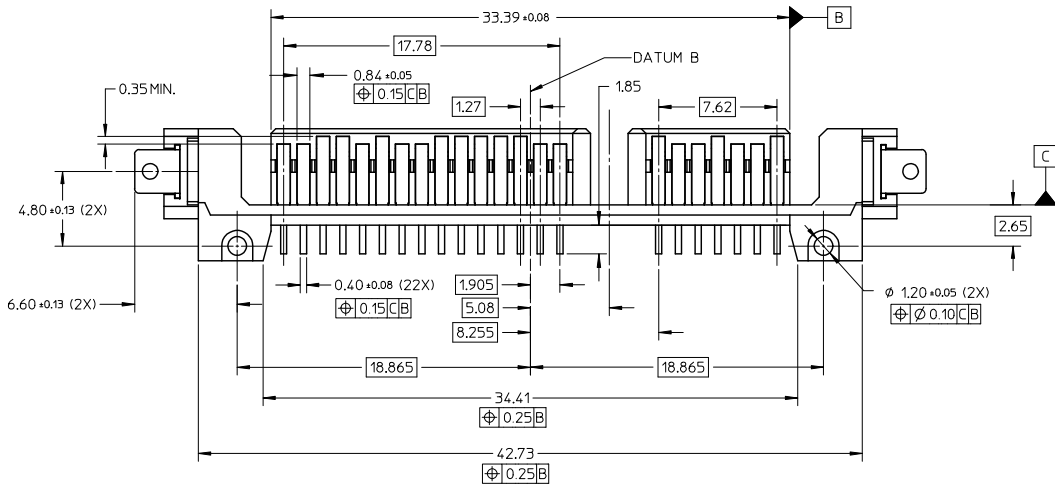
E E

D D

C C

B B

A A

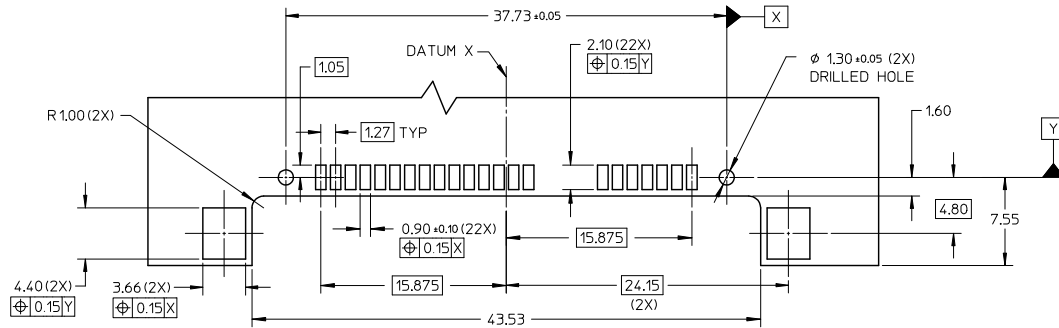


SECTION Z-Z

SECTION Y-Y

SECTION X-X

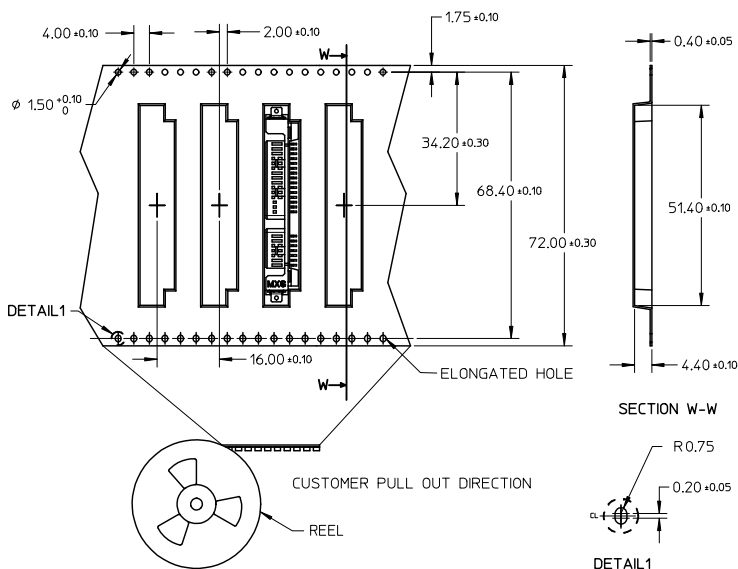
UPDATE NOTE 6 IEC NO: S22009-0846 2009/05/20 DRW:KHLIM 2009/05/20 CHK:CGOH 2009/05/20 APPR:BOBOK	QUALITY SYMBOLS	GENERAL TOLERANCES (UNLESS SPECIFIED)	DIMENSION STYLE	SCALE	DESIGN UNITS	THIRD ANGLE PROJECTION	
	$\nabla=0$ $\nabla=0$	mm INCH 4 PLACES ± --- ± --- 3 PLACES ± --- ± --- 2 PLACES ± 0.20 ± --- 1 PLACE ± --- ± --- ANGULAR ± 3 °	MM ONLY	NTS	METRIC		
	DESCRIPTION	DRAFT WHERE APPLICABLE MUST REMAIN WITHIN DIMENSIONS	DRAWN BY RSHAN DATE 2002/11/18 CHECKED BY KCL ING DATE 2002/12/18 APPROVED BY SKTOH DATE 2002/12/18	TITLE	SERIAL ATA PLUG 2.5 INCH HDD		
	REV		SEE TABLE	MATERIAL NO.	DOCUMENT NO.	MOLEX INCORPORATED	
			SIZE A 3	THIS DRAWING CONTAINS INFORMATION THAT IS PROPRIETARY TO MOLEX INCORPORATED AND SHOULD NOT BE USED WITHOUT WRITTEN PERMISSION			SHEET NO. 2 OF 4



RECOMMENDED PCB LAYOUT
PCB THICKNESS : 0.50±0.08

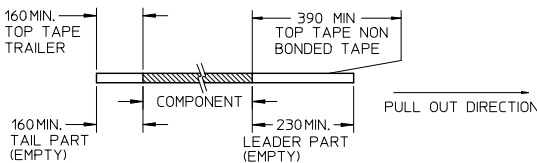
UPDATE NOTE 6 IEC NO: S2009-0846 2009/05/20 DRAWN: KHLIM 2009/05/20 CHECKED: CGOH 2009/05/20 APPR: BOKOK 2009/05/20	DESCRIPTION REV	QUALITY SYMBOLS	GENERAL TOLERANCES (UNLESS SPECIFIED) mm INCH 4 PLACES ± --- ± --- 3 PLACES ± --- ± --- 2 PLACES ± 0.20 ± --- 1 PLACE ± --- ± --- ANGULAR ± 3°	DIMENSION STYLE	SCALE	DESIGN UNITS	THIRD ANGLE PROJECTION
		MM ONLY		NTS	METRIC		
		DRAWN BY		DATE	TITLE		
		RSHAN		2002/11/18	SERIAL ATA PLUG 2.5 INCH HDD		
CHECKED BY	DATE	APPROVED BY		MATERIAL NO.		DOCUMENT NO.	SHEET NO.
KCLING	2002/12/18	SKTOH		SEE TABLE		SD-87703-002	3 OF 4
DRAFT WHERE APPLICABLE MUST REMAIN WITHIN DIMENSIONS				THIS DRAWING CONTAINS INFORMATION THAT IS PROPRIETARY TO MOLEX INCORPORATED AND SHOULD NOT BE USED WITHOUT WRITTEN PERMISSION			

TAPE & REEL PACKAGING

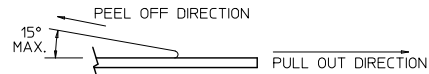


NOTES:

1. LEADER AND TRAILER TAPE

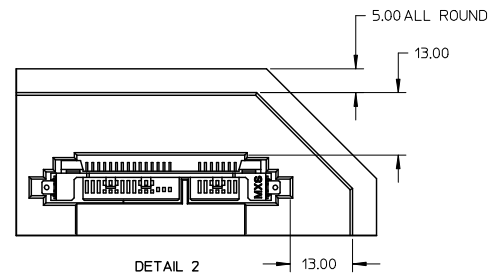
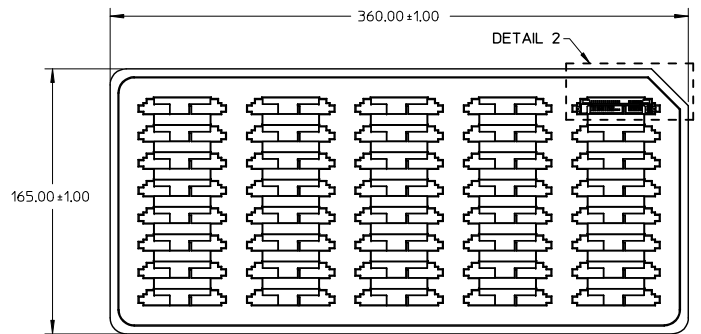


2. PEELING OFF FORCE OF THE TOP TAPE: 20 - 60gf. (PEELING DIRECTION AS SHOWN IN FOLLOWING FIGURE)



- 3. TAPE AND REEL SPECIFICATION IS AS PER EIA-481.
- 4. TAPE AND REEL QUANTITY : 850 PCS/ REEL.
- 5. THE TAPE IS TREATED FOR ANTI-STATIC.

TRAY PACKAGING



UPDATE NOTE 6
 EIC NO: S22009-0846
 2009/05/20
 DR:WINKHLM
 2009/05/20
 CHK:CGOH
 2009/05/20
 APPR:BOJOK

QUALITY SYMBOLS	DESCRIPTION
▽=0	
▽=0	

GENERAL TOLERANCES (UNLESS SPECIFIED)	
PLACES	TOLERANCE
4 PLACES	± 0.10
3 PLACES	± 0.15
2 PLACES	± 0.20
1 PLACE	± 0.30
ANGULAR ± 3°	

DRAFT WHERE APPLICABLE MUST REMAIN WITHIN DIMENSIONS

DIMENSION STYLE	
MM ONLY	
DRAWN BY	DATE
RSHAN	2002/11/18
CHECKED BY	DATE
KCLING	2002/12/18
APPROVED BY	DATE
SKTOH	2002/12/18
MATERIAL NO.	
SEE TABLE	

SCALE	DESIGN UNITS	THIRD ANGLE PROJECTION
NTS	METRIC	THIRD ANGLE PROJECTION
TITLE		
SERIAL ATA PLUG 2.5 INCH HDD		
MOLEX INCORPORATED		
DOCUMENT NO.	SHEET NO.	
SD-87703-002	4 OF 4	