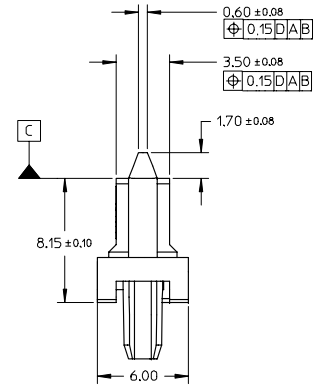
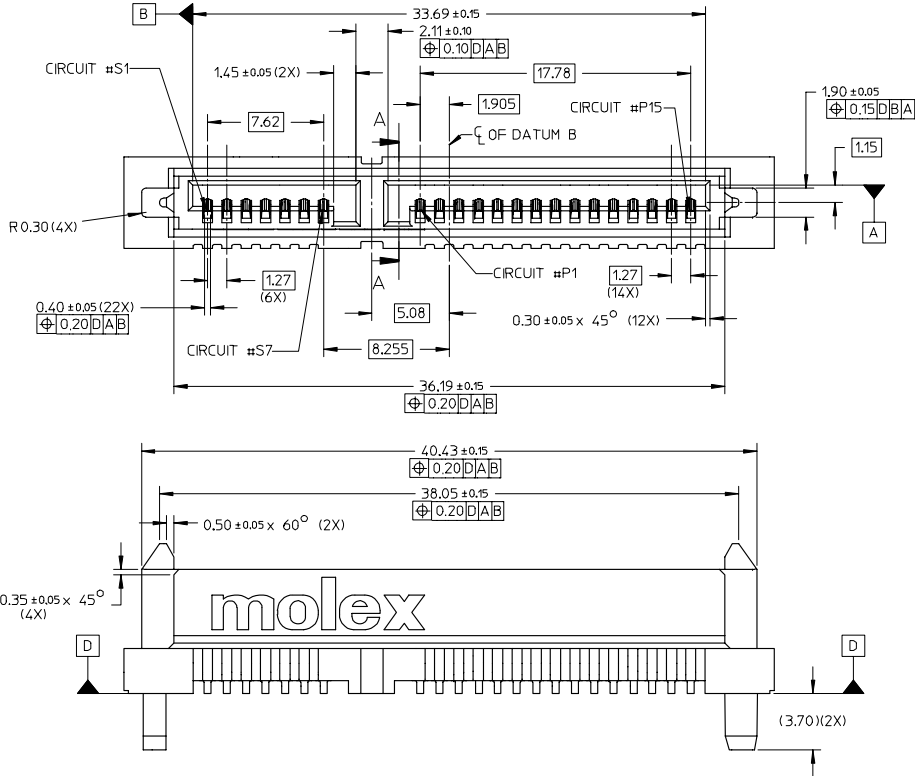


10 9 8 7 6 5 4 3 2 1

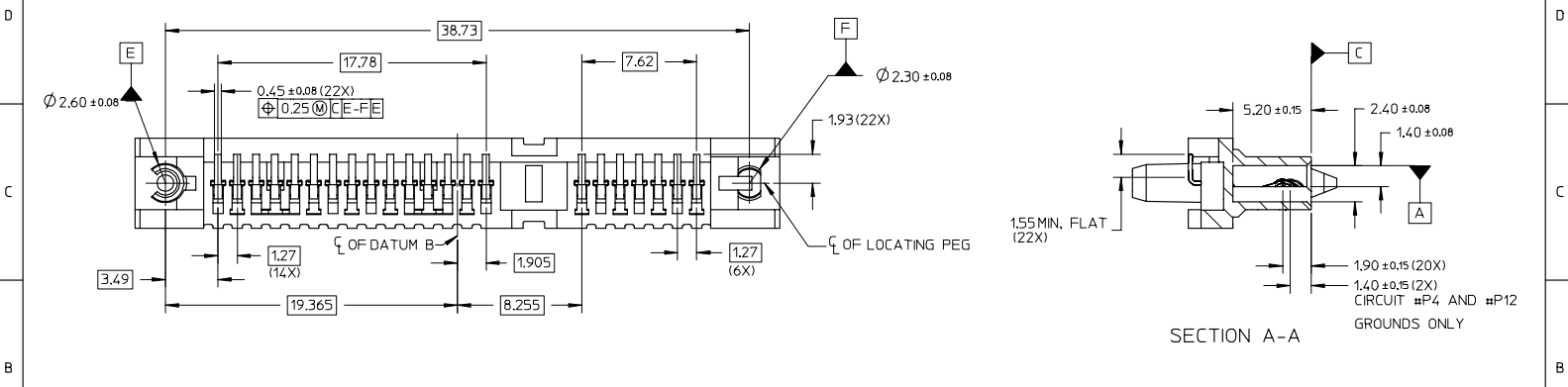
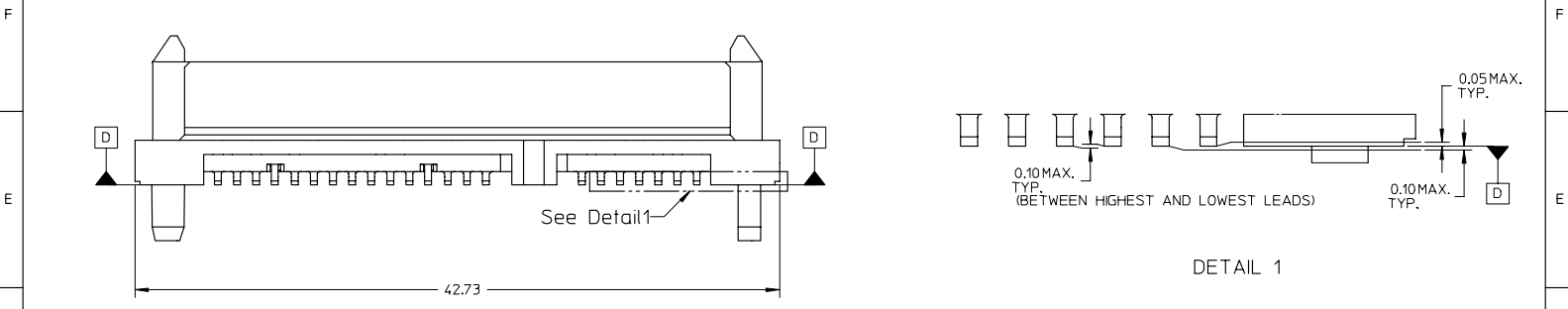


- NOTES:
- MATERIAL: LCP, GLASS FILLED, UL 94V-0, COLOR: BLACK
TERMINAL: COPPER ALLOY
 - PLATING:
CONTACT: 0.76µm MIN. SELECTIVE GOLD OVER 1.27µm MIN. NICKEL UNDERPLATE
SOLDERTAIL: 2.54µm MIN. TIN OVER 1.27µm MIN. NICKEL UNDERPLATE
 - MOLEX LOGO LOCATED APPROXIMATELY AS SHOWN
 - MAXIMUM WARPAGE OF 0.13 mm OVER THE LENGTH OF THE CONNECTOR IN ANY DIRECTION BEFORE AND AFTER EXPOSURE TO MAX. 260°C FOR 10 SECONDS
 - PRODUCT SPECIFICATION: PS-87713-016 APPLIES
 - PACKAGING
30 CONNECTORS PER TRAY

OBS: TIN/LEAD P/N EC NO. S2006-0984 DRAWING NO. 2006/04/04 CHECKED BY: CHIKO/CLGAN APPR: 2006/04/04	DESCRIPTION	QUALITY SYMBOLS	GENERAL TOLERANCES (UNLESS SPECIFIED)		DIMENSION STYLE		SCALE	DESIGN UNITS	THIRD ANGLE PROJECTION	
		▽=0	mm	INCH	MM ONLY		NTS	METRIC		
		▽=0	4 PLACES ± ---	± ---	DRAWN BY	DATE	TITLE			
			3 PLACES ± 0.20	± ---	DKOH	2002/07/05	SERIAL ATA BACKPLANE STD HEIGHT, RECEPT., SMT			
		2 PLACES ± ---	± ---	CHECKED BY	DATE	MOLEX INCORPORATED				
		1 PLACE ± ---	± ---	XCLING	2002/07/05					
		ANGULAR ± 3°		APPROVED BY	DATE	MATERIAL NO.		DOCUMENT NO.	SHEET NO.	
		DRAFT WHERE APPLICABLE MUST REMAIN WITHIN DIMENSIONS		SKTOH	2002/07/05	87713-1001		SD-87713-001	1 OF 4	
				SIZE	THIS DRAWING CONTAINS INFORMATION THAT IS PROPRIETARY TO MOLEX INCORPORATED AND SHOULD NOT BE USED WITHOUT WRITTEN PERMISSION					
				A3						

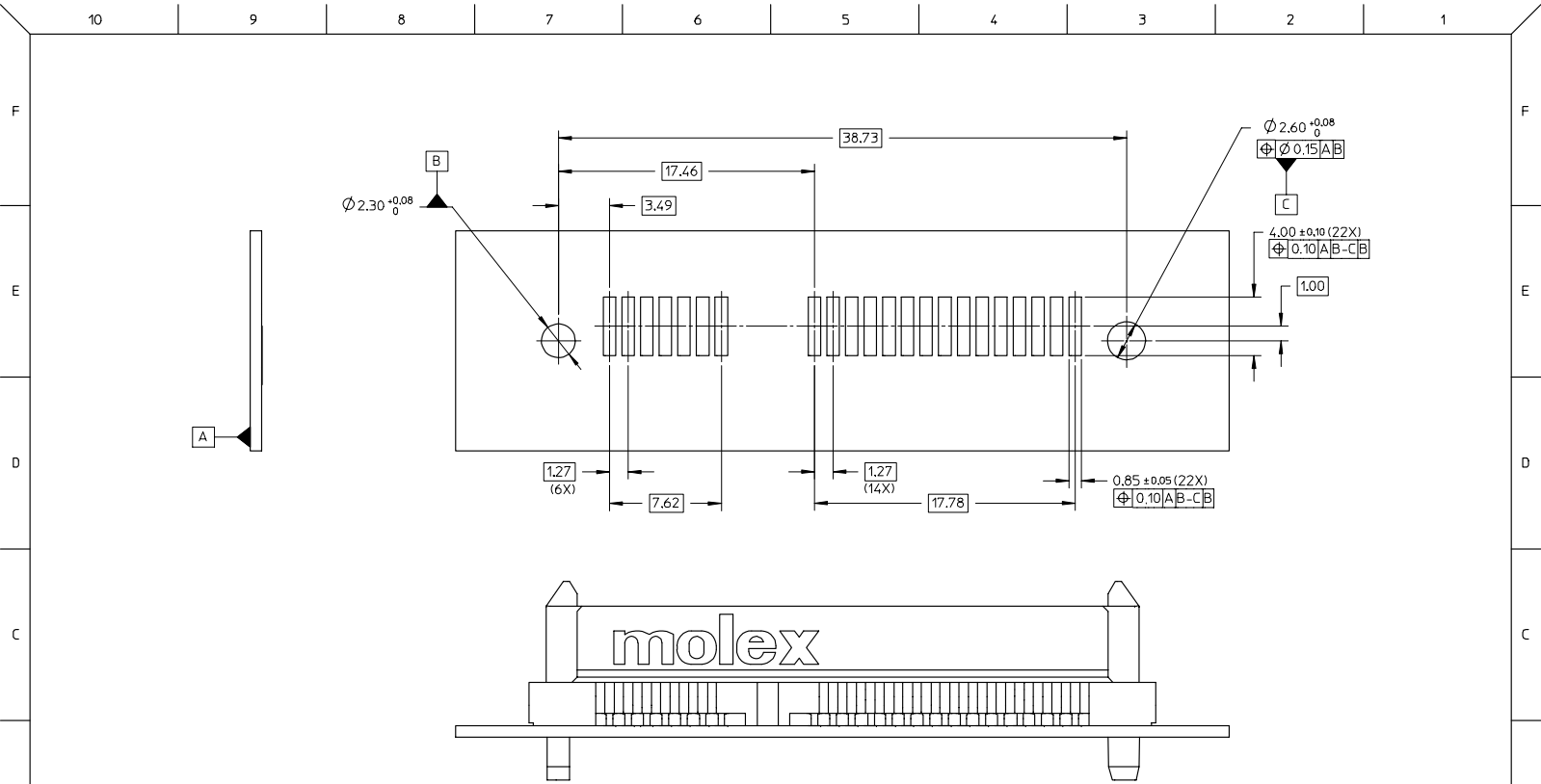
9 8 7 6 5 4 3 2 1

10 9 8 7 6 5 4 3 2 1



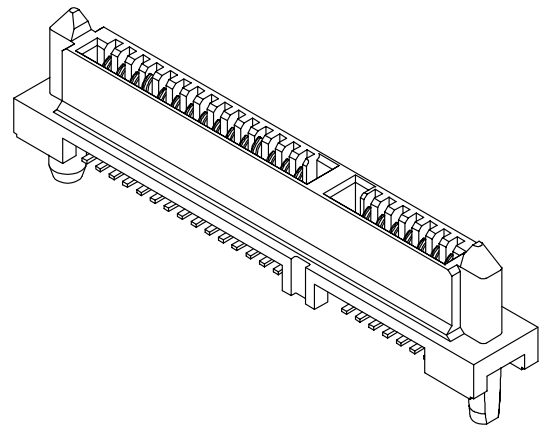
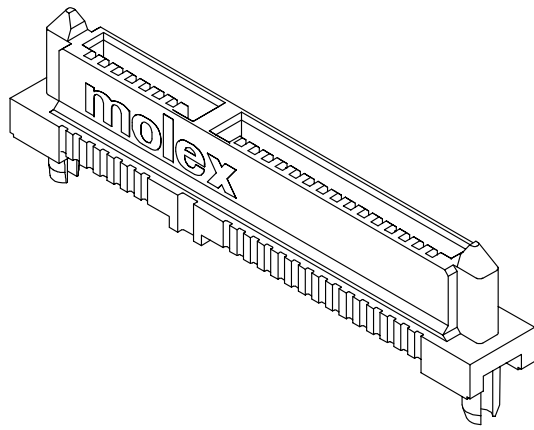
OBS. TIN/LEAD P/N EC. NO. S2006-0984 DRAWING NO. 2006/04/04 CHKD. LGTAN APPR. KCLING 2006/04/04	QUALITY SYMBOLS ▽=0 ▽=0	GENERAL TOLERANCES (UNLESS SPECIFIED)		DIMENSION STYLE MM ONLY		SCALE NTS	DESIGN UNITS METRIC	THIRD ANGLE PROJECTION		
		4 PLACES ± --- ± ---	3 PLACES ± --- ± ---	2 PLACES ± 0.20 ± ---	1 PLACE ± --- ± ---	ANGULAR ± 3 °	DRAWN BY DKOH	DATE 2002/07/05	TITLE SERIAL ATA BACKPLANE STD HEIGHT, RECEPT., SMT	
		DRAFT WHERE APPLICABLE MUST REMAIN WITHIN DIMENSIONS		MATERIAL NO. 87713-1001	DOCUMENT NO. SD-87713-001	SHEET NO. 2 OF 4		MOLEX INCORPORATED		
		SIZE A3		THIS DRAWING CONTAINS INFORMATION THAT IS PROPRIETARY TO MOLEX INCORPORATED AND SHOULD NOT BE USED WITHOUT WRITTEN PERMISSION						

fb_frame_A3_P_AM.T Rev. D 2004/06/28 9 8 7 6 5 4 3 2 1



PCB THICKNESS: TBA mm
RECOMMENDED PCB LAYOUT

OBS: TIN/LEAD P/N EC NO. S2006-0984 DRAWING NO. 2006/04/04 CHKD: Y. L. CHAN APPR: K. L. NG 2006/04/04	QUALITY SYMBOLS ▽=0 ▽=0	GENERAL TOLERANCES (UNLESS SPECIFIED)		DIMENSION STYLE MM ONLY		SCALE NTS	DESIGN UNITS METRIC	THIRD ANGLE PROJECTION	
		4 PLACES ± --- ± ---	mm	INCH	DRAWN BY DKOH	DATE 2002/07/05	TITLE SERIAL ATA BACKPLANE STD HEIGHT, RECEPT., SMT		
		3 PLACES ± --- ± ---			CHECKED BY KCLING	DATE 2002/07/05	MOLEX INCORPORATED		
		2 PLACES ± 0.20 ± ---			APPROVED BY SKTOH	DATE 2002/07/05	MATERIAL NO. 87713-1001	DOCUMENT NO. SD-87713-001	SHEET NO. 3 OF 4
1 PLACE ± --- ± ---	ANGULAR ± 3 °		DRAFT WHERE APPLICABLE MUST REMAIN WITHIN DIMENSIONS		THIS DRAWING CONTAINS INFORMATION THAT IS PROPRIETARY TO MOLEX INCORPORATED AND SHOULD NOT BE USED WITHOUT WRITTEN PERMISSION				



OBS. TIN/LEAD P/N EC NO. S2006-0984 DRAWING NO. 2006/04/04 CHKD BY CHIKOYUKI APPR. BY KCLING 2006/04/04	QUALITY SYMBOLS ▽=0 ▽=0	GENERAL TOLERANCES (UNLESS SPECIFIED)		DIMENSION STYLE MM ONLY		SCALE NTS	DESIGN UNITS METRIC	THIRD ANGLE PROJECTION	
			mm	INCH	DRAWN BY DKOH	DATE 2002/07/05	TITLE SERIAL ATA BACKPLANE STD HEIGHT, RECEPT., SMT		
		4 PLACES ± ---	± ---	± ---	CHECKED BY KCLING	DATE 2002/07/05	MOLEX MOLEX INCORPORATED		
		3 PLACES ± ---	± ---	± ---	APPROVED BY SKTOH	DATE 2002/07/05	MATERIAL NO. 87713-1001	DOCUMENT NO. SD-87713-001	SHEET NO. 4 OF 4
		2 PLACES ± 0.20	± ---	± ---	DRAFT WHERE APPLICABLE MUST REMAIN WITHIN DIMENSIONS			THIS DRAWING CONTAINS INFORMATION THAT IS PROPRIETARY TO MOLEX INCORPORATED AND SHOULD NOT BE USED WITHOUT WRITTEN PERMISSION	
		1 PLACE ± ---	± ---	± ---	ANGULAR ± 3 °				