

A B C D E F

REVISIONS			
SYM	ZONE	ECN, ERN NO.	DATE APPRD.
E		UPDATED	2006/02/07
F		UPDATED	JAN29/08
G		UPDATED	AUG03/09

THIS IS A CAD DRAWING. DO NOT MANUALLY REVISE.

MATERIAL (RoHS COMPLIANCE):
 CAGE:
 COPPER ALLOY

PLATING OPTION 1:
 100µ" [2.54 µm] MIN. TIN
 PLATING OVER 50 µ" (1.27 µm)
 MIN. NICKEL UNDER PLATING.

PLATING OPTION 2:
 100µ" [2.54 µm] MIN. NICKEL
 PLATING (NOT FOR SOLDER PINS).

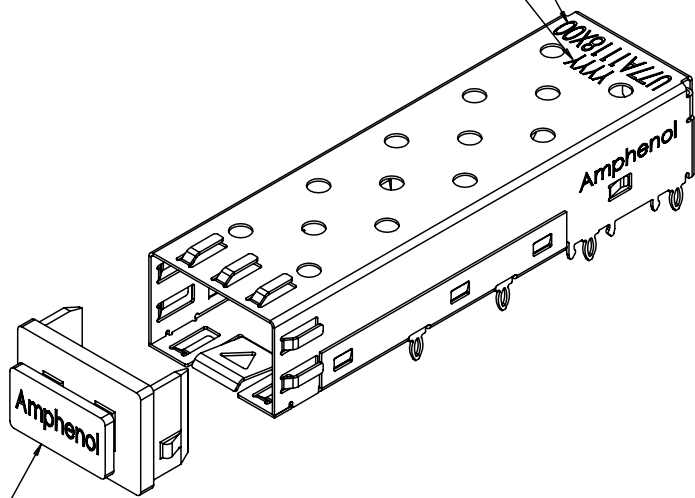
DUST COVER
 THERMOPLASTIC, COLOR BLACK.

PACKAGING:
 TAPE AND REEL OR TRAY PACKAGING.

TEMPERATURE RANGE:
 -40°C TO +85°C

PART NUMBER
 (P/N DOES NOT
 INCLUDING PACKAGING TYPE
 AND DUST COVER OPTION)

DATE CODE



OPTIONAL DUST COVER
 (SHIP LOOSE)
 P/N U77-A1110-8000-P

AMPHENOL PART NUMBER CONFIGURATION

U77 - A 1 1 1 8 - X X 0 X

- PACKAGING
 - 1 = TRAY PACKAGING
 - T = TAPE & REEL PACKAGING
- OPTIONAL DUST COVER
 - 0 = NO DUST COVER
 - D = WITH DUST COVER (SHIP LOOSE)
- PLATING
 - 1 = TIN PLATING
 - 2 = NICKEL PLATING

DRAWN	J.SI	DATE	2006/03/08
DESIGNED	J.SI	DATE	2006/03/08
CHECKED	X		X
DWG. APPRD.			
ENG. REL. NO.			
REF.	X		
DIMENSIONS ARE IN	CODE ID. NO.		
INCHES (mm)	03554		

Amphenol Canada Corp.

TITLE
 SFP SINGLE CAGE
 WITH 8 PRESS FIT / 12 EMI PINS

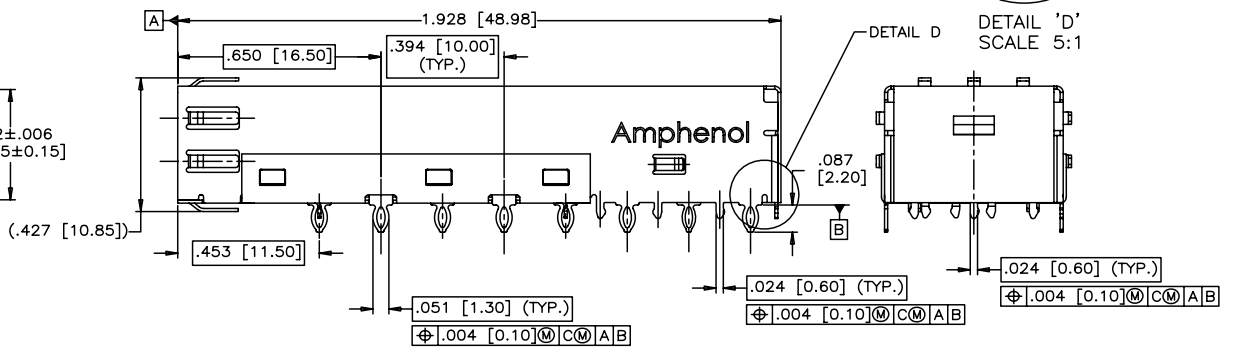
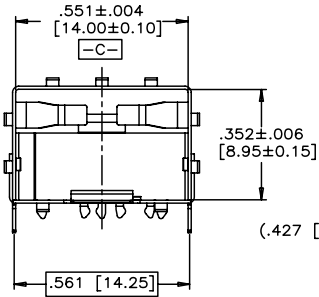
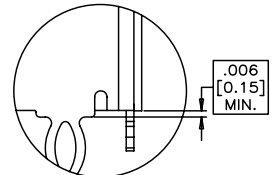
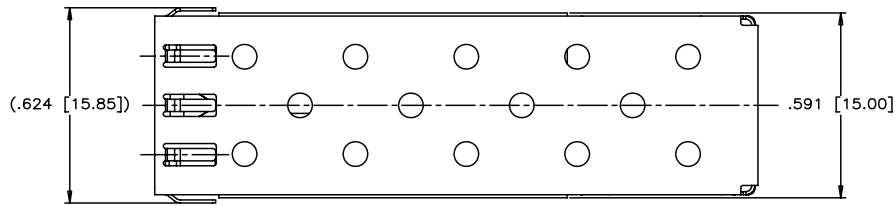
THIS DOCUMENT CONTAINS PROPRIETARY INFORMATION AND SUCH INFORMATION
 MAY NOT BE DISCLOSED TO OTHERS FOR ANY PURPOSE OR USED FOR MANUFACTURING
 PURPOSES WITHOUT WRITTEN PERMISSION FROM AMPHENOL CANADA CORP.

DWG	A	DRAWING NO.	P-U77-A1118-XX0X	REV.	G
SCALE	2:1	WT.	-----	SURF.	-----
			SHEET	1	OF 5

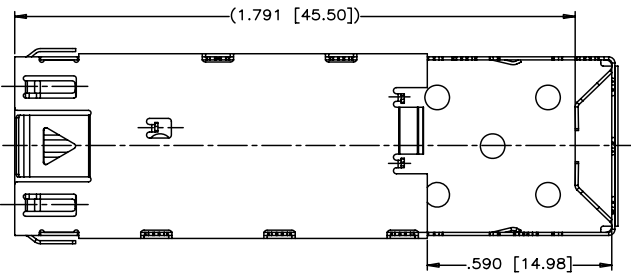
A B C D E F

REVISIONS			
SYM	ZONE	ECN, ERN NO.	DATE
E		UPDATED	2006/02/07
F		UPDATED	JAN29/08
G		UPDATED	AUG03/09

THIS IS A CAD DRAWING. DO NOT MANUALLY REVISE.



DETAIL 'D' SCALE 5:1



DRAWN	J. SJ	DATE	2006/03/08
DESIGNED	J. SJ	DATE	2006/03/08
CHECKED	X		
DWG. APPRD.			
ENG. REL. NO.			
REF.	X		
DIMENSIONS ARE IN	INCHES	CODE ID. NO.	03554

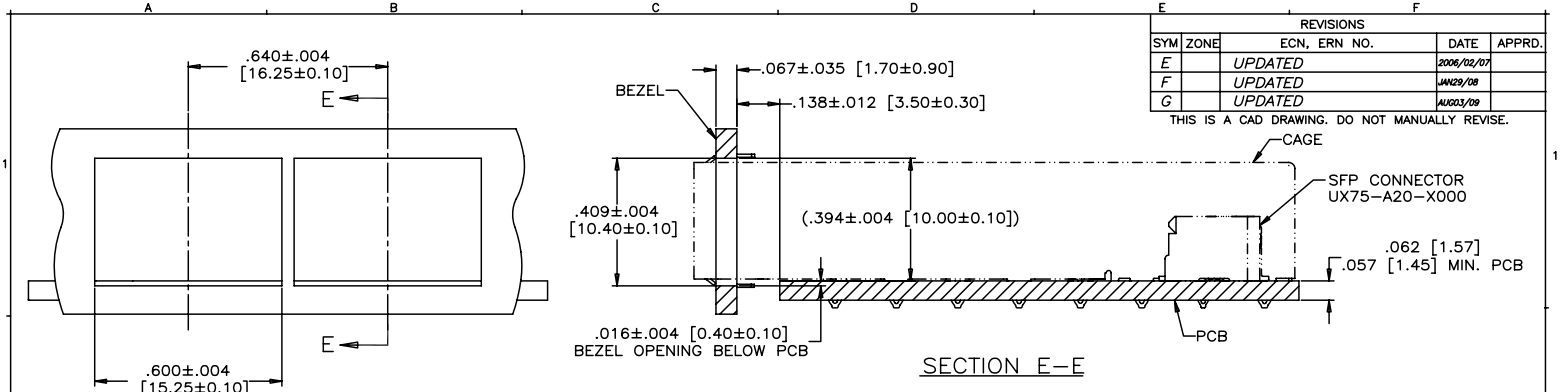
Amphenol Canada Corp.

TITLE
SFP SINGLE CAGE
WITH 8 PRESS FIT / 12 EMI PINS

DWG	DRAWING NO.	REV.
A	P-U77-A1118-XX0X	G
SCALE	2:1	WT. _____ SURF. _____ SHEET 2 OF 5

THIS DOCUMENT CONTAINS PROPRIETARY INFORMATION AND SUCH INFORMATION MAY NOT BE DISCLOSED TO OTHERS FOR ANY PURPOSE OR USED FOR MANUFACTURING PURPOSES WITHOUT WRITTEN PERMISSION FROM AMPHENOL CANADA CORP.

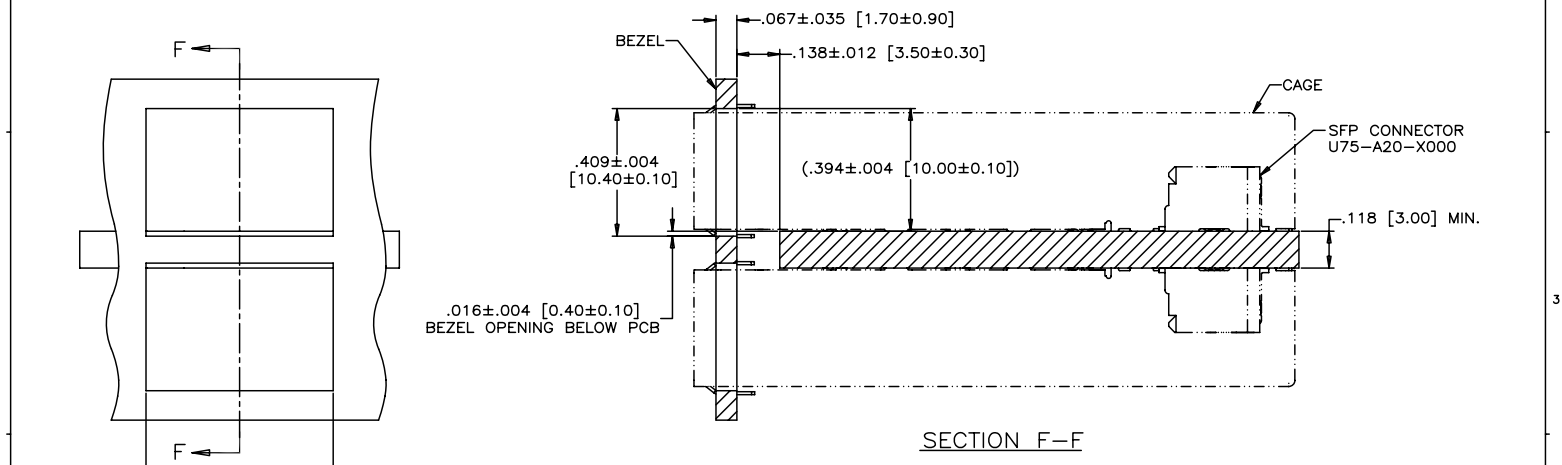
A B C D E F



REVISIONS				
SYM	ZONE	ECN, ERN NO.	DATE	APPRD.
E		UPDATED	2006/02/07	
F		UPDATED	JAN29/08	
G		UPDATED	AUG03/08	

THIS IS A CAD DRAWING. DO NOT MANUALLY REVISE.

RECOMMENDED BEZEL DESIGN
(ONE SIDE CAGE MOUNTING)



RECOMMENDED BEZEL DESIGN
(BELLY TO BELLY CAGE MOUNTING)

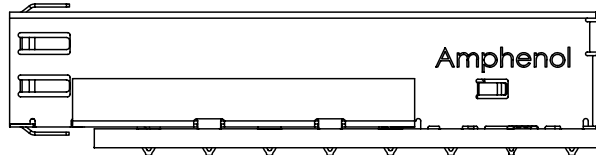
DRAWN	J.SI	DATE	2005/03/08	Amphenol Canada Corp.
DESIGNED	J.SI	DATE	2006/03/08	
CHECKED	X		X	TITLE
DWG. APPRD.				SFP SINGLE CAGE WITH 8 PRESS FIT / 12 EMI PINS
ENG. REL. NO.				DWG. DRAWING NO.
REF.	X			A P-U77-A1118-XX0X G
DIMENSIONS ARE IN		CODE ID. NO.	03554	SCALE
INCHES [mm]				2:1
				WT. _____ SURF. _____ SHEET 3 OF 5

THIS DOCUMENT CONTAINS PROPRIETARY INFORMATION AND SUCH INFORMATION MAY NOT BE DISCLOSED TO OTHERS FOR ANY PURPOSE OR USED FOR MANUFACTURING PURPOSES WITHOUT WRITTEN PERMISSION FROM AMPHENOL CANADA CORP.

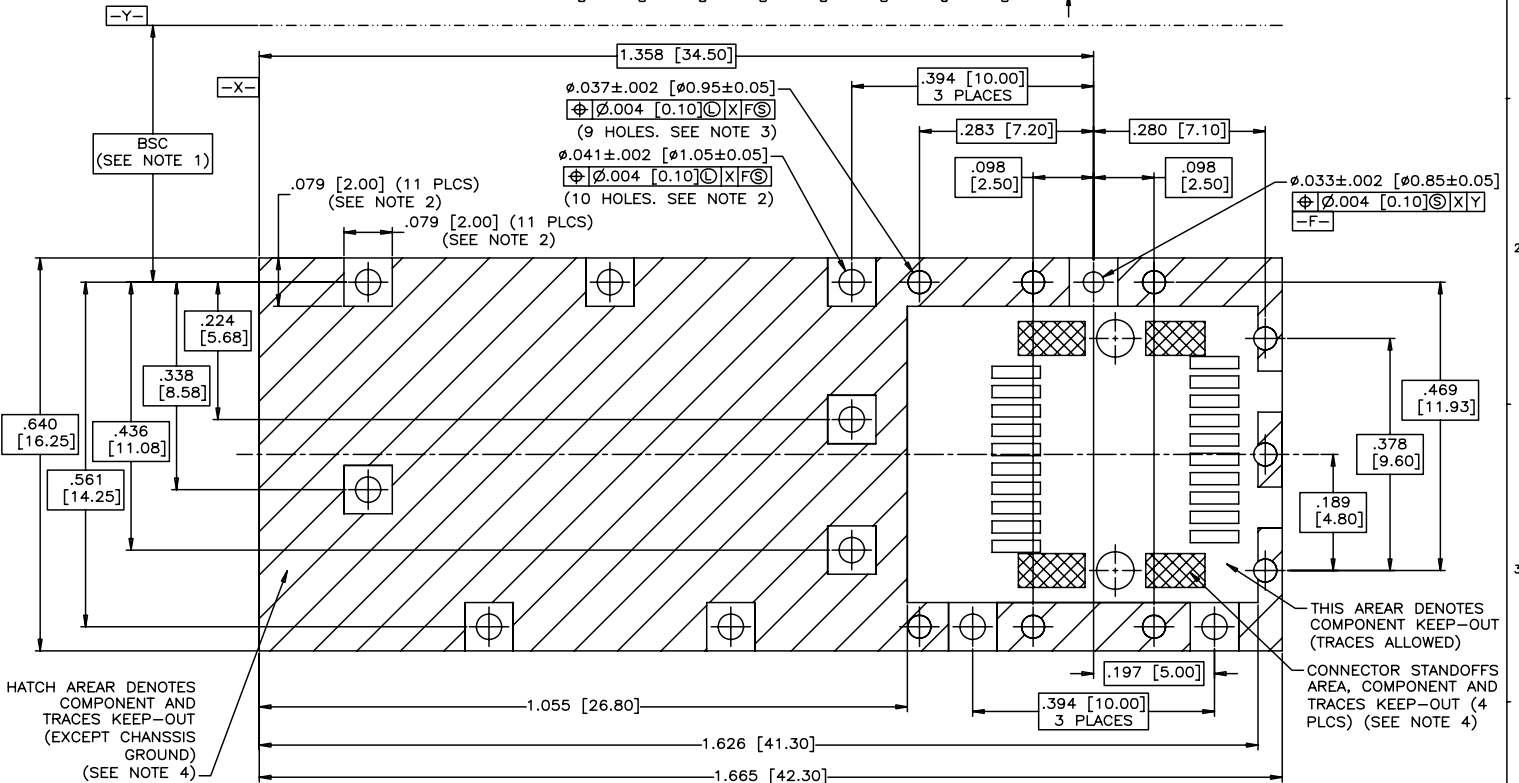
- NOTES:
1. DATUM AND BASIC DIMENSIONS ESTABLISHED BY CUSTOMER
 2. PADS AND VIAS ARE CHASSIS GROUND, 11 PLACES.
 3. THRU HOLES, PLATING OPTIONAL.
 4. SEE DRAWINGS P-U75-A20-XX00X FOR CONNECTOR PCB LAYOUT.

REVISIONS				
SYM	ZONE	ECN, ERN NO.	DATE	APPRD.
E		UPDATED	2006/02/07	
F		UPDATED	JAN29/08	
G		UPDATED	AUG03/09	

THIS IS A CAD DRAWING. DO NOT MANUALLY REVISE.



.062 [1.57]
.057 [1.45] MIN. PCB



HATCH AREA DENOTES COMPONENT AND TRACES KEEP-OUT (EXCEPT CHASSIS GROUND) (SEE NOTE 4)

THIS AREA DENOTES COMPONENT KEEP-OUT (TRACES ALLOWED)
CONNECTOR STANDOFFS AREA, COMPONENT AND TRACES KEEP-OUT (4 PLCS) (SEE NOTE 4)

RECOMMENDED SFP HOST BOARD LAYOUT
(ONE SIDE CAGE MOUNTING)
(SCALE 4:1)

DRAWN	J.S/	DATE	2005/03/08
DESIGNED	J.S/	DATE	2005/03/08
CHECKED	X		X
DWG. APPRD.			
ENG. REL. NO.			
REF.	X		
DIMENSIONS ARE IN	INCHES	CODE ID. NO.	0.3554
	[mm]		

Amphenol Canada Corp.

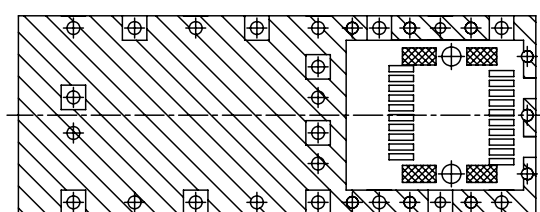
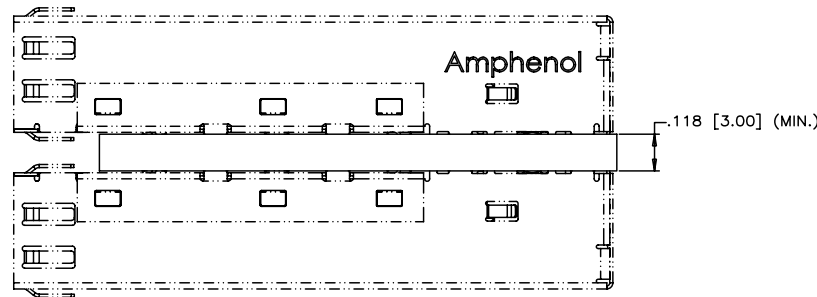
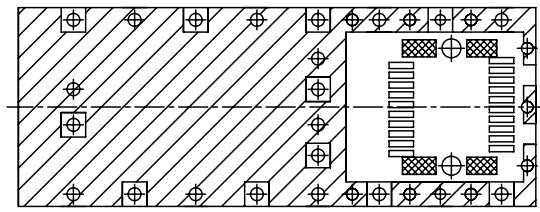
TITLE
SFP SINGLE CAGE
WITH 8 PRESS FIT / 12 EMI PINS

DWG.	A	DRAWING NO.	P-U77-A1118-XX0X	REV.	G
SCALE	2:1	WT.		SURF.	
					SHEET 4 OF 5

THIS DOCUMENT CONTAINS PROPRIETARY INFORMATION AND SUCH INFORMATION MAY NOT BE DISCLOSED TO OTHERS FOR ANY PURPOSE OR USED FOR MANUFACTURING PURPOSES WITHOUT WRITTEN PERMISSION FROM AMPHENOL CANADA CORP.

REVISIONS				
SYM	ZONE	ECN, ERN NO.	DATE	APPRD.
E		UPDATED	2006/02/07	
F		UPDATED	JAN29/08	
G		UPDATED	AUG03/08	

THIS IS A CAD DRAWING. DO NOT MANUALLY REVISE.



**RECOMMENDED SFP HOST BOARD LAYOUT
(BELLY TO BELLY CAGE MOUNTING)**

DRAWN	J.S/	DATE	2005/03/08	Amphenol Canada Corp.	
DESIGNED	J.S/	DATE	2005/03/08		
CHECKED	X		X	TITLE	
DWG. APPRD.				SFP SINGLE CAGE WITH 8 PRESS FIT / 12 EMI PINS	
ENG. REL. NO.				DWG	
REF.	X			DRAWING NO.	
DIMENSIONS ARE IN INCHES [mm]				03554	P-U77-A1118-XX0X
SCALE				2:1	WT. _____ SURF. _____ SHEET 5 of 5

THIS DOCUMENT CONTAINS PROPRIETARY INFORMATION AND SUCH INFORMATION MAY NOT BE DISCLOSED TO OTHERS FOR ANY PURPOSE OR USED FOR MANUFACTURING PURPOSES WITHOUT WRITTEN PERMISSION FROM AMPHENOL CANADA CORP.