

| REVISED IEC NO: SH2010-0043 DRAWING: 2009/08/07 CHKD: JISONG APPR: RZHANG 2009/08/10 2009/09/13 | DESCRIPTION HIGH SPEED CONNECTOR 1.27MM PITCH VERTICAL SMT SOLDER TAIL | QUALITY SYMBOLS | GENERAL TOLERANCES (UNLESS SPECIFIED) | DIMENSION STYLE | SCALE | DESIGN UNITS | THIRD ANGLE PROJECTION | | | | | | | | | | | | | | | |
|---|--|--|---|------------------------------------|-----------|--------------|------------------------|-------|-------|----------|-------|-------|----------|--------|-------|---------|--------|-------|---------|-----|--------|--|
| | | $\nabla=0$ $\nabla=0$ | <table border="1"> <tr><th>PLACES</th><th>mm</th><th>INCH</th></tr> <tr><td>4 PLACES</td><td>± ---</td><td>± ---</td></tr> <tr><td>3 PLACES</td><td>± ---</td><td>± ---</td></tr> <tr><td>2 PLACES</td><td>± 0.15</td><td>± ---</td></tr> <tr><td>1 PLACE</td><td>± 0.25</td><td>± ---</td></tr> </table> | PLACES | mm | INCH | 4 PLACES | ± --- | ± --- | 3 PLACES | ± --- | ± --- | 2 PLACES | ± 0.15 | ± --- | 1 PLACE | ± 0.25 | ± --- | MM ONLY | 5:1 | METRIC | |
| | | PLACES | mm | INCH | | | | | | | | | | | | | | | | | | |
| | | 4 PLACES | ± --- | ± --- | | | | | | | | | | | | | | | | | | |
| 3 PLACES | ± --- | ± --- | | | | | | | | | | | | | | | | | | | | |
| 2 PLACES | ± 0.15 | ± --- | | | | | | | | | | | | | | | | | | | | |
| 1 PLACE | ± 0.25 | ± --- | | | | | | | | | | | | | | | | | | | | |
| DRAFT WHERE APPLICABLE MUST REMAIN WITHIN DIMENSIONS | DRAWN BY: GRATE MA CHECKED BY: YA JUN APPROVED BY: SAM DATE: 2004/02/02 DATE: 2004/02/02 DATE: 2004/02/02 | TITLE | HIGH SPEED CONNECTOR 1.27MM PITCH VERTICAL SMT SOLDER TAIL | MOLEX INCORPORATED SD-67800-005 | SHEET NO. | 1 OF 2 | | | | | | | | | | | | | | | | |
| MATERIAL NO. SEE SHEET 2 | DOCUMENT NO. SD-67800-005 | THIS DRAWING CONTAINS INFORMATION THAT IS PROPRIETARY TO MOLEX INCORPORATED AND SHOULD NOT BE USED WITHOUT WRITTEN PERMISSION | | | | | | | | | | | | | | | | | | | | |

10 9 8 7 6 5 4 3 2 1

NOTES:

1. MATERIAL:

HOUSING: HIGH TEMPERATURE THERMAL PLASTIC, GLASS FILLED,
UL94V-0, COLOR: REFER TO CHART.

TERMINAL: BRASS
POST: BRASS

2. TERMINAL PLATING:

CONTACT AREA: (a) GOLD FLASH
(b) GOLD, THICKNESS=0.76 MICRON MINIMUM
(c) GOLD, THICKNESS=0.38 MICRON MINIMUM

SOLDER TAIL: TIN, THICKNESS=1.27 MICRON MINIMUM
UNDER PLATE: NICKEL PLATED, THICKNESS=1.27 MICRON MINIMUM

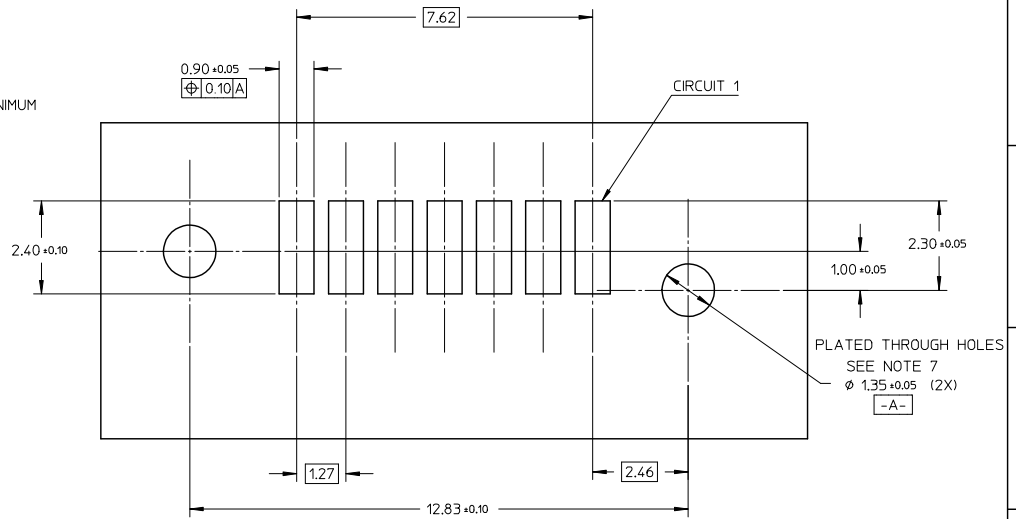
3. POST PLATING: UNDER PLATE: NICKEL, THICKNESS=1.25 MICRON MINIMUM
TIN, THICKNESS=1.9 MICRON MINIMUM OVER ALL

4. PACKAGING: PK-67800-001

5. PRODUCT SPECIFICATION REFER TO PS-67491-001

6. RECOMMENDED SOLDERING PROCESS: IR PROCESS

⚠ METAL POSTS TO BE SOLDERED TO PCB



RECOMMENDED P.C.B LAYOUT
CONNECTOR SIDE

| | | | | |
|-----------|--------------|--------|------|----------|
| 678005025 | SEE NOTE2(c) | | | PURE TIN |
| 678005022 | SEE NOTE2(b) | BLACK | 3.45 | |
| 678005021 | SEE NOTE2(g) | | | |
| 678005015 | SEE NOTE2(c) | | | |
| 678005012 | SEE NOTE2(b) | BLACK | 3.05 | |
| 678005011 | SEE NOTE2(a) | | | |
| 678005005 | SEE NOTE2(c) | BLACK | 2.65 | |
| 678005004 | SEE NOTE2(c) | YELLOW | | |
| 678005003 | SEE NOTE2(c) | BLUE | | |
| 678005002 | SEE NOTE2(b) | | | |
| 678005001 | SEE NOTE2(g) | BLACK | | |

| MATERIAL NO | PLATING TYPE | HOUSING COLOR | DIM A | REMARK |
|-------------|--------------|---------------|-------|--------|
| 678005025 | SEE NOTE2(c) | | | |

| | | | | | | | | | |
|--|--|---|------------|----------------------------|--------------------|---|------------------------|------------------------------|---------------------|
| REVISED IEC NO: SH2010-0043 DRAWING: 2009/08/07 CHK: J.SONG APPR: Z.HANG 2009/08/10 2009/09/13 | DESCRIPTION QUALITY SYMBOLS ▽=0 ▽=0 | GENERAL TOLERANCES (UNLESS SPECIFIED) | | DIMENSION STYLE MM ONLY | | SCALE 5:1 | DESIGN UNITS METRIC | THIRD ANGLE PROJECTION | |
| | | 4 PLACES ± --- ± --- 3 PLACES ± --- ± --- 2 PLACES ± 0.15 ± --- 1 PLACE ± 0.25 ± --- | mm INCH | DRAWN BY GRATE MA | DATE 2004/02/02 | TITLE HIGH SPEED CONNECTOR 1.27MM PITCH VERTICAL SMT SOLDER TAIL | | | |
| | | ANGULAR ± 1 ° | | CHECKED BY YA JUN | DATE 2004/02/02 | MOLEX INCORPORATED | | | |
| | | DRAFT WHERE APPLICABLE MUST REMAIN WITHIN DIMENSIONS | | APPROVED BY SAM | DATE 2004/02/02 | MATERIAL NO. SEE CHART | | DOCUMENT NO. SD-67800-005 | SHEET NO. 2 OF 2 |

THIS DRAWING CONTAINS INFORMATION THAT IS PROPRIETARY TO MOLEX INCORPORATED AND SHOULD NOT BE USED WITHOUT WRITTEN PERMISSION

ib_frame_A3_P_AM.T Rev. E 2006/04/15