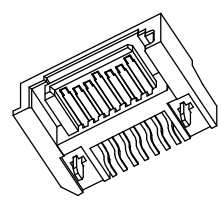
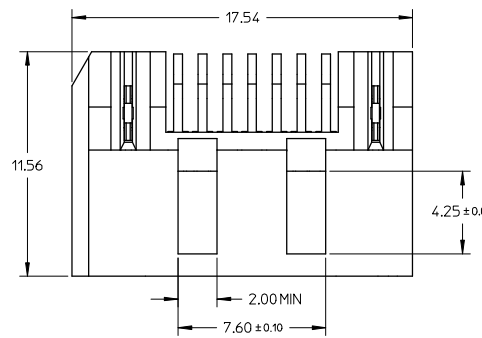
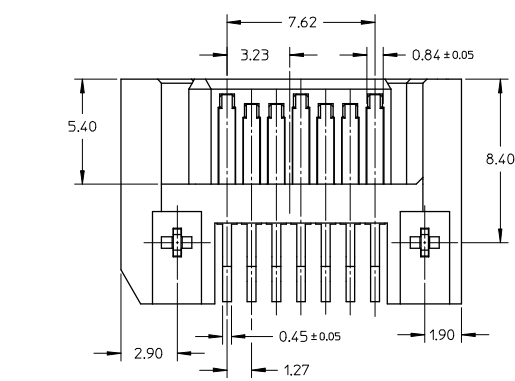
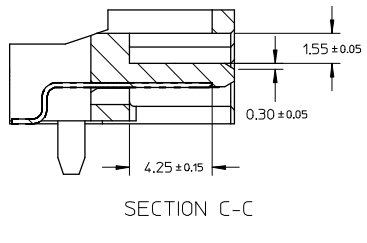
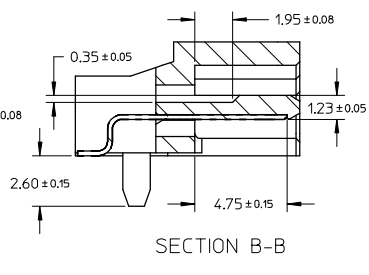
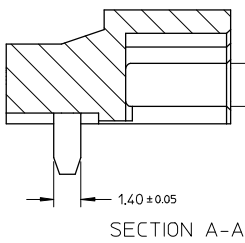
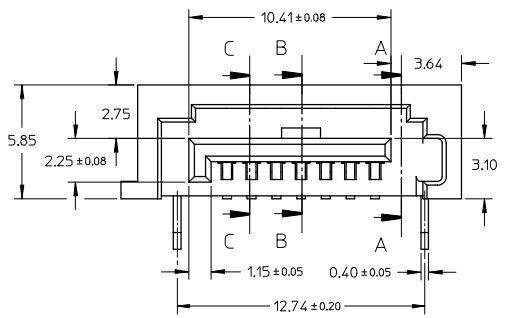


10 9 8 7 6 5 4 3 2 1

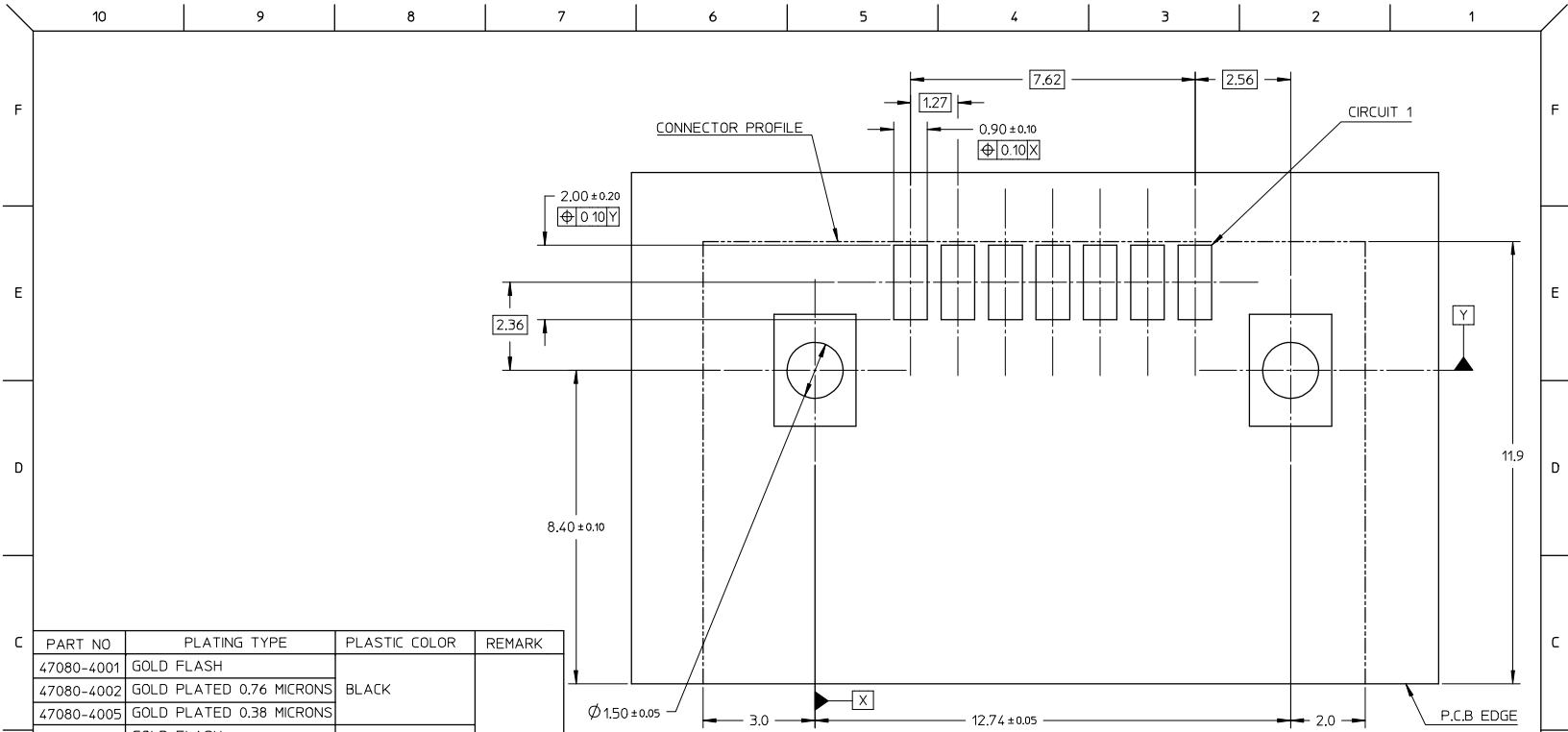


- NOTES:
- MATERIAL:
HOUSING: HIGH TEMPERATURE PLASTIC, GLASS FILLED, UL94V-0, COLOR: SEE CHART,
TERMINAL/PEG: COPPER ALLOY,
MYLAR: ADHESIVE TAPE.
 - TERMINAL AND PEG PLATING:
CONTACT AREA: GOLD PLATED ON 1.25 MICRONS MINIMUM NICKEL UNDER PLATE,
REFERRED TO PLATING TYPE LIST IN TABLE,
SOLDER AREA: 1.27 MICRONS PURE TIN PLATED ON 1.25 MICRONS
MINIMUM NICKEL UNDER PLATE, REFERRED TO REMARK IN TABLE.
 - PRODUCT SPECIFICATION REFER TO PS-67490-001.
 - MATING PART: 67489.
 - PRODUCT COMPLIANT TO RoHS DIRECTIVE 2002/95/EC AND ELV 2000/53/EC.



UPDATE DRAWING EC NO: SH2009-0041 TDRWNL SONG09 2008/08/06 CHYKDX JONG 2008/08/07 APPR:HMANG 2008/08/26 REV DESCRIPTION	QUALITY SYMBOLS	GENERAL TOLERANCES (UNLESS SPECIFIED)	DIMENSION STYLE	SCALE	DESIGN UNITS	THIRD ANGLE PROJECTION																		
	$\nabla=0$ $\sphericalangle=0$	<table border="1"> <tr><th colspan="2">mm</th><th>INCH</th></tr> <tr><td>4 PLACES</td><td>± ---</td><td>± ---</td></tr> <tr><td>3 PLACES</td><td>± ---</td><td>± ---</td></tr> <tr><td>2 PLACES</td><td>± 0.15</td><td>± ---</td></tr> <tr><td>1 PLACE</td><td>± 0.25</td><td>± ---</td></tr> <tr><td colspan="2">ANGULAR</td><td>± 1 °</td></tr> </table>	mm		INCH	4 PLACES	± ---	± ---	3 PLACES	± ---	± ---	2 PLACES	± 0.15	± ---	1 PLACE	± 0.25	± ---	ANGULAR		± 1 °	MM ONLY	1:1	METRIC	
	mm		INCH																					
	4 PLACES	± ---	± ---																					
3 PLACES	± ---	± ---																						
2 PLACES	± 0.15	± ---																						
1 PLACE	± 0.25	± ---																						
ANGULAR		± 1 °																						
DRAFT WHERE APPLICABLE MUST REMAIN WITHIN DIMENSIONS	<table border="1"> <tr><td>DRAWN BY</td><td>DATE</td></tr> <tr><td>GRATE MA</td><td>2004/06/14</td></tr> <tr><td>CHECKED BY</td><td>DATE</td></tr> <tr><td>GRATE MA</td><td>2004/06/14</td></tr> <tr><td>APPROVED BY</td><td>DATE</td></tr> <tr><td>VINCENT</td><td>2004/06/14</td></tr> </table>	DRAWN BY	DATE	GRATE MA	2004/06/14	CHECKED BY	DATE	GRATE MA	2004/06/14	APPROVED BY	DATE	VINCENT	2004/06/14	TITLE	SATA SYSTEM PLUG PEG INSERT TYPE WITH SHROUD									
DRAWN BY	DATE																							
GRATE MA	2004/06/14																							
CHECKED BY	DATE																							
GRATE MA	2004/06/14																							
APPROVED BY	DATE																							
VINCENT	2004/06/14																							
	MATERIAL NO.	DOCUMENT NO.	MOLEX INCORPORATED		SHEET NO.																			
	SEE SHEET 2	SD-47080-001			1 OF 2																			
	THIS DRAWING CONTAINS INFORMATION THAT IS PROPRIETARY TO MOLEX INCORPORATED AND SHOULD NOT BE USED WITHOUT WRITTEN PERMISSION																							

tb_frame_A3_P_AM_T
Rev. E 2006/04/15



PART NO	PLATING TYPE	PLASTIC COLOR	REMARK
47080-4001	GOLD FLASH	BLACK	BRIGHT TIN
47080-4002	GOLD PLATED 0.76 MICRONS		
47080-4005	GOLD PLATED 0.38 MICRONS		
47080-5001	GOLD FLASH	NATURE COLOR	BRIGHT TIN
47080-5002	GOLD PLATED 0.76 MICRONS		
47080-5005	GOLD PLATED 0.38 MICRONS		
47080-6001	GOLD FLASH	PROCESS BLUE C	DELTA E<3
47080-6002	GOLD PLATED 0.76 MICRONS		
47080-6005	GOLD PLATED 0.38 MICRONS		
47080-1010	GOLD FLASH	BLACK	MATTE TIN
47080-1020	GOLD PLATED 0.76 MICRONS		
47080-1030	GOLD PLATED 0.38 MICRONS		
47080-2010	GOLD FLASH	NATURE COLOR	MATTE TIN
47080-2020	GOLD PLATED 0.76 MICRONS		
47080-2030	GOLD PLATED 0.38 MICRONS		
47080-3010	GOLD FLASH	PROCESS BLUE C	DELTA E<3
47080-3020	GOLD PLATED 0.76 MICRONS		
47080-3030	GOLD PLATED 0.38 MICRONS		

RECOMMENDED P.C.B LAYOUT
THICKNESS: 1.60 +/- 0.05

UPDATE DRAWING EC NO: SH2009-0041 DRAWN: SONG09 2008/08/06 CHKD: JISSONG 2008/08/07 APPR: HWIANG 2008/08/26	QUALITY SYMBOLS ▽=0 ▽=0	GENERAL TOLERANCES (UNLESS SPECIFIED)		DIMENSION STYLE	SCALE	DESIGN UNITS	THIRD ANGLE PROJECTION	
		mm	INCH	MM ONLY	1:1	METRIC		
		4 PLACES ± ---	± ---	DRAWN BY	DATE	TITLE		
		3 PLACES ± ---	± ---	GRATE MA	2004/06/14	SATA SYSTEM PLUG PEG INSERT TYPE WITH SHROUD		
2 PLACES ± 0.15	± ---	CHECKED BY	DATE	MOLEX INCORPORATED SD-47080-001				
1 PLACE ± 0.25	± ---	GRATE MA	2004/06/14					
ANGULAR ± 1°	± ---	APPROVED BY	DATE	MATERIAL NO.	DOCUMENT NO.	SHEET NO.		
		VINCENT	2004/06/14	SEE TABLE	SD-47080-001	2 OF 2		
DRAFT WHERE APPLICABLE MUST REMAIN WITHIN DIMENSIONS		SIZE A3		THIS DRAWING CONTAINS INFORMATION THAT IS PROPRIETARY TO MOLEX INCORPORATED AND SHOULD NOT BE USED WITHOUT WRITTEN PERMISSION				