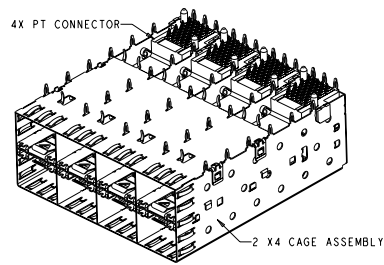
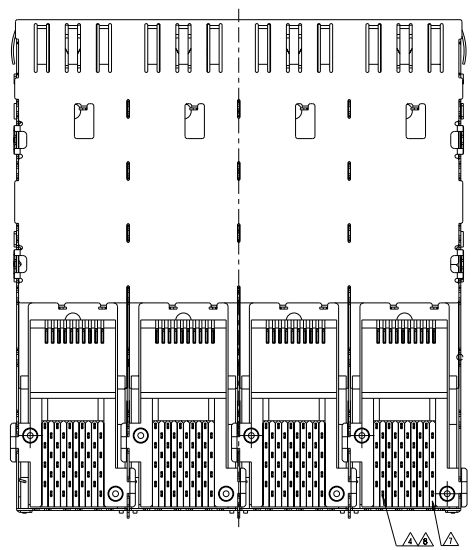
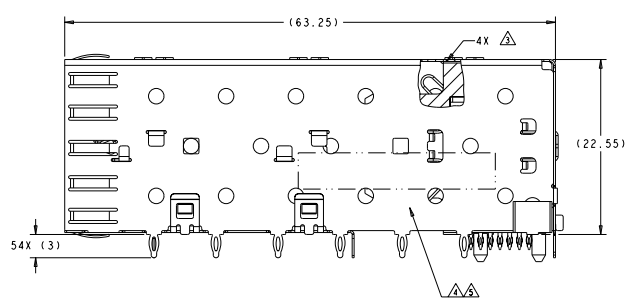
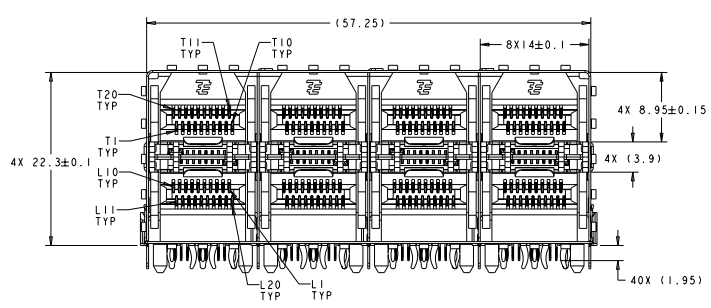


DATE: 08/20/2018 BY: PDC ELECTRONICS CORPORATION ALL RIGHTS RESERVED

REV	DATE	DESCRIPTION	BY	CHK	APP
ES	00	RELEASED PER ECO-10-023680	STANLEY JT	CM	



1658629-1
SCALE: 2:1

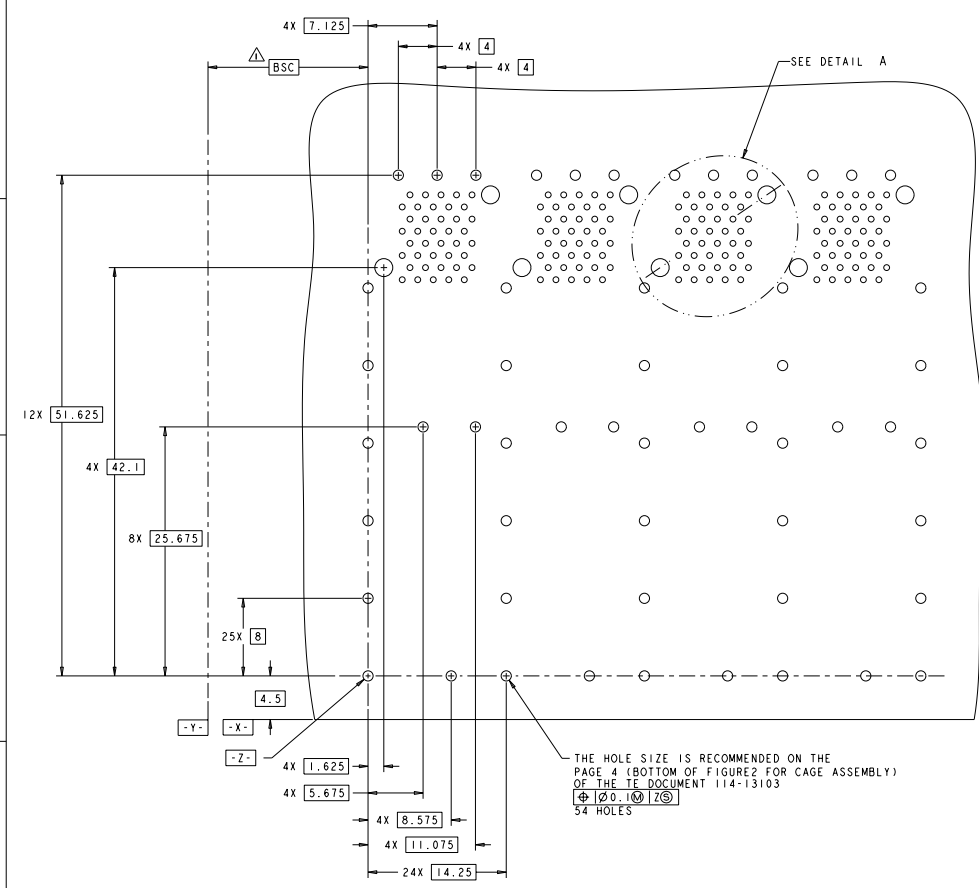
- △ DATUM AND BASIC DIMENSION TO BE DETERMINED BY CUSTOMER.
- △ INTERPRETATION OF DATUM REFERENCE FRAME IN ACCORDANCE WITH SECT 4.4.1.1 OF ASME Y14.5M-1994.
- △ TOP OF PT CONNECTOR TO BE 0-0.15 FROM INSIDE SURFACE OF CAGE.
- △ COPPER ALLOY.
- △ 1.25um MIN TIN PER ASTM B 545 OVER NICKEL FLASH PER QQ-N-290. NON-PLATED EDGES PERMISSIBLE.
- △ LCP, HIGH TEMPERATURE, UL 94V-0 RATED, BLACK.
- △ POLYESTER, UL 94V-0 RATED, BLACK.
- △ CONTACT MATING AREA: SURFACE TREATMENT OVER 0.76um MIN GOLD PER ASTM B 488 OVER 1.27um MIN NICKEL PER QQ-N-290. NEEDLE EYE: 1.25um MIN TIN PER ASTM B 545 OVER 1.27um MIN NICKEL PER QQ-N-290. REMAINDER OF CONTACT: 0.76um MIN NICKEL PER QQ-N-290.

1658629-1
PART NUMBER

REV: 00	DATE: 08/20/2018	BY: STANLEY JT	CHK: CM	APP: [Signature]
DESCRIPTION:	CAGE AND PT CONNECTOR ASSEMBLY, 2x4, PRESS FIT, LOW PROFILE, SFP			
DATE:	00778	SCALE:	2:1	REVISION:
CUSTOMER DRAWING				

PROF. ENGINEER DRAWING

REV	DATE	DESCRIPTION	BY	CHK	APP
ES	00	SEE SHEET 1			

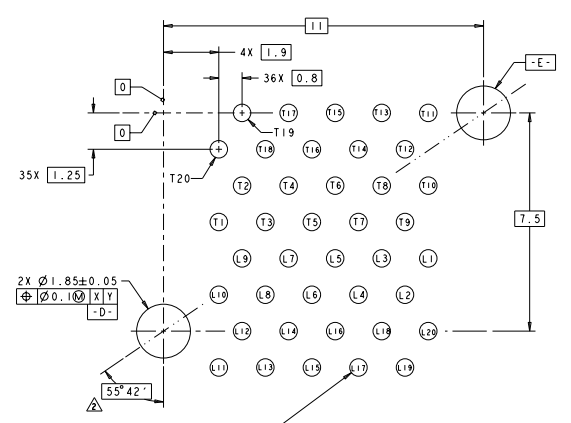


THE HOLE SIZE IS RECOMMENDED ON THE PAGE 4 (BOTTOM OF FIGURE 2 FOR CAGE ASSEMBLY) OF THE TE DOCUMENT 114-13103

$\Phi \ 0.100 \ 7S$

54 HOLES

RECOMMENDED PCB CONFIGURATION
SCALE 5:1



THE HOLE SIZE IS RECOMMENDED ON THE PAGE 4 (TOP OF FIGURE 2 FOR CONNECTOR) OF THE TE DOCUMENT 114-13103

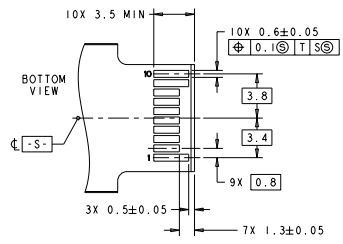
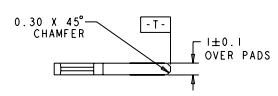
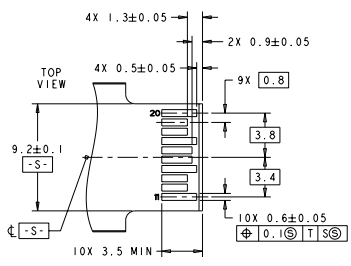
$\Phi \ 0.080 \ D5 | E5$

40X4 HOLES

DETAIL A
SCALE 15:1

DATE: 11/14/03	BY: J. HENRY	APP: J. HENRY	DATE: 11/14/03	REV: 00	DATE: 11/14/03
DESIGNED BY: J. HENRY	CHECKED BY: J. HENRY	DATE: 11/14/03	DATE: 11/14/03	DATE: 11/14/03	DATE: 11/14/03
PROJECT: 168-2161	DESCRIPTION: CAGE AND PT CONNECTOR ASSEMBLY, 2x4, PRESS FIT, LOW PROFILE, SFP	DATE: 11/14/03	SCALE: 5:1	DATE: 11/14/03	DATE: 11/14/03
REV: 00	DATE: 11/14/03	DATE: 11/14/03	DATE: 11/14/03	DATE: 11/14/03	DATE: 11/14/03
CUSTOMER DRAWING	DATE: 11/14/03	DATE: 11/14/03	DATE: 11/14/03	DATE: 11/14/03	DATE: 11/14/03

REV	DATE	REVISIONS	BY	CHK	APP
ES	00	SEE SHEET 1			



RECOMMENDED LAYOUT FOR MATING TRANSCEIVER PCB
SCALE 6:1

DATE: 11/14/03 DRAWN BY: J. H. HARRIS CHECKED BY: J. H. HARRIS APPROVED BY: J. H. HARRIS		REV: 1 DATE: 11/14/03 BY: J. H. HARRIS CHECKED BY: J. H. HARRIS APPROVED BY: J. H. HARRIS		TITLE: CAGE AND PT CONNECTOR ASSEMBLY, 2x4, PRESS FIT, LOW PROFILE, SFP	
PART NO: 16558629		QTY: 1000		DRAWING NO: 16558629	
CUSTOMER DRAWING		SCALE: 1:1		SHEET: 3 OF 3	