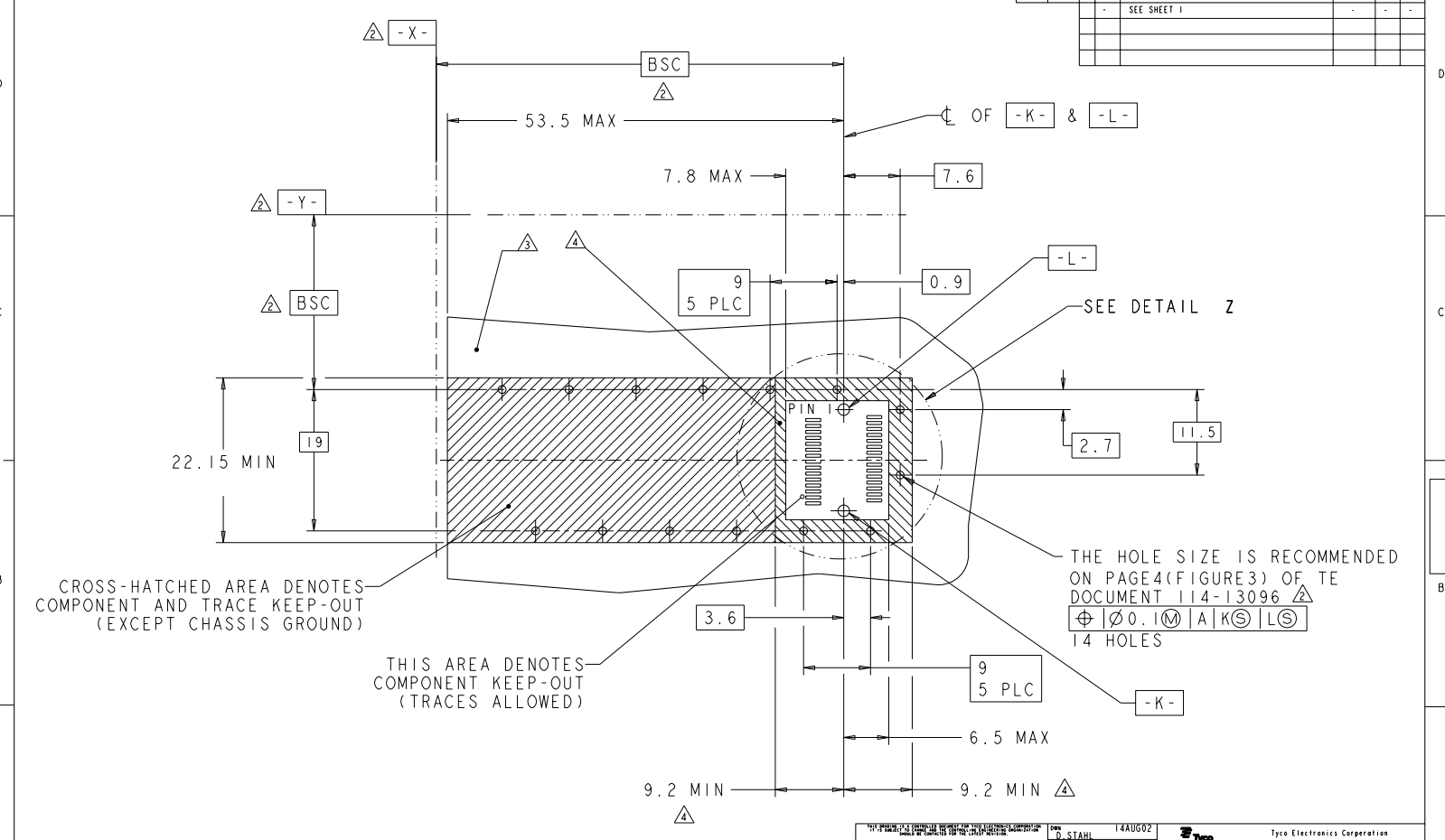


- △ MATES WITH XFP-MSA COMPLIANT TRANSCEIVERS.
- △ DATUM **-X-** AND **-Y-** ESTABLISHED BY CUSTOMER.
- △ DATUM **-A-** IS TOP SURFACE OF HOST BOARD.
- △ INDICATED SURFACES TO BE CONDUCTIVE AND CONNECTED TO CHASSIS GROUND.

| LOC | DISP | REV | DESCRIPTION | DATE | BY | APPD |
|-----|------|-----|---------------------------|-----------|----|------|
| ES | 00 | D | REVISED PER ECO-10-023988 | 19DEC2010 | JY | CW |

| | |
|-----------|-------------|
| YES | 1489951-2 |
| NO | 1489951-1 |
| DATE CODE | PART NUMBER |

| | | | | |
|---|--|--|--|---|
| DIMENSIONS: mm 0 PLC ±.1 1 PLC ±.1 2 PLC ±.01 3 PLC ±.001 4 PLC ±.0001 ANGLES ±. | | DATE: 14AUG02 CD: D. STAHL 15JAN04 APD: J. KOPPENHEFER 15JAN04 NAME: M. WALMSLEY PRODUCT SPEC: 108-2127 APPLICATION SPEC: 114-13096 | Tycos Electronics Corporation Shanghai, China CAGE ASSEMBLY, 10 GIGABIT, XFP DATE CODE: A2 CASE CODE: 00779 DRAWING NO: 1489951 | RESTRICTED TO: - SCALE: 4 SHEET: 1 OF 3 REV: D |
|---|--|--|--|---|



| REVISIONS | | | | |
|-----------|------|----|------|-------------|
| REV | DATE | BY | APPV | DESCRIPTION |
| - | - | - | - | SEE SHEET 1 |

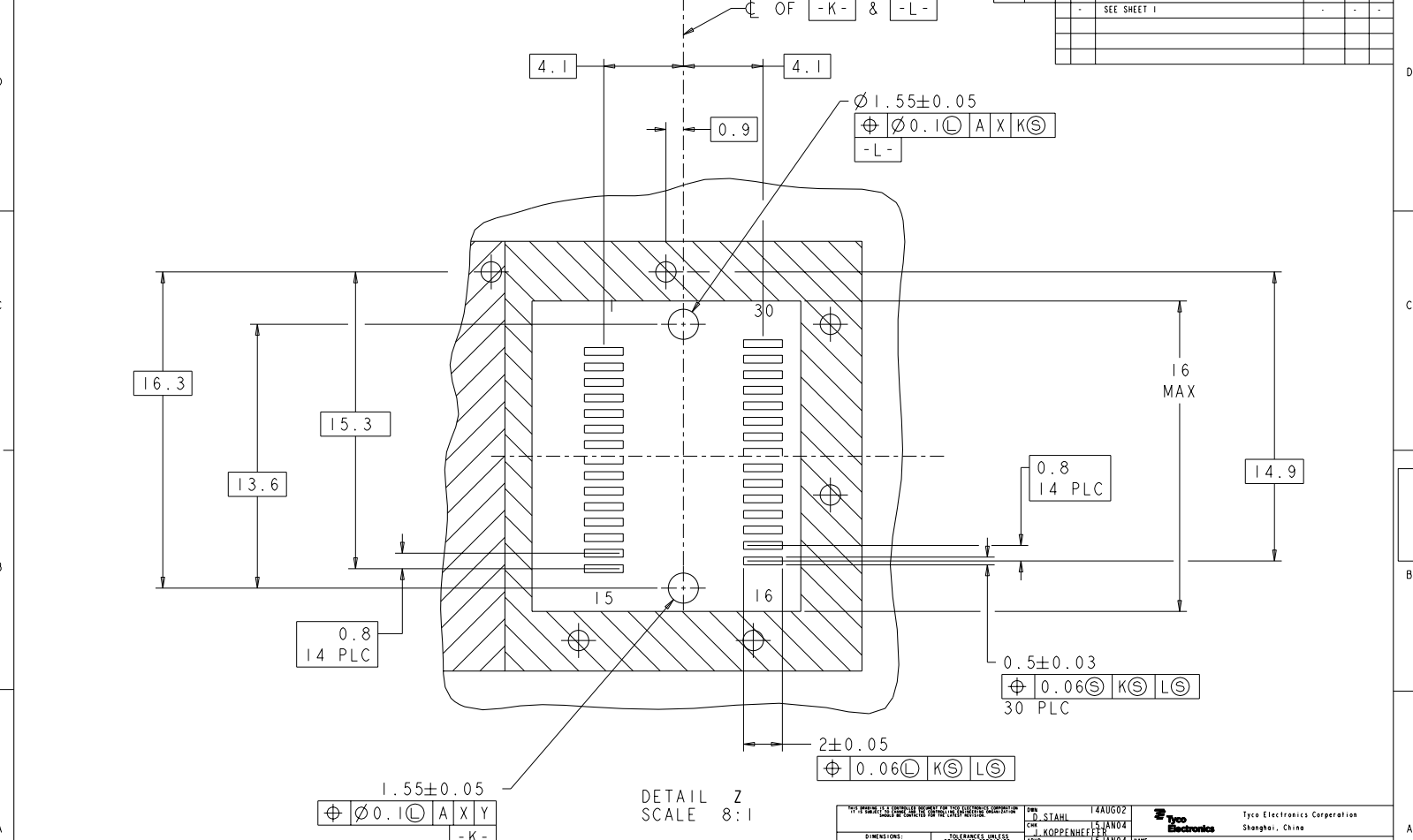
CROSS-HATCHED AREA DENOTES COMPONENT AND TRACE KEEP-OUT (EXCEPT CHASSIS GROUND)

THIS AREA DENOTES COMPONENT KEEP-OUT (TRACES ALLOWED)

THE HOLE SIZE IS RECOMMENDED ON PAGE 4 (FIGURE 3) OF TE DOCUMENT 114-13096
 $\varnothing 0.1 \text{ M} \text{ A} \text{ K} \text{ L} \text{ S}$
 14 HOLES

DETAILED HOST BOARD MECHANICAL LAYOUT

| | | | |
|--|-----------|---|---|
| DIMENSIONS: mm TOLERANCES UNLESS OTHERWISE SPECIFIED: 0 PLC ±.1 1 PLC ±.1 2 PLC ±.01 3 PLC ±.001 4 PLC ±.0001 ANGLES ±.0001 | | DWG NO: 14AUG02 CD: D. STAHL DATE: 15 JAN 04 APD: M. WALSLEY DATE: 15 JAN 04 PRODUCT SPEC: 108-2127 APPLICATION SPEC: 114-13096 | Tyco Electronics Corporation Shanghai, China CAGE ASSEMBLY, 10 GIGABIT, XFP |
| MATERIAL: - | FINISH: - | WEIGHT: - | SHEET: A2 CAGE CODE: 00779 DRAWING NO: 1489951 RESTRICTED TO: - CUSTOMER DRAWING SCALE: 4 SHEET: 2 OF 3 REV: D |



DETAILED HOST BOARD MECHANICAL LAYOUT

| REVISONS | | DATE | BY | APPR |
|----------|-------------|------|----|------|
| 1 | SEE SHEET 1 | - | - | - |

| | | | | | |
|--|--|--|--|---|---|
| DIMENSIONS: mm 0 PLC ±.1 1 PLC ±.01 2 PLC ±.001 3 PLC ±.0001 ANGLES ±.0001 | | DATE: 14AUG02 CD: D STAHL BY: J KOPPENHEFER APPR: M WALMSLEY PRODUCT SPEC: 108-2127 APPLICATION SPEC: 114-13096 WEIGHT: - FINISH: - | TYPICAL TOLERANCES FOR THIS DRAWING: UNLESS OTHERWISE SPECIFIED DIMENSIONS ARE IN MILLIMETERS DECIMAL DIMENSIONS ARE TO THE CLOSEST TOLERANCE | DATE: 15JAN04 NAME: M WALMSLEY TITLE: CAGE CODE DRAWING NO: A200779 ©=1489951 | Tyco Electronics Corporation Shanghai, China CAGE ASSEMBLY, 10 GIGABIT, XFP RESTRICTED TO: - SCALE: 4 SHEET 3 OF 3 REV D |
|--|--|--|--|---|---|