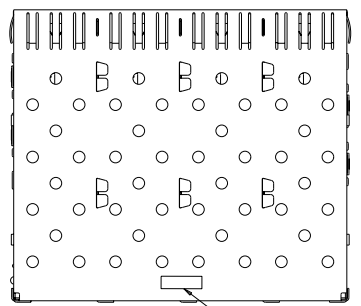
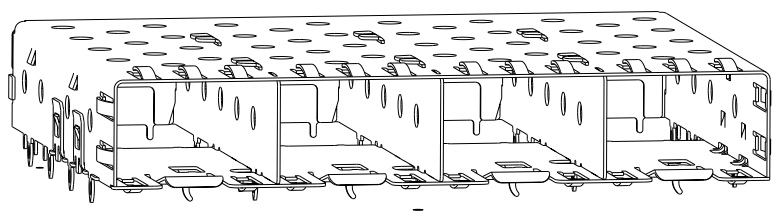
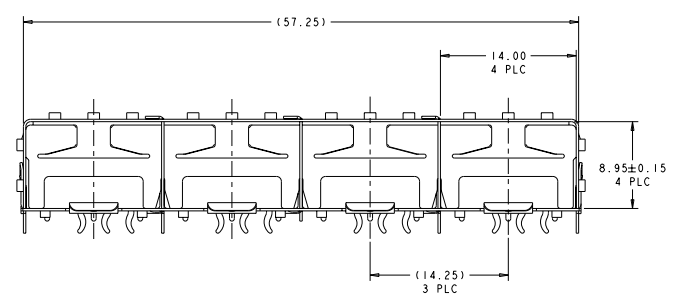
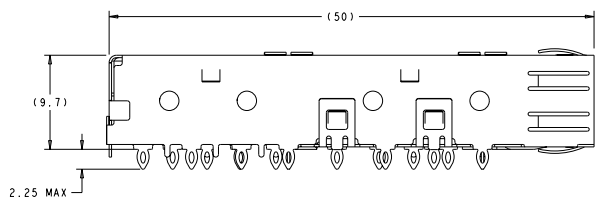


REV	DATE	DESCRIPTION	BY	CHK	APP
01		REVISED PER ECO-11-003319	DIANEHL	JT	CB



SCALE 3:1

- △ MATERIAL: 0.25 THICK COPPER ALLOY.
- △ FINISH: TIN PLATING PER ASTM B 545. 1.25um MINIMUM THICKNESS ALL OVER NICKEL FLASH PER QQ-N-290. NONPLATED EDGES PERMISSIBLE.
- △ PADS AND VIAS CHASSIS GROUND.
- △ DATUM AND BASIC DIMENSION ESTABLISHED BY CUSTOMER.
- △ REFERENCE APPLICATION SPEC 114-13120, HOLE A, FOR RECOMMENDED DRILL HOLE DIAMETER AND PLATING THICKNESSES.
- △ REFERENCE APPLICATION SPEC 114-13120, HOLE B, FOR RECOMMENDED DRILL HOLE DIAMETER AND PLATING THICKNESSES.
- △ COMPANY LOGO IN APPROXIMATE AREA SHOWN
- △ PATTERN REPEATS FOR EACH PORT. SPACING BETWEEN PORTS IS 14.25 mm.



1658744-1
 1X4 CAGE ASSEMBLY
 SCALE 6:1

1X4	1658744-1
POSITION	PART NUMBER

THIS DRAWING IS A CONTROLLED DOCUMENT.

DATE: 04/20/03	BY: J. HALL	FOR: MATEX
DATE: 08/19/00	BY: M. HALL	FOR: MATEX
DATE: 11/6/13/00	BY: J. HALL	FOR: MATEX

TE Connectivity

CAGE ASSEMBLY, 1X4
 PRESS FIT,
 SFP

SIZE: 1658744-1
 PART: 00779
 CUSTOMER DRAWING

