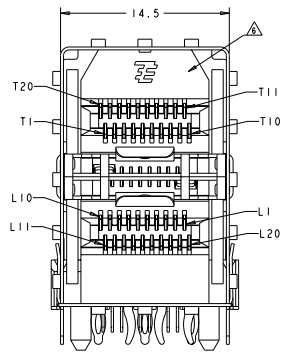
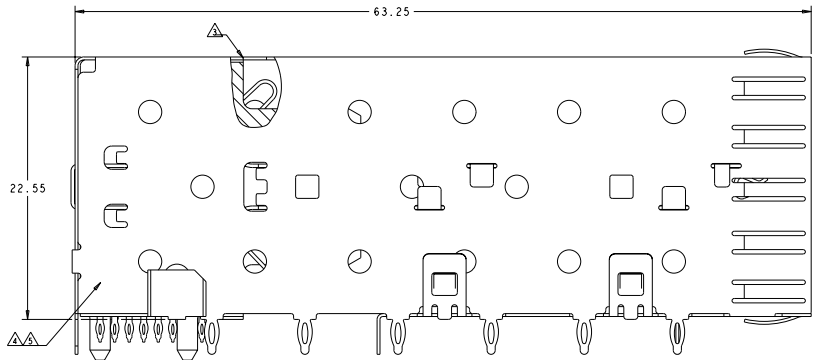
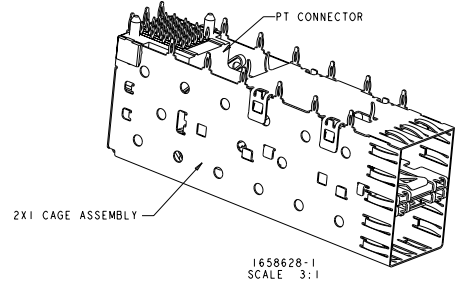
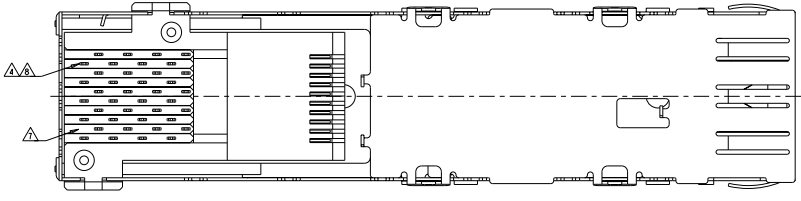


REV	DATE	DESCRIPTION	BY	CHK	APP
E	2018-07-01	REVISED PER ECR-07-018402	SHENYAO	SL	SY
E1	2018-08-08	REVISED ECR-08-013764	SHENYAO	AZ	SY
E2	2018-10-01	REVISED PER ECO-10-014653	SHENYAO	JT	CF
F	2018-10-23	REVISED PER ECO-10-023688	SHENYAO	JT	CF



- △ DATUM AND BASIC DIMENSION TO BE DETERMINED BY CUSTOMER.
- △ INTERPRETATION OF DATUM REFERENCE FRAME IN ACCORDANCE WITH SECT 4.4.1.1 OF ASME Y14.5M-1994.
- △ TOP OF PT CONNECTOR TO BE 0-0.15 FROM INSIDE SURFACE OF CAGE.
- △ COPPER ALLOY.
- △ 1.25umMIN TIN PER ASTM B 545 OVER NICKEL FLASH PER QQ-N-290. NON-PLATED EDGES PERMISSIBLE.
- △ LCP, HIGH TEMPERATURE, UL 94V-0 RATED, BLACK.
- △ POLYESTER, UL 94V-0 RATED, BLACK.
- △ CONTACT MATING AREA: SURFACE TREATMENT OVER 0.76um MIN GOLD PER ASTM B 488 OVER 1.27um MIN NICKEL PER QQ-N-290. NEEDLE EYE: 1.25um MIN TIN PER ASTM B 545 OVER 1.27um MIN NICKEL PER QQ-N-290. REMAINDER OF CONTACT: 0.76um MIN NICKEL PER QQ-N-290.



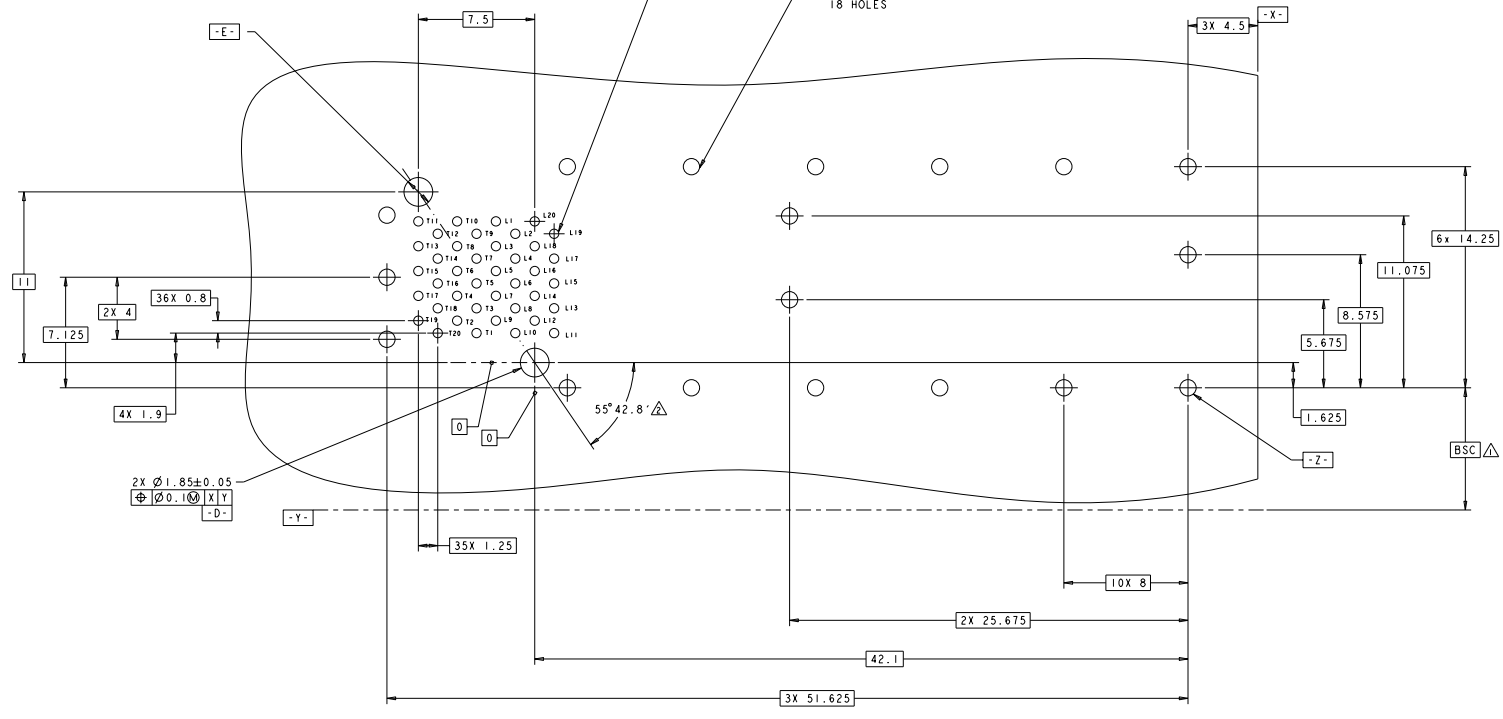
1658628-1
 PART NUMBER

DATE: 2019-01-28	BY: SHENYAO	CHK: SHENYAO	APP: SHENYAO
REV: E	DATE: 2018-07-01	DESCRIPTION: REVISED PER ECR-07-018402	BY: SHENYAO
REV: E1	DATE: 2018-08-08	DESCRIPTION: REVISED ECR-08-013764	BY: SHENYAO
REV: E2	DATE: 2018-10-01	DESCRIPTION: REVISED PER ECO-10-014653	BY: SHENYAO
REV: F	DATE: 2018-10-23	DESCRIPTION: REVISED PER ECO-10-023688	BY: SHENYAO
CUSTOMER DRAWING		DATE: 2019-01-28	BY: SHENYAO

REVIS		REVISORS	
NO	DATE	DESCRIPTION	BY
ES	00	SEE SHEET 1	

THE HOLE SIZE IS RECOMMENDED ON THE
 PAGE 4 (TOP OF FIGURE2 FOR CONNECTOR)
 OF THE IE DOCUMENT 114-13103
 $\varnothing 0.08 \pm 0.01$ Z(S)
 40 HOLES

THE HOLE SIZE IS RECOMMENDED ON THE
 PAGE 4 (BOTTOM OF FIGURE2 FOR CAGE ASSEMBLY)
 OF THE IE DOCUMENT 114-13103
 $\varnothing 0.10 \pm 0.01$ Z(S)
 18 HOLES



SFP HOST BOARD
 MECHANICAL LAYOUT
 SCALE 8:1

DATE: 11/14/03 DRAWN BY: J. HANLEY CHECKED BY: J. HANLEY APPROVED BY: J. HANLEY TITLE: SFP HOST BOARD MECHANICAL LAYOUT		DATE: 11/14/03 DRAWN BY: J. HANLEY CHECKED BY: J. HANLEY APPROVED BY: J. HANLEY TITLE: SFP HOST BOARD MECHANICAL LAYOUT		DATE: 11/14/03 DRAWN BY: J. HANLEY CHECKED BY: J. HANLEY APPROVED BY: J. HANLEY TITLE: SFP HOST BOARD MECHANICAL LAYOUT	
CUSTOMER DRAWING		CUSTOMER DRAWING		CUSTOMER DRAWING	

