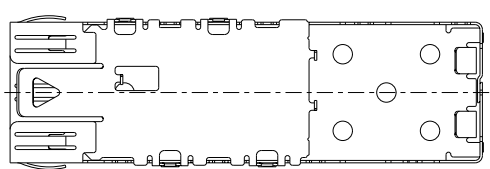
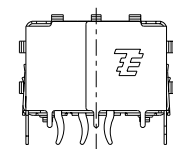
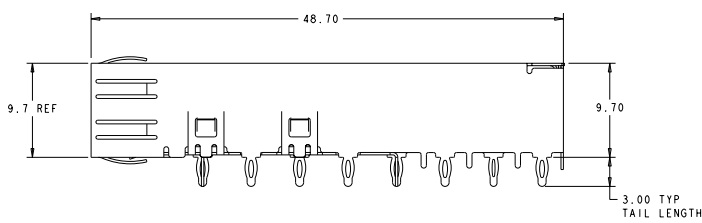
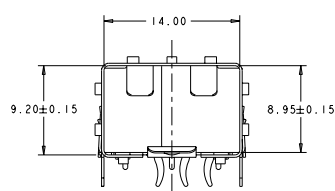
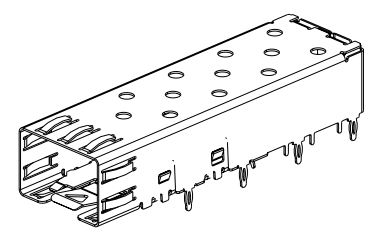
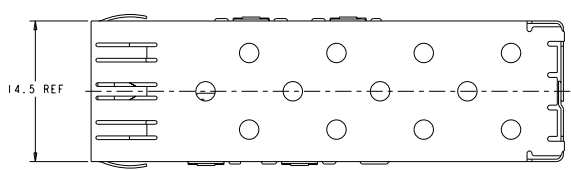


8	7	6	5	4	3	2	1
REVISED PER FABRICATION	REVISED PER FABRICATION	REVISED PER FABRICATION	REVISED PER FABRICATION	REVISED PER FABRICATION	REVISED PER FABRICATION	REVISED PER FABRICATION	REVISED PER FABRICATION
BY TICO ELECTRONICS CORPORATION. ALL RIGHTS RESERVED.	BY TICO ELECTRONICS CORPORATION. ALL RIGHTS RESERVED.	BY TICO ELECTRONICS CORPORATION. ALL RIGHTS RESERVED.	BY TICO ELECTRONICS CORPORATION. ALL RIGHTS RESERVED.	BY TICO ELECTRONICS CORPORATION. ALL RIGHTS RESERVED.	BY TICO ELECTRONICS CORPORATION. ALL RIGHTS RESERVED.	BY TICO ELECTRONICS CORPORATION. ALL RIGHTS RESERVED.	BY TICO ELECTRONICS CORPORATION. ALL RIGHTS RESERVED.

REV	DATE	REVISIONS			
		DESCRIPTION	BY	CHKD	APP'D
00	GP				
C2		REVISED PER CCR-07-025780	PRG081	TZ	ST



- △ MATERIAL: 0.25 THICK COPPER ALLOY.
- △ FINISH: TIN. NONPLATED EDGES PERMISSIBLE.
- 3. SFP MSA COMPATIBLE.
- △ PADS AND VIAS CHASSIS GROUND.
- △ DATUM AND BASIC DIMENSION ESTABLISHED BY CUSTOMER.
- 6. MINIMUM PCB BOARD THICKNESS:
 - SINGLE SIDED- 1.45
 - DOUBLE SIDED- 3.00

Copyright 2002
Tyco Electronics Corp
All Rights Reserved

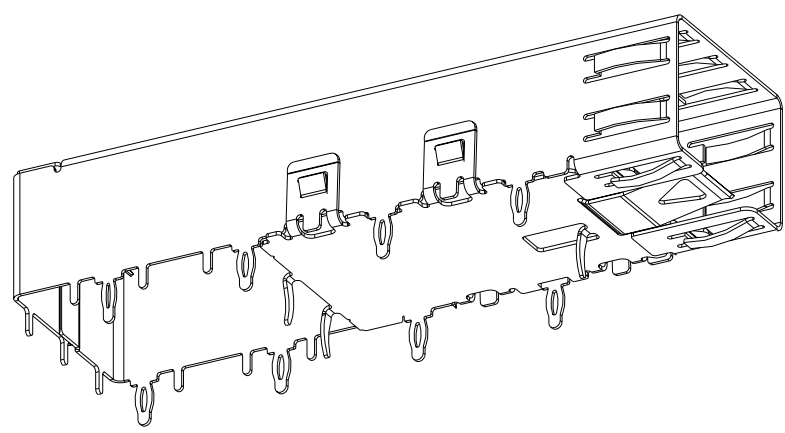
AS SHOWN	1489669-1
DESCRIPTION	PART NUMBER

DATE: 02/20/02	BY: TAYVEZ	CHECKED: TAYVEZ	DATE: 02/20/02
APPROVED: TAYVEZ	APPROVED: TAYVEZ	APPROVED: TAYVEZ	APPROVED: TAYVEZ
PROJECT: 100-1850	DRAWING NO: 116-13120	REV: 0	DATE: 02/20/02
MATERIAL: COPPER ALLOY		FINISH: TIN	
TOLERANCES: DIMENSIONS ARE UNLESS OTHERWISE SPECIFIED		FRACTIONS: 1/16, 1/8, 3/16, 1/4, 3/8, 1/2	
STANDARD: MILL		UNIT: INCHES	
SHEET: 1 OF 1		DRAWN BY: TAYVEZ	
CUSTOMER DRAWING: A		PART NUMBER: 1489669-1	

APP: 0000 REV: 00000000
PREF: ENGINEER DRAWING

8 7 6 5 4 3 2 1
 ALL RIGHTS RESERVED
 ALL RIGHTS RESERVED
 ALL RIGHTS RESERVED

REVISED		REVISIONS			
NO.	DATE	BY	DESCRIPTION	DATE	BY
GP	00		SEE SHEET 1		

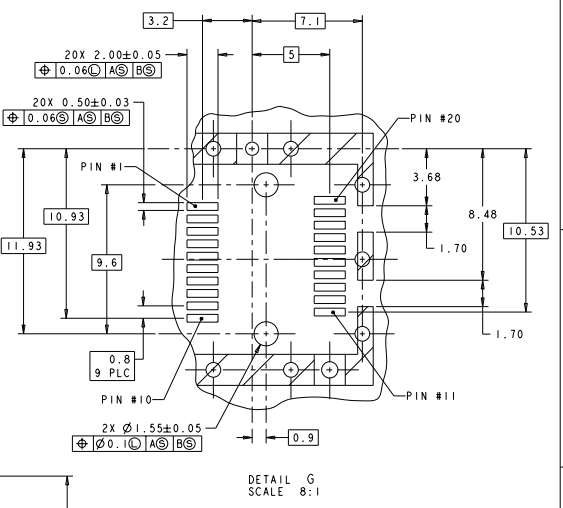
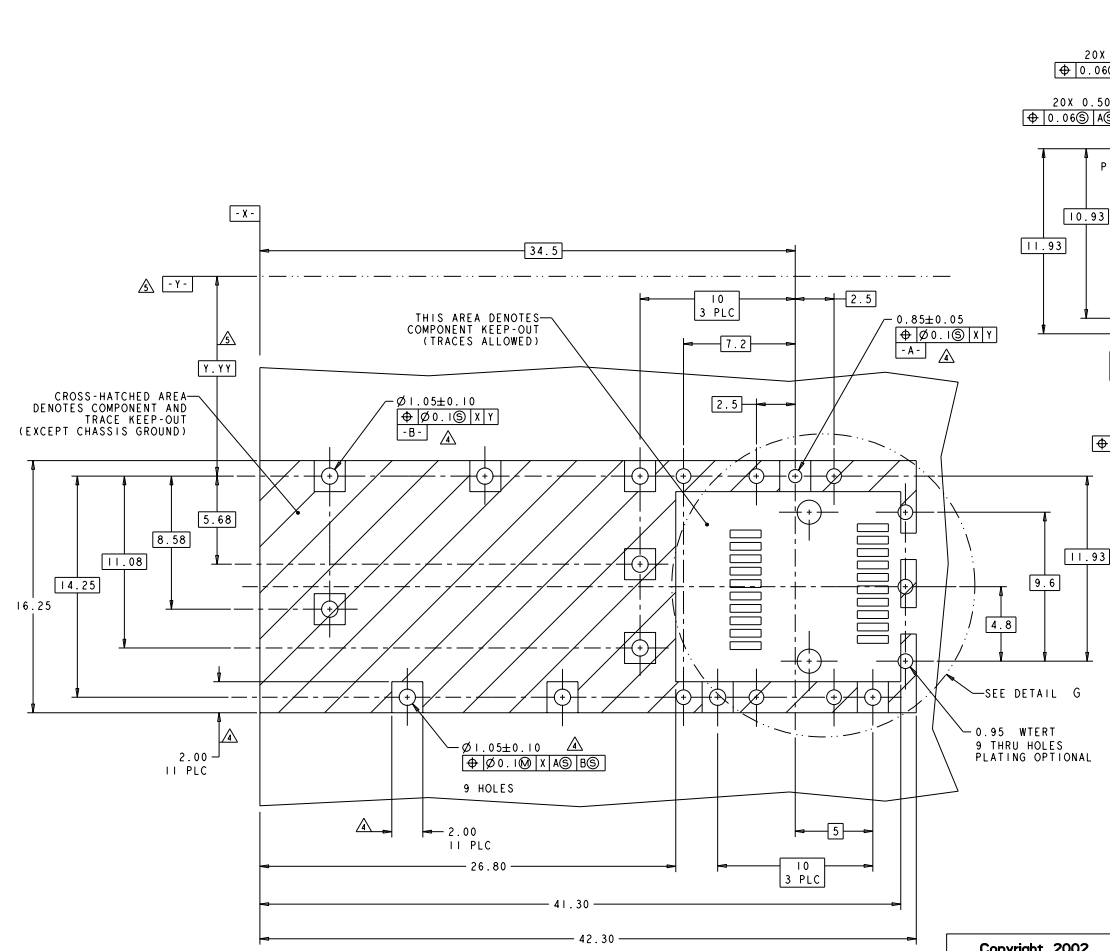


SCALE 8:1

Copyright 2002
 Tyco Electronics Corp
 All Rights Reserved

TITLE: CAGE ASSEMBLY, 11 PRESS FIT, SFP PART NO: 00779 REV: A DATE: 02/08/02 DRAWN BY: J. HOPKINS CHECKED BY: J. HOPKINS APPROVED BY: J. HOPKINS CUSTOMER DRAWING		Tyco Electronics Harrisburg, PA 17105-3600 CAGE ASSEMBLY, 11 PRESS FIT, SFP 00779 1489669	
--	--	---	--

REVISOR		REVISIONS	
DATE	BY	DESCRIPTION	DATE
GP	00	SEE SHEET 1	



RECOMMENDED PCB LAYOUT
 SCALE 8:1

Copyright 2002
 Tyco Electronics Corp
 All Rights Reserved

DATE: 02AUG02	BY: J. HOPKINS	CHKD: J. HOPKINS	DATE: 02AUG02
DESIGNED BY: J. HOPKINS	DATE: 02AUG02	APP'D: J. HOPKINS	DATE: 02AUG02
PROJECT: 100-1950	DESCRIPTION: CAGE ASSEMBLY, 11 PRESS FIT, SFP	STATE: PA	DATE: 02AUG02
REV: A	REV: 00779	REV: 1489669	REV: 1489669
CUSTOMER DRAWING	SHEET 3	OF 3	DATE: 02AUG02