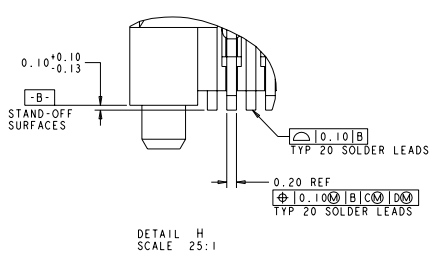
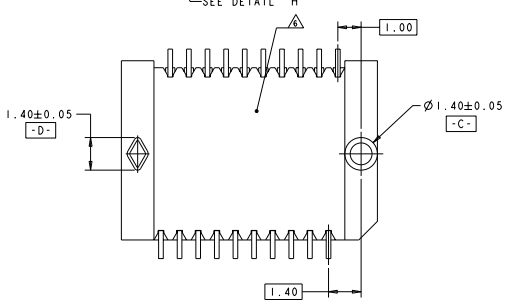
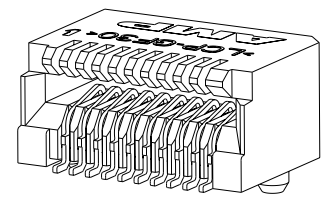
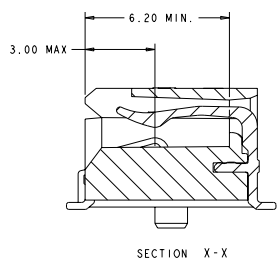
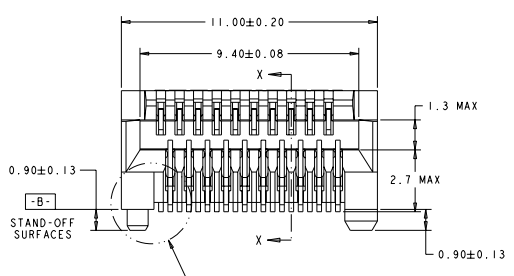
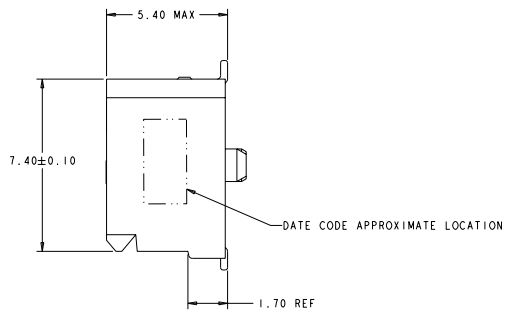
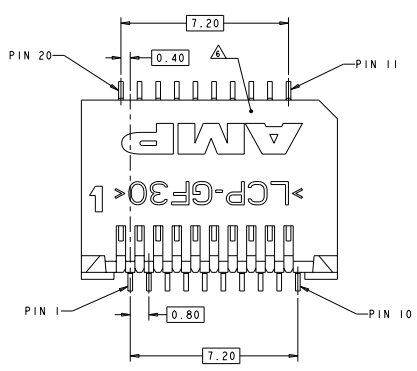


REV	DATE	DESCRIPTION	BY	CHK	APP
D	00	REVISED PER ECR-07-019122	JLJ/ML	ML	SF
F		REVISED PER ECR-07-025522	ZHC/ML	LL	SF
G		REVISED PER ECR-09-001268	CM/ML	AL	SF
H		REVISED PER ECR-09-015300	ML/ML	AL	SF



YES	△	1888247-4
YES	△	1888247-3
NO	△	1888247-2
NO	△	1888247-1
DATE CODE	FINISH	PART NUMBER

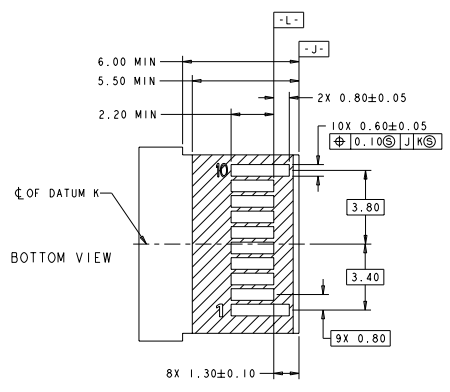
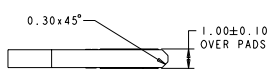
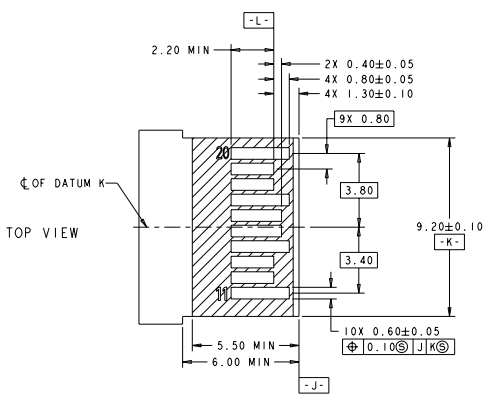
REV	DATE	DESCRIPTION	BY	CHK	APP
A	00	00779			

Customer Drawing

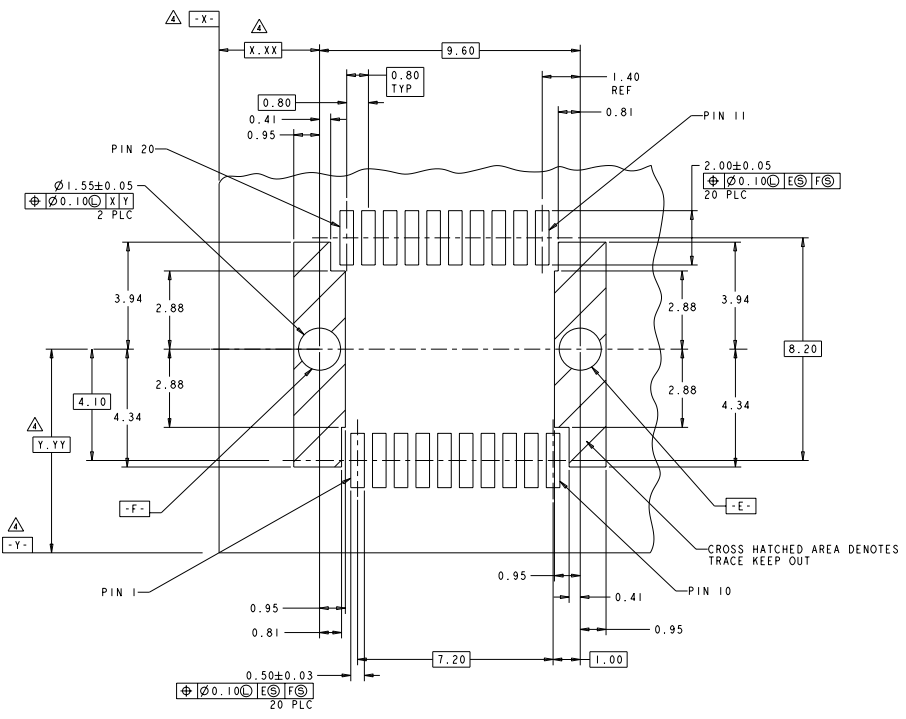
REV	DATE	DESCRIPTION	BY	CHK	APP
A	00	00779			

Customer Drawing

REV	ES	DATE	DESCRIPTION	BY	CHK	APP
00	ES		SEE SHEET 1			

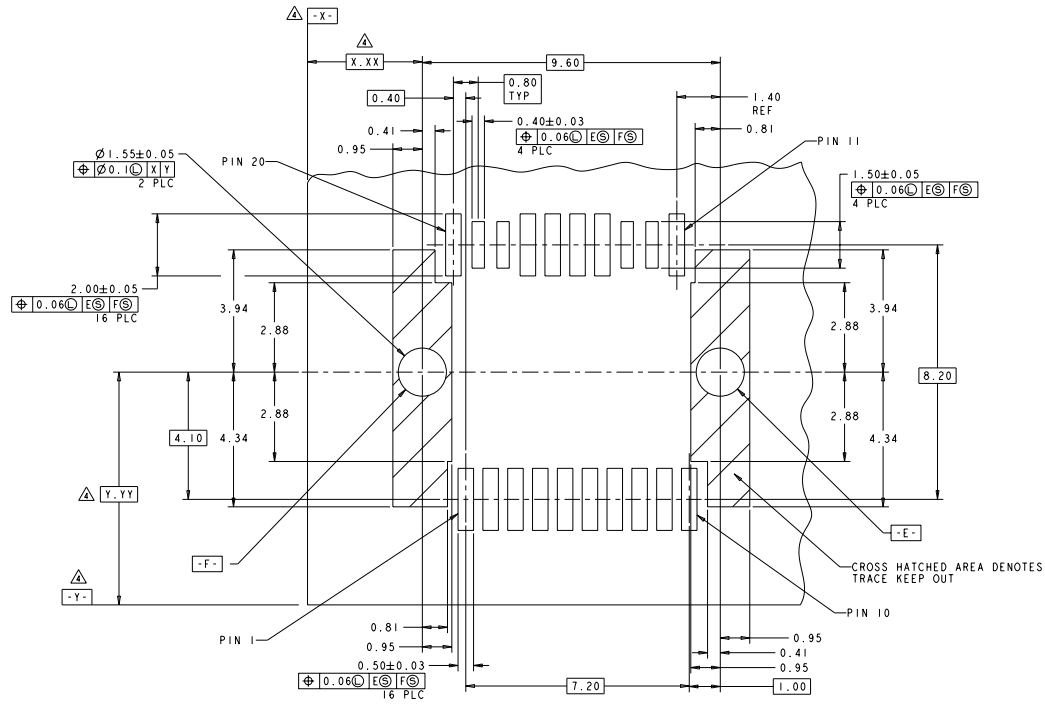


RECOMMENDED LAYOUT DETAIL
 MATING TRANSCEIVER PCB
 SCALE 10:1



REV	ES	DATE	DESCRIPTION	BY	CHK	APP
00	ES		SEE SHEET 1			

REV. NO.		REVISIONS	
DATE	DESCRIPTION	BY	CHK
ES	00	SEE SHEET 1	



OPTIONAL LAYOUT FOR IMPROVED SIGNAL INTEGRITY, MOUNTING SIDE
 SCALE 16:1

DATE: 08/11/2011 TIME: 10:00 AM DRAWING NO.: 100-1849 PROJECT NO.: 114-13617 REVISED: - CUSTOMER DRAWING: A		DESIGNED BY: - CHECKED BY: - APPROVED BY: - DATE: 08/11/2011 TIME: 10:00 AM DRAWING NO.: 100-1849 PROJECT NO.: 114-13617 REVISED: - CUSTOMER DRAWING: A		TECH ELECTRONICS CORPORATION Skaneateles, P.O. Box 200233 100-1849 114-13617 00779		TECH ELECTRONICS CORPORATION Skaneateles, P.O. Box 200233 100-1849 114-13617 00779	
--	--	---	--	--	--	--	--