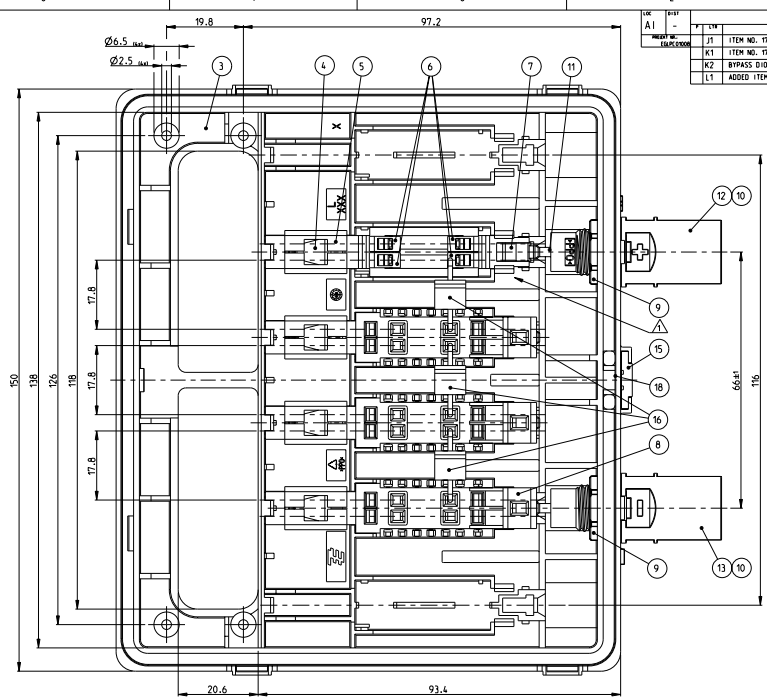
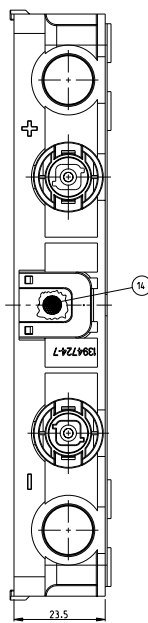
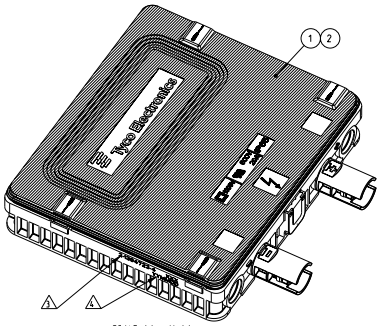


VIEW WITH ASSEMBLED COVER
ANSICHT MIT MONTIERTEM DECKEL



REV. NO.	DATE	DESCRIPTION	BY	CHK
1		ADDED ITEM 18	AL	JW
2		ADDED ITEM 10	AL	JW
3		ADDED ITEM 11	AL	JW
4		ADDED ITEM 12	AL	JW
5		ADDED ITEM 13	AL	JW
6		ADDED ITEM 14	AL	JW
7		ADDED ITEM 15	AL	JW
8		ADDED ITEM 16	AL	JW
9		ADDED ITEM 17	AL	JW
10		ADDED ITEM 18	AL	JW

- △ ITEM NO. 8 NOT SHOWN
- △ PART NUMBER
- △ PRODUCTION DATE
- △ SOLAR MODULE BOX COVER ITEM NO. 1 AND SEALING ITEM NO. 2 NOT SHOWN. COVER NOT ASSEMBLED WITH LOWER PART. ENCLOSE LOOSELY.

- △ POS. 8 NICHT DARGESTELLT
- △ TEILENUMMER
- △ FERTIGUNGSDATUM
- △ SOLAR MODUL BOX DECKEL POS. 1 AND DICHTUNG POS. 2 NICHT DARGESTELLT. DECKEL NICHT MIT UNTERTEIL MONTIERT. LOSE BEIGELEGT.

PACKAGING SEE 1394723-1
VERPACKUNG SIEHE 1394723-1

ITEM NO.	QTY	DESCRIPTION	MATERIAL	UNIT
18	1	ADHESIVE MEMBRANE VENTS	-	-
17	6	ADHESIVE SPLICING PAD DOUBLE SIDED	-	-
16	3	BYPASS DIODE TYPE 10000	-	-
15	1	COVER	BLACK	PPD
14	1	FILTER ELEMENT	BLACK	PPD
13	1	FRONT HOUSING W/INS COATING	BLACK	PPD
12	1	FRONT HOUSING W/INS COATING	BLACK	PPD
11	2	CONTACT PIN Ø2.5	AL	COP
10	2	CONTACT PIN Ø2.5	AL	COP
9	2	CONTACT PIN Ø2.5	AL	COP
8	4	COVER FOR CONTACT BAIL	BLACK	PP
7	4	SPRING LAMP	BLACK	PP
6	16	AMP SPRING CLAMP WITH ANTI OVERSTRESS	PLAIN	STAINLESS STEEL
5	4	CONTACT BAIL	RESILVER	STAINLESS STEEL
4	4	FRONT SPRING	PLAIN	STAINLESS STEEL
3	1	SOLAR MODULE BOX LOWER PART, 2 POS.	BLACK	PPD
2	1	SEALING RADIAL SEAL	BLACK	PP/EDDM
1	1	SOLAR MODULE BOX COVER	BLACK	PPD

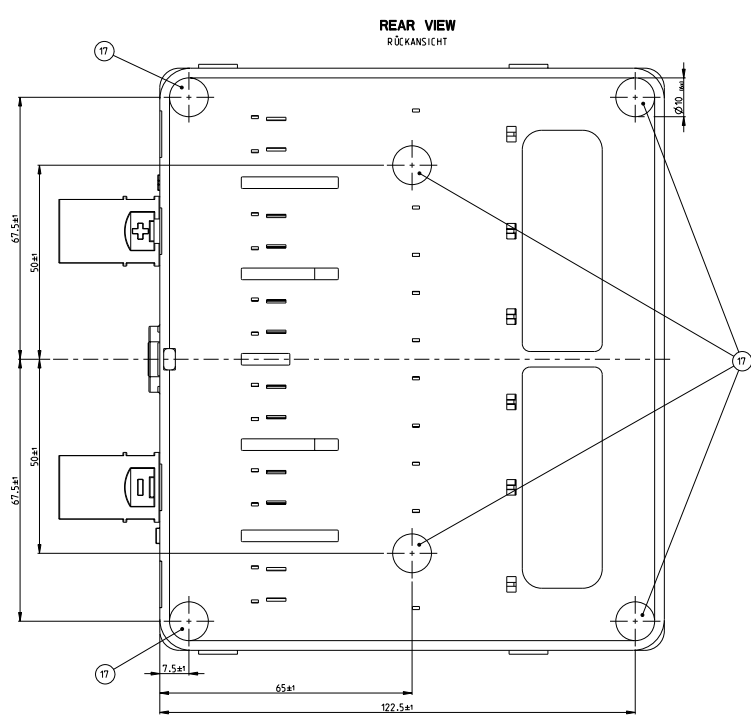
ORDER NO. 001719
 PART NO. 1394723-4
 CUSTOMER DRAWING

SOLARLOK MODULE BOX, ASSY
 SOLARLOK MODUL BOX, ASSY

DATE 10/10/06
 DRAWN BY 1394723-4
 CHECKED BY 1394723-4
 APPROVED BY 1394723-4

2-4 AS SHOWN
2-4 WIE GEZEICHNET

NO.	REV.	DESCRIPTION	DATE	BY	APP.
A1	-	SEE SHEET 1	-	-	-



2-4 AS SHOWN
2-4 WIE GEZEICHNET

TECHNISCHE DATEN NAME: SOLARLOK MODUL BOX, ASSY ART-NR.: 001719 PROJEKT-NR.: 2-1394/223-4 ZUSÄTZLICHE ANMERKUNGEN:		GEZEICHNET NAME: M. B. DATUM: 01.01.2011 GEPRÜFT NAME: M. B. DATUM: 01.01.2011		HERGESTELLT NAME: M. B. DATUM: 01.01.2011	
STÜCKLISTE NAME: SOLARLOK MODUL BOX, ASSY ART-NR.: 001719 PROJEKT-NR.: 2-1394/223-4		STÜCKLISTE NAME: SOLARLOK MODUL BOX, ASSY ART-NR.: 001719 PROJEKT-NR.: 2-1394/223-4		STÜCKLISTE NAME: SOLARLOK MODUL BOX, ASSY ART-NR.: 001719 PROJEKT-NR.: 2-1394/223-4	