

4

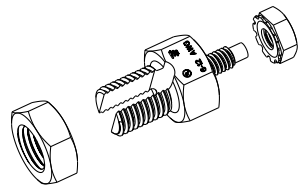
3

2

1

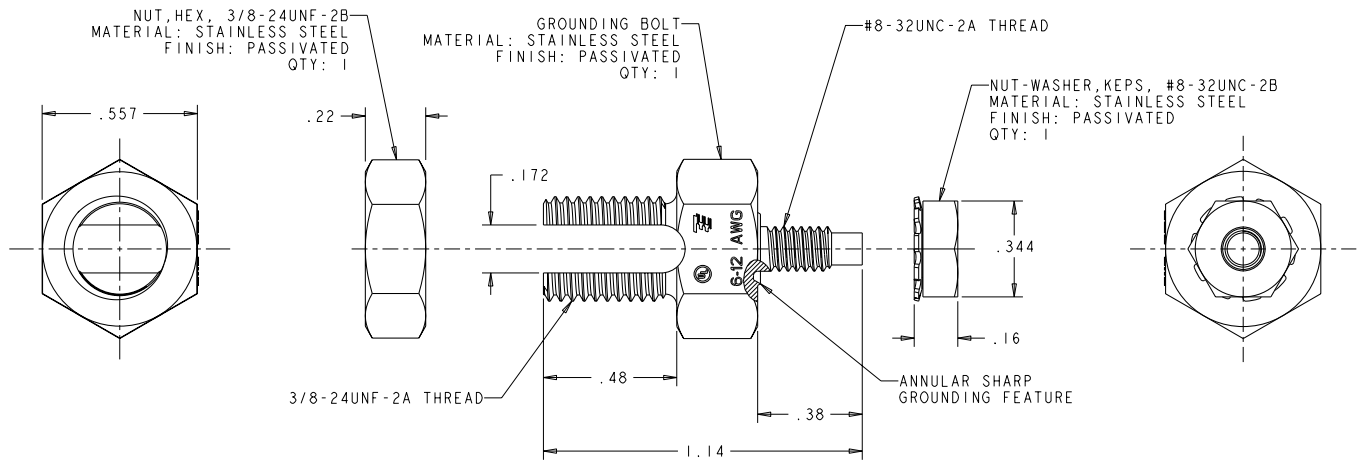
THIS DRAWING IS UNPUBLISHED. RELEASED FOR PUBLICATION. BY TYCO ELECTRONICS CORPORATION. ALL RIGHTS RESERVED.

REV	DATE	BY	APPROV
B	22MAR2010	SM	MS



SCALE 2:1

1. PARTS PACKAGED UNASSEMBLED.
  2. PARTS INDIVIDUALLY BULK PACKED & SHIPPED AS A UNIT PACKAGE.
  3. THIS PRODUCT HAS COMPLETED UL CERTIFICATION FOR GROUNDING AND BONDING EQUIPMENT (E69905).
- ⚠ INSTRUCTION SHEET 408-10262.



2058729-1  
PART NO

DIMENSIONS: INCHES 0 PLC ±.1 1 PLC ±.1 2 PLC ±.02 3 PLC ±.010 4 PLC ±. ANGLES ±. FINISH		D. I. STAH S. GOOD S. GHERARDINI 108-2380 114-13242 CUSTOMER DRAWING	05NOV2008 05NOV2008 05NOV2008 NAME WIRE GROUNDING ASSEMBLY 6-12 AWG, SOLID WIRE SHEET CASE CODE DRAWING NO A200779 ©-2058729 SCALE 4:1 SHEET 1 OF 1 REV B	Tyco Electronics Harrisburg, PA 17105-3608
---	--	---	---	---