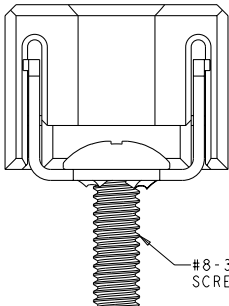
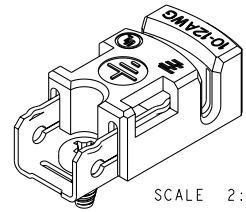
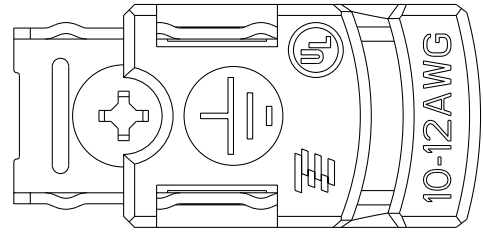


LOC	DISP	REV	DESCRIPTION	DATE	BY	APPV
FT	0					
		C1	REVISED PER ECO-09-007901	30MAR2009	SS	MS
		D	REVISED PER ECO-10-019115	20SEP2010	KT	MS
		D1	REVISED PER ECO-10-025527	29DEC2010	KT	JE
		D2	REVISED PER ECO-10-000946	13JAN2011	KT	JE

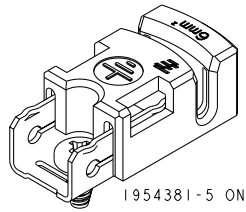


#8-32 PAN HEAD SCREW

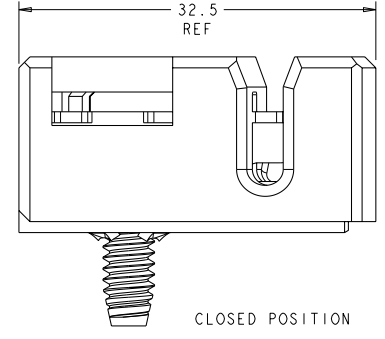
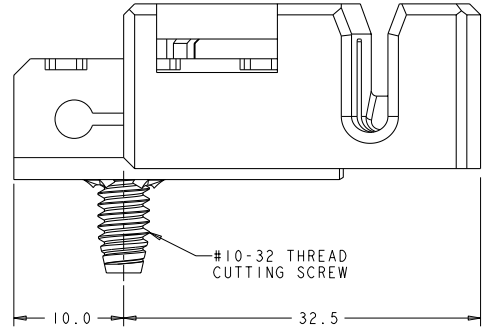
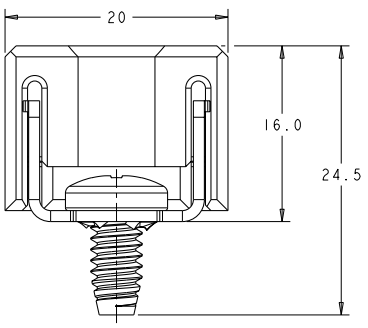
1954381-2 & -3



SCALE 2:1



1954381-5 ONLY



CLOSED POSITION

△ MATERIALS AND FINISH:
 SLIDER: PBT OR EQUIVALENT, UV FI RATING, BLACK, 94V5
 BASE: COPPER ALLOY; FINISH: Sn OVER Ni
 THREAD-CUTTING SCREW: STAINLESS STEEL

- 2. COMPLIES WITH DIRECTIVE 2002/95/EC (ROHS)
- 3. US PATENT NO: 7326069

- △ 8-32 NUT IS PACKAGED AS A SEPARATE COMPONENT OF PN 1954381-2.
- △ KEPS NUT WASHER IS PACKAGED AS A SEPARATE COMPONENT OF 1954381-3 AND 1954381-4
- △ FOR USE WITH EUROPEAN WIRE SIZES ONLY
- △ MAY BE USED WITH 4mm² WIRE ALSO

△	NONE	#10-32 THREAD CUTTING	6mm ²	1954381-5
△	NUT WASHER	#10-32 PAN HEAD .625LG	10-12 AWG	1954381-4
△	NUT WASHER	#8 PAN HEAD	10-12 AWG	1954381-3
△	#8-32	#8-32 PAN HEAD	10-12 AWG	1954381-2
	NONE	#10-32 THREAD CUTTING	10-12 AWG	1954381-1
	NUT	SCREW	WIRE SIZE	PART NUMBER
DIMENSIONS: mm 0 PLC ±1.0 1 PLC ±1.0 2 PLC ±0.10 3 PLC ±.1 4 PLC ±.1 ANGLES ±.1° MATERIAL /FINISH -		DATE: 31OCT2006 BY: MOHAN CHK: S. DUESTERHOEF APPV: M. STRECKEWALD DATE: 01JUN2007 NAME: M. STRECKEWALD PRODUCT SPEC: - APPLICATION SPEC: - WEIGHT: - CUSTOMER DRAWING: -		
TITLE: GROUNDING CLIP ASSEMBLY SOLID WIRE CASE CODE: A200779 DRAWING NO: 1954381 SCALE: 4:1 SHEET 1 OF 1 REV D2		Tyco Electronics Harrisburg, PA 17105-3608		