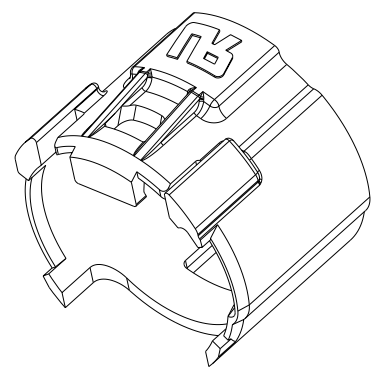
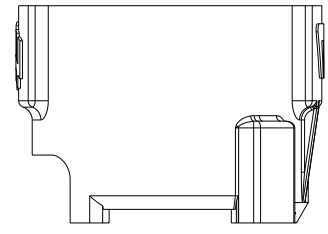
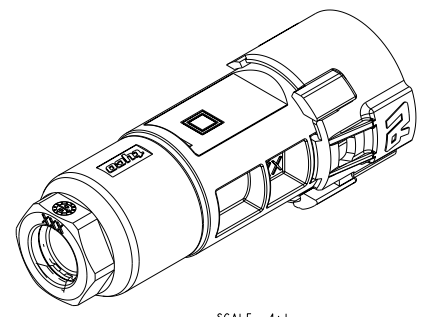
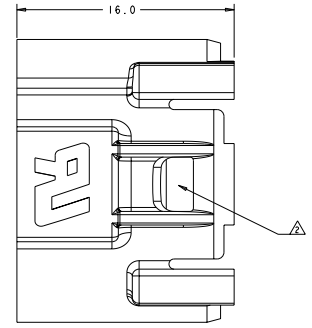
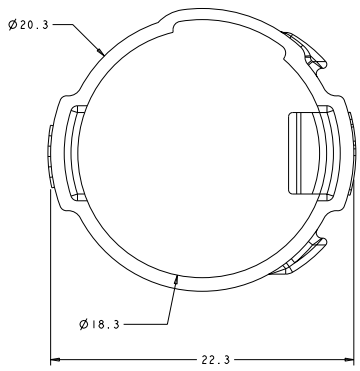


8 7 6 5 4 3 2 1
 ALL DIMENSIONS IN MILLIMETERS UNLESS OTHERWISE SPECIFIED
 ALL RIGHTS RESERVED

REV	DATE	DESCRIPTION	BY	CHK	APP
A	06/22/09	REVISED PER ECO-09-020590	2706PWH	SS	MS
B	01/19/16	REVISED PER ECO-10-019216	2706PWH	KT	JE
C	01/19/16	REVISED PER ECO-10-019216	2706PWH	KT	JE

1. MATERIAL: POLYCARBONATE, UL 94, UV PROTECTED, BLACK
 ⚠ FOR INSTALLATION AND EXTRACTION SOLARLOK CONNECTORS
 FLAT BLADE SCREWDRIVER TIP WIDTH MUST NOT EXCEED 3.75.



DATE: 06/22/09 TIME: 06:22:09 PROJECT: 06/22/09		Title Electronics Harrisburg, PA 17105-3600	
PART: SOLARLOK LOCKING COLLAR		STATE: PA CUSTOMER: 00779 ©=2106207	
SCALE: 4:1		SHEET: 1 OF 1	

APP: 000 REV: 0000000
 Proj: ENGINEER DRAWING