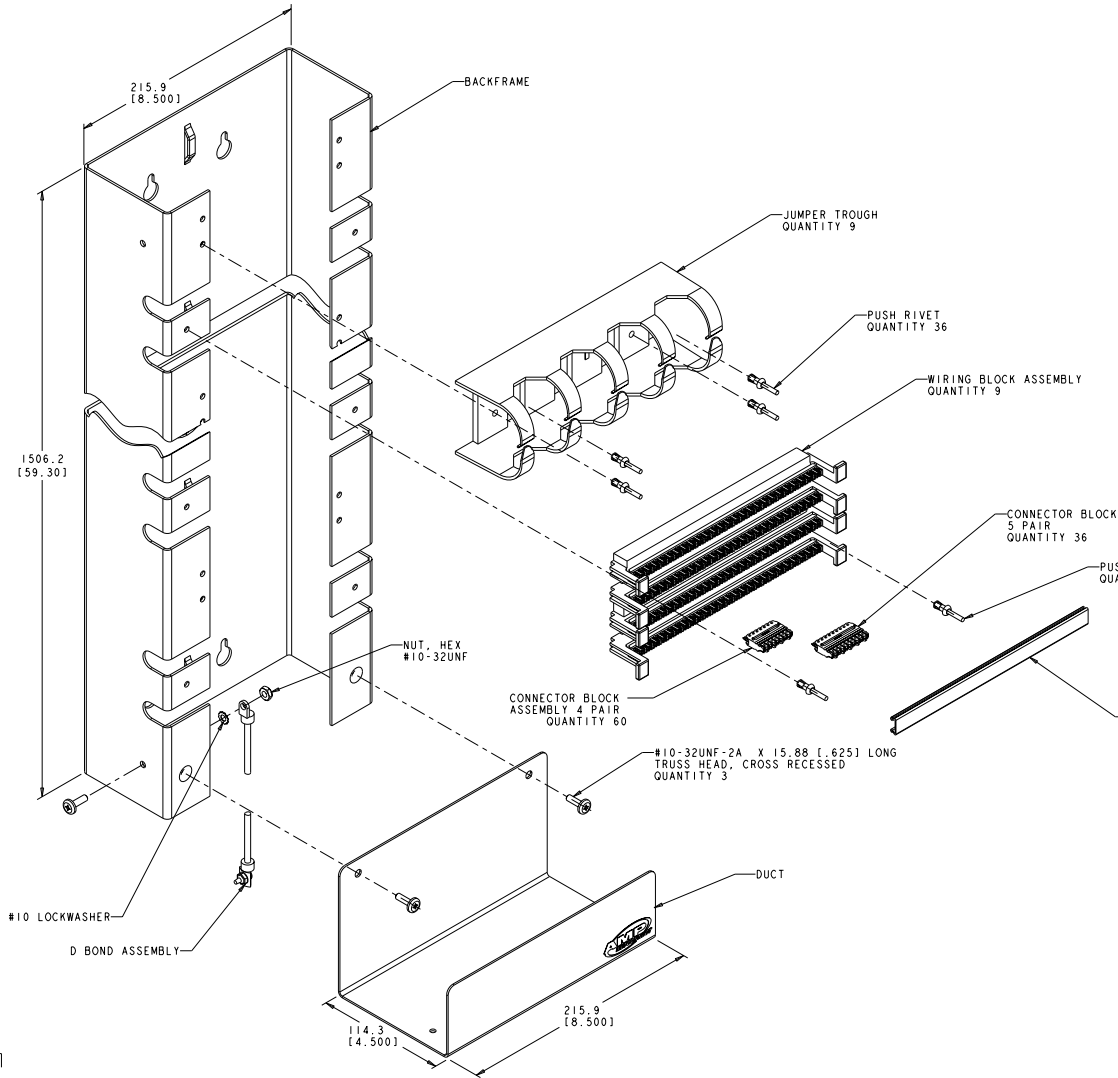


REV. NO.		REVISIONS	
REV. NO.	DATE	DESCRIPTION	BY
J	08/20/09	REV ECO-08-027332	LN SH
K	08/20/09	REV ECO-09-001027	LN SH



- △ MATERIAL -
 BACKFRAME AND DUCT - CARBON STEEL, LIGHT BEIGE.
 JUMPER TROUGH AND WIRING BLOCK ASSEMBLY -
 POLYCARBONATE MOLDING COMPOUND, IVORY.
 CONNECTOR BLOCK ASSEMBLY:
 HOUSING- POLYCARBONATE MOLDING COMPOUND, IVORY.
 TERMINALS- PHOSPHO BRONZE PLATED WITH 3.8µm
 [0.00150] MINIMUM THICK MATTE-TIN OVER 1.27µm
 [0.00050] MINIMUM THICK NICKEL UNDERPLATE.
 DESIGNATION STRIP - CLEAR PVC.
- 2. KIT SHIPPED NOT ASSEMBLED.
- △ DIMENSIONS ARE NOMINAL UNLESS OTHERWISE SPECIFIED.
- 4. LACING STRIPS MARKED BLACK EVERY FIFTH PAIR.

569857-1
PART NO.

DATE: 08/20/09	BY: LN	REV: SH	DATE: 08/20/09	BY: LN	REV: SH
110CONNECT XC 900 PR			FRAME KIT, 110CONNECT XC 900 PR, 4 & 5 PR CONN BLOCKS		
STATE: PA	CITY: HARRISBURG	ZIP: 17105-3600	PHONE: 717-631-1000	FAX: 717-631-1001	WWW: www.tech-electronics.com
REV: A	DATE: 08/20/09	BY: LN	REV: SH	DATE: 08/20/09	BY: LN