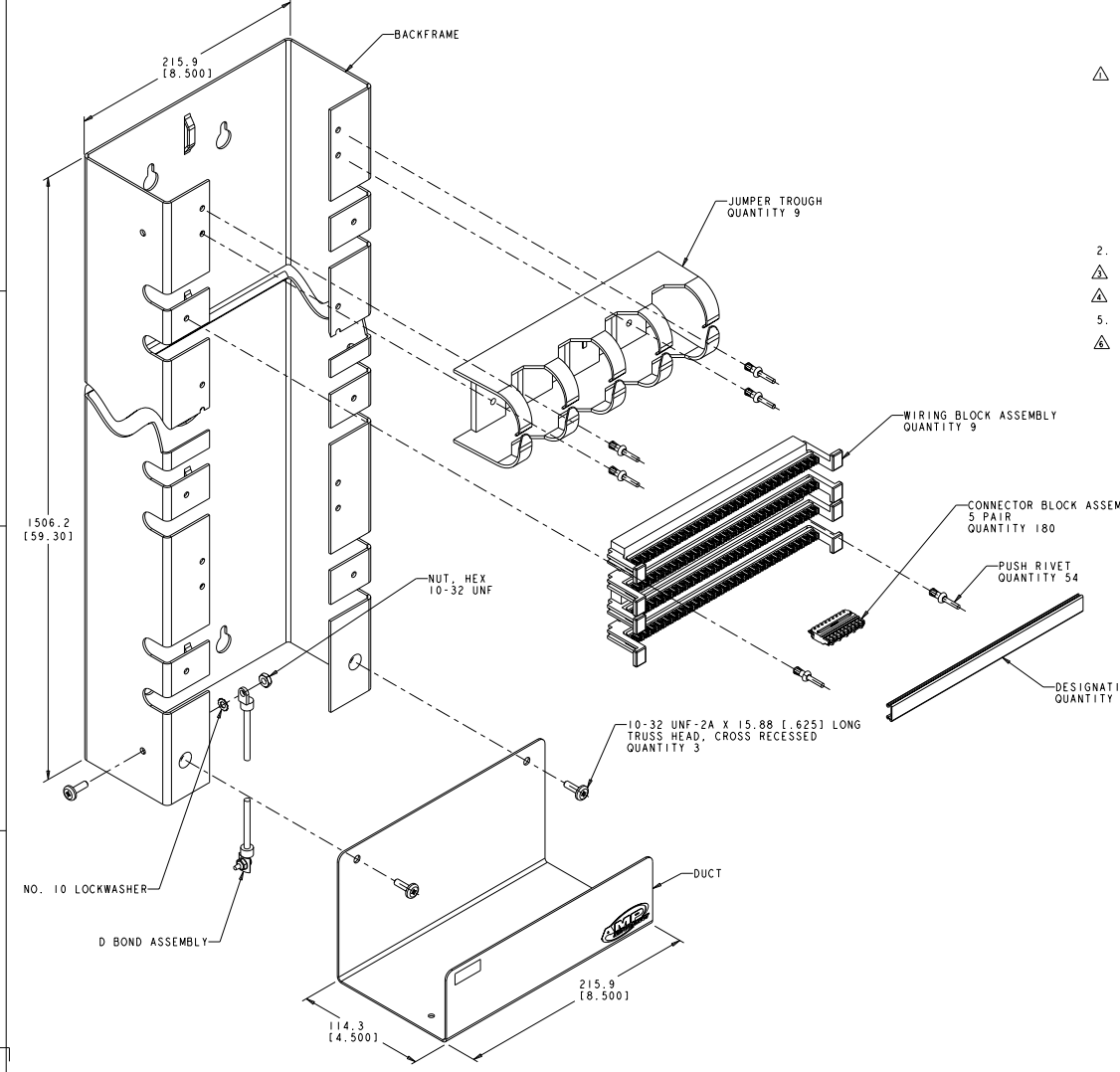


REV. NO.		REVISIONS	
REV.	DATE	DESCRIPTION	BY
D	ECO-06-006777	REDRAWN	JM SH
E	REV ECO-09-027232		JM SH
F	085-7, REV ECO-09-001027		JM SH



- MATERIAL:**
- BACKFRAME AND DUCT: CARBON STEEL, LIGHT ALMOND.
 - JUMPER TROUGH AND WIRING BLOCK ASSEMBLY: POLYCARBONATE MOLDING COMPOUND, IVORY.
 - CONNECTOR BLOCK ASSEMBLY: HOUSING- POLYCARBONATE MOLDING COMPOUND, IVORY. TERMINALS- PHOSPHER BRONZE PLATED WITH 3.81µm (.000150) MIN THICK MATTE-TIN OVER 1.27µm (.000050) MINIMUM THICK NICKEL UNDERPLATE.
 - DESIGNATION STRIP: CLEAR PVC.
- KIT SHIPPED NOT ASSEMBLED.
 - DIMENSIONS NOMINAL UNLESS OTHERWISE SPECIFIED.
 - SEE RESTRICTED CUSTOMER DRAWING 569858-2 (OBSOLETE).
 - LACING STRIPS MARKED BLACK EVERY FIFTH PAIR.
 - SEE RESTRICTED CUSTOMER DRAWING 3-569858-1.

OBSOLETE

DATE: 08/24/2018	BY: TECH ELECTRONICS CORPORATION	REV. NO.: 00	DESCRIPTION: FRAME KIT, 110CONNECT XC, 900 PR, 5 PR CONN BLOCKS
DATE: 08/24/2018	BY: TECH ELECTRONICS CORPORATION	REV. NO.: 00	DESCRIPTION: FRAME KIT, 110CONNECT XC, 900 PR, 5 PR CONN BLOCKS
DATE: 08/24/2018	BY: TECH ELECTRONICS CORPORATION	REV. NO.: 00	DESCRIPTION: FRAME KIT, 110CONNECT XC, 900 PR, 5 PR CONN BLOCKS
DATE: 08/24/2018	BY: TECH ELECTRONICS CORPORATION	REV. NO.: 00	DESCRIPTION: FRAME KIT, 110CONNECT XC, 900 PR, 5 PR CONN BLOCKS