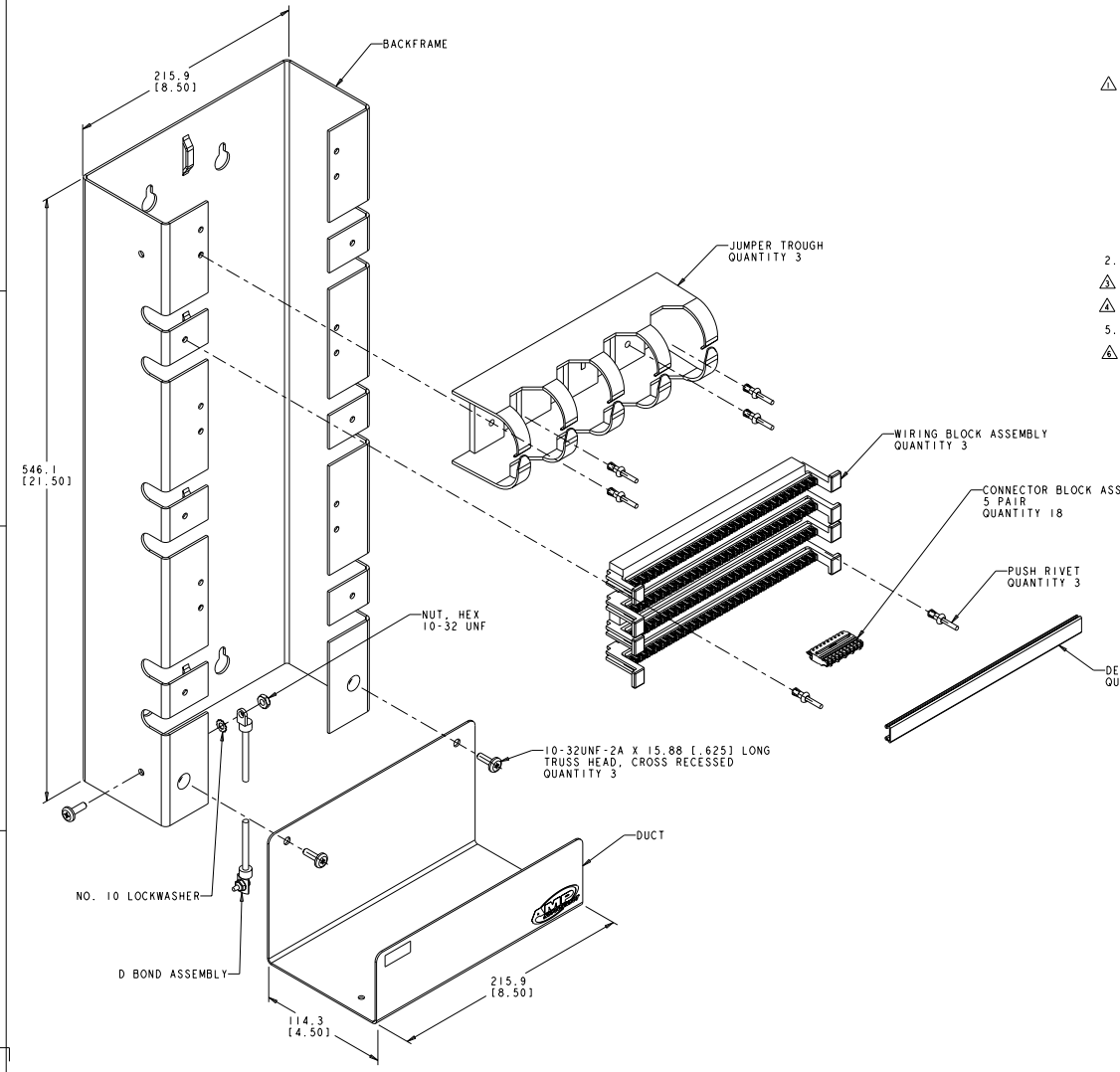


REV	DATE	DESCRIPTION	BY	CHK	APP
D	ECO-46-006777	REDRAWN	ZIMMERMAN	JM	SM
E	OBS-2, REV ECO-99-001027		ZIMMERMAN	LW	SM



- MATERIAL:**
- BACKFRAME AND DUCT: CARBON STEEL, LIGHT ALMOND.
 - JUMPER TROUGH AND WIRING BLOCK ASSEMBLY: POLYCARBONATE MOLDING COMPOUND, IVORY.
 - CONNECTOR BLOCK ASSEMBLY: HOUSING- POLYCARBONATE MOLDING COMPOUND, IVORY; TERMINALS- PHOSPHOR BRONZE PLATED WITH 3.81µm (.000150) MIN THICK MATTE-TIN OVER 1.27µm (.000050) MINIMUM THICK NICKEL UNDERPLATE
 - DESIGNATION STRIP: CLEAR PVC.
- KIT SHIPPED NOT ASSEMBLED.
- △ DIMENSIONS NOMINAL UNLESS OTHERWISE SPECIFIED.**
- △ SEE RESTRICTED CUSTOMER DRAWING 569855-2 (OBSOLETE).**
- △ LACING STRIPS MARKED BLACK EVERY FIFTH PAIR.**
- △ SEE RESTRICTED CUSTOMER DRAWING 3-569855-1.**

OBsolete

TITLE: FRAME KIT, 110CONNECT XC, 300 PR, 5 PR CONN BLOCKS PART NO. 569855-1		DATE: 00779 REV: 00779	DRAWN BY: JIM SMITH CHECKED BY: JIM SMITH
MATERIAL: CARBON STEEL, LIGHT ALMOND POLYCARBONATE MOLDING COMPOUND, IVORY	QUANTITY: 1 UNIT: KIT	STATE: PA COUNTY: BERKSHIRE	CITY: WARRINGTON, PA 17145-3600