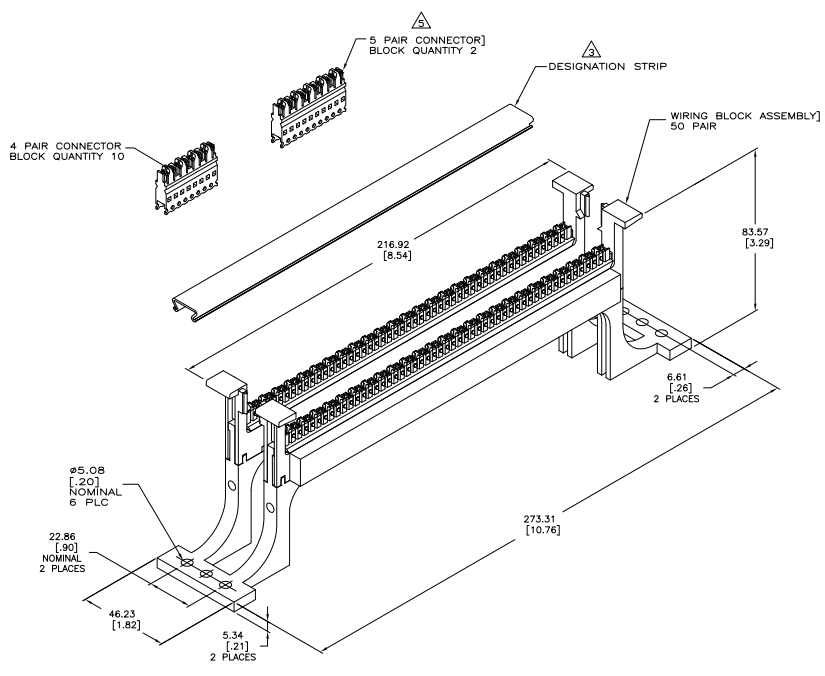


| REV | DESCRIPTION | DATE | BY | APP |
|-----|----------------------|----------|----|-----|
| A | REV. EC 0210-0510-96 | 09/02/96 | DS | DW |
| B | REV-ECD-06-006535 | 09/09/06 | LH | SH |
| C | REV-ECD-06-017000 | 07/24/06 | LH | SH |



- △ DIMENSIONS ARE MAXIMUM UNLESS OTHERWISE SPECIFIED.
- △ MATERIAL: WIRING BLOCK ASSEMBLY AND CONNECTOR BLOCK-- POLYCARBONATE MOLDING COMPOUND, FLAME RETARDANT, IVORY.
 DESIGNATION STRIP-- RIGID PVC, CLEAR.
 TERMINALS-- PHOSPHOR BRONZE PLATED WITH 3.81μ [0.00150] MINIMUM MINUTE-TIN OVER
 1.27μm [0.00050] MINIMUM NICKEL UNDERPLATE.
- △ WHITE, DESIGNATION STRIP LABEL NOT SHOWN.
- 4. PACKAGE ONE KIT PER POLYBAG.
- △ THE ODD CONNECTING BLOCK IS TYPICALLY LOCATED ON THE RIGHT END.
- 6. LACING STRIPS MARKED BLACK EVERY FIFTH PAIR.

| | | | | |
|--|-------------|--|----------------|----------|
| THIS DRAWING IS A CONTROLLED DOCUMENT. | | DATE: 11-20-03 | REV: 11-20-03 | 569433-1 |
| DRAWN BY: [Signature] | | DESIGNED BY: [Signature] | DATE: 11-20-03 | PART NO. |
| CHECKED BY: [Signature] | | DATE: 11-20-03 | DATE: 11-20-03 | |
| APPROVED BY: [Signature] | | DATE: 11-20-03 | DATE: 11-20-03 | |
| TITLE: 110 CROSS CONNECT KIT, 50 PAIR, WITH LEGS, 4 & 5 PAIR CONNECTOR BLOCK | | TYS Electronics Corporation Harrisburg, Pa 17105-3608 | | |
| SIZE: A1 | DATE: 00779 | DRAWING NO: G=569433 | REVISED TO: | |
| CUSTOMER DRAWING | SCALE: 1:1 | SHEET: 1 | OF: 1 | |