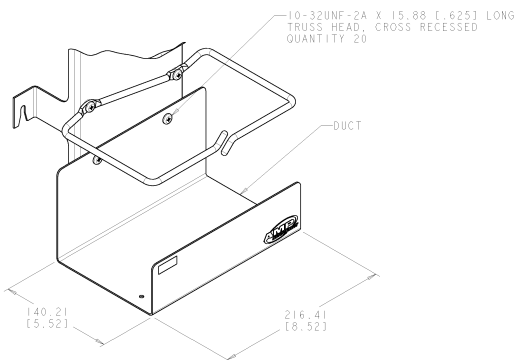
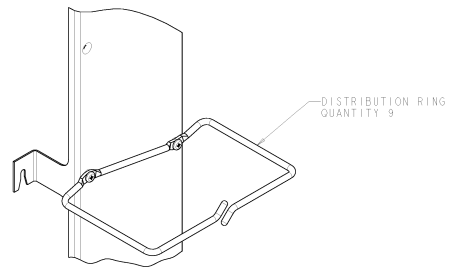
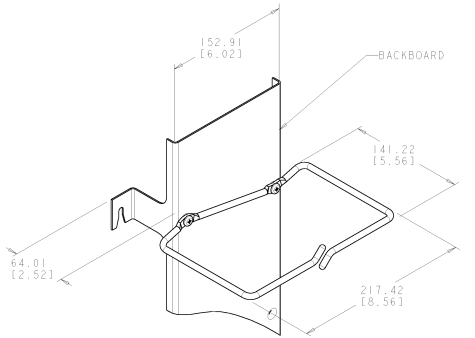


8	7	6	5	4	3	2	1
DATE MANUFACTURED	REVISIONS FOR PART NUMBER						
00	00						

REV		REV		REV		REV		REV	
NO	DATE	BY	CHK	NO	DATE	BY	CHK	NO	DATE
C		REDMAN/REV	EC	0840-0801-03		ENHREDA	LRS	SR	
D		REV	EC	0840-0181-03		ENHREDA	GG	SR	



- ⚠ MATERIAL: BACKBOARD AND DUCT- CARBON STEEL, .062 THICK. DISTRIBUTION RING - ALUMINUM ALLOY, Ø.025, BLACK
- ⚠ DIMENSIONS ARE MAXIMUM UNLESS OTHERWISE SPECIFIED. OVERALL HEIGHT 1558.04 (61.34) MAXIMUM.
- ⚠ FINISH: LT ALMOND.
- ⚠ FINISH: BLACK

⚠	BLACK	569852-3
⚠	LT. ALMOND	569852-1
	DESCRIPTION	PART NUMBER

DATE MANUFACTURED: 08/01/03 REVISIONS FOR PART NUMBER: 00		TYCO Tyco Electronics Harrisburg, PA 17105-0000	
PART NUMBER: 569852-3 REV: 00 DATE: 08/01/03 BY: ENHREDA CHK: LRS		TITLE: VERT MGT BACKBOARD ASSY, 110 XCONN, 900 PAIR MATERIAL: STEEL FINISH: LT ALMOND QUANTITY: 1	
MATERIAL: STEEL FINISH: LT ALMOND		CUSTOMER DRAWING: A 001779 (C)-569852 DATE: 08/01/03	

DATE MANUFACTURED: 08/01/03
REVISIONS FOR PART NUMBER: 00