

4

3

2

1

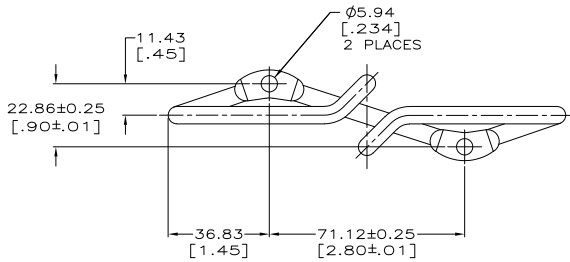
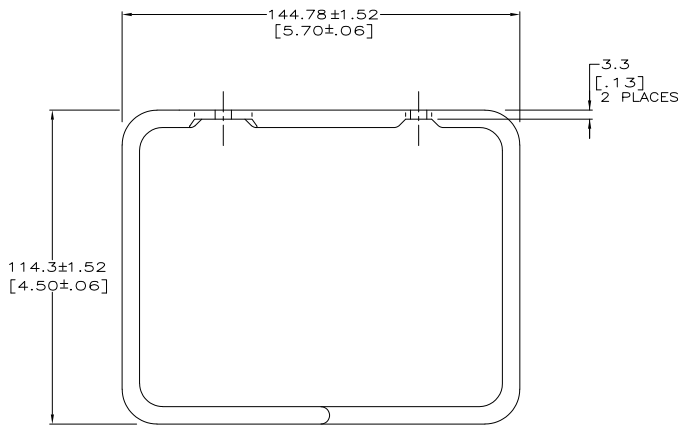
THIS DRAWING IS UNPUBLISHED. RELEASED FOR PUBLICATION  
 BY TYCO ELECTRONICS CORPORATION. ALL RIGHTS RESERVED.

LOC	DIST	REVISIONS			
F	LW	DESCRIPTION	DATE	BY	APPD
D		REDWN/REV-EC OB40-0195-04	17AUG04	LH	SH
E		OBS 21, 31 REV-EC OB40-0205-04	20DEC04	LH	SH
F		REV ECO-08-009296	14APR08	LH	SH
G		REV ECO-10-003221	17MAY2010	LH	SH

△ MATERIAL: STEEL,  $\phi 6.35$  [.25], BLACK FINISH.

△ PACKAGED 1 PER POLY BAG.

△ SEE RESTRICTED CUSTOMER DRAWING 3-569431-1.



SUPSD BY 569431-1

OBSELETE

569431-2
569431-1
PART NO.

THIS DRAWING IS A CONTROLLED DOCUMENT.		DN L. HALL	17AUG2004	Tyco Electronics Corporation Harrisburg, Pa 17105-3608
DIMENSIONS: mm [INCHES]		CHK S. HERNDON	17AUG2004	
TOLERANCES UNLESS OTHERWISE SPECIFIED:		APPD S. HERNDON	17AUG2004	NAME
0 PLC	±	PRODUCT SPEC		DISTRIBUTION RING, LARGE, 110 CROSS CONNECT
1 PLC	±	APPLICATION SPEC		
2 PLC	± 0.01[.001]	SIZE		
3 PLC	± 0.13[.005]	CAGE CODE		
4 PLC	±	DRAWING NO.		RESTRICTED TO
MATERIAL		WEIGHT		A2 00779 C-569431
FINISH		CUSTOMER DRAWING		SCALE 1:1 SHEET 1 OF 1 REV G

AMP 1471-9 REV 31MMR2000

569431

A