

4

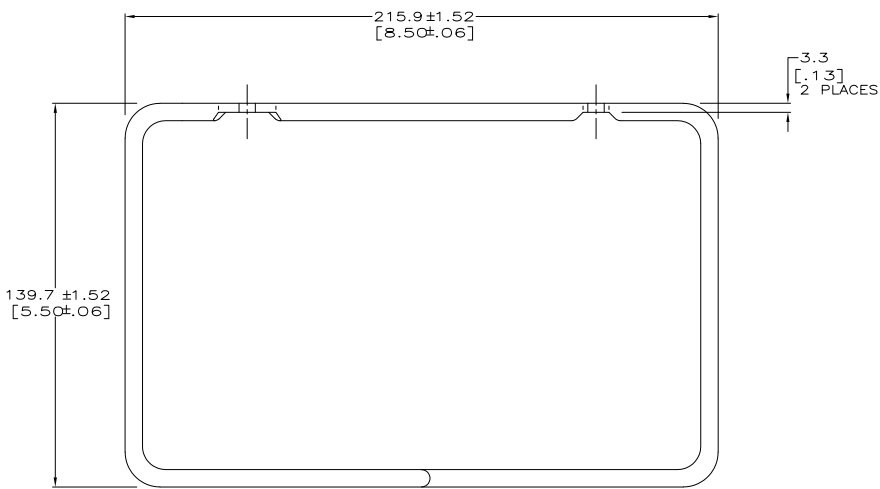
3

2

1

THIS DRAWING IS UNPUBLISHED. RELEASED FOR PUBLICATION .14MAR01
 © COPYRIGHT BY TYCO ELECTRONICS CORPORATION. ALL RIGHTS RESERVED.

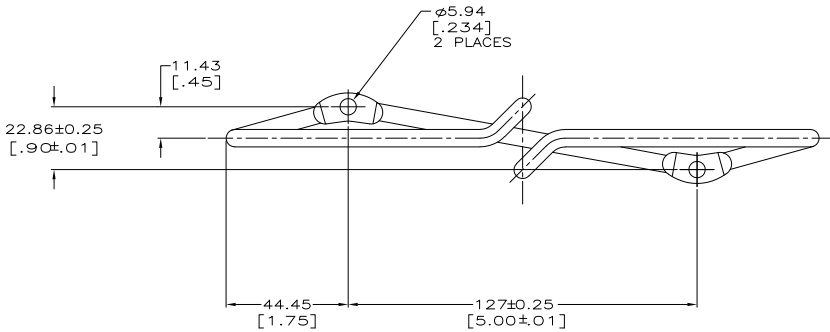
LOC	DIST	REVISIONS			
F	LN	DESCRIPTION	DATE	BY	APP
H		REV ECO-08-009296	14APR08	LH	SH



△ MATERIAL: STEEL, $\phi 6.35$ [.25], BLACK FINISH.

△ PACKAGED 1 PER POLY BAG.

△ SEE RESTRICTED CUSTOMER DRAWING 3-569599-1.



OBSOLETE	△
OBSOLETE	△
569599-2	
569599-1	△
PART NO.	

THIS DRAWING IS A CONTROLLED DOCUMENT.		DRN	L. HALL	12MAR01	Tyco Electronics Corporation Winston-Salem, NC 27102	
DIMENSIONS: MM(INCHES)		CHK	B. TRIPPE	14MAR01	NAME	
TOLERANCES UNLESS OTHERWISE SPECIFIED:		APRO	B. TRIPPE	14MAR01	DISTRIBUTION RING, LARGE, 110 CROSS CONNECT	
0. PLC	± .-	PRODUCT SPEC			SIZE	CAGE CODE
1. PLC	± .-	APPLICATION SPEC			A2	00779
2. PLC	± 0.51[02]	WEIGHT			C=	569599
3. PLC	± 0.13[008]	CUSTOMER DRAWING			SCALE	1:1
4. PLC	± .-				SHEET	1 OF 1
ANGLES	± .-				REV	H
MATERIAL	△					
FINISH	△					

AMP 1471-9 REV 31MAR2000

569599

A