

4

3

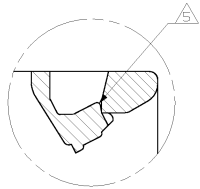
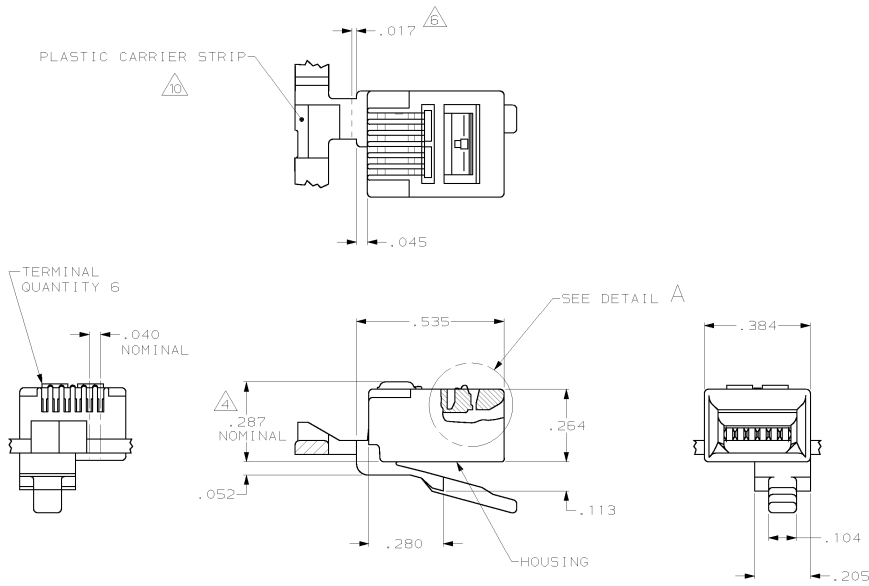
2

1

THIS DRAWING IS UNPUBLISHED. RELEASED FOR PUBLICATION
 (C) COPYRIGHT IS BY AMP INCORPORATED. ALL RIGHTS RESERVED.

LOC	QTY	REV	DESCRIPTION	DATE	BY	APP'D
AA	22	F	NEW			
		E	REVISED; EC 001C-0159-00	17-AUG-08	DLD	CHB

- ALL DIMENSIONS SHOWN ARE MAXIMUM UNLESS OTHERWISE SPECIFIED.
- MATERIAL: HOUSING - POLYCARBONATE CLEAR. TERMINAL - .014 THICK PHOSPHOR BRONZE PLATED WITH .00005 THICK GOLD IN LOCALIZED GOLD PLATE AREA, GOLD FLASH OVER THE REMAINDER OVER .000100 THICK NICKEL UNDERPLATE.
- PLUG WILL ACCEPT 26 OR 28 AWG STRANDED WIRE WITH A .030-.039 CONDUCTOR DIAMETER WITH A MAXIMUM ROUND CABLE JACKET DIAMETER OF .180.
- TERMINATED DIMENSION; .242 MAXIMUM.
- LATCH SHALL BE IN POSITION SHOWN IN DETAIL 'A' AFTER CRIMPING.
- CUTOFF DIMENSION FOR LOOSE PIECE PARTS ONLY.
- 100 PIECES PER BOX, 10 BOXES PER CARTON.
- 25 PIECES PER BAG, 40 BAGS PER CARTON.
- MOD PLUG IS CUTOFF FROM THE PLASTIC CARRIER STRIP BY THE FACTORY WHEN LOOSE PIECE PART NUMBERS ARE ORDERED.



△	LOOSE PIECE	5-555238-3
△	LOOSE PIECE	5-555238-2
△	REELED ON STRIP	555238-1
△	PACKAGE	DESCRIPTION PART NUMBER

THIS DRAWING IS A CONTROLLED DOCUMENT.		DATE: 12-APR-00	BY: DRUMMOND	AMP Incorporated Harrisburg, PA 17105-3608
DIMENSIONS IN INCHES		DATE: 12-APR-00	BY: DRUMMOND	AMP MODULAR PLUG ASSEMBLY, 6 POSITION, SIDE LATCH, ROUNDED CABLE, 26 AND 28 AWG
0 PLC ±.01 1 PLC ±.02 2 PLC ±.03 3 PLC ±.04 4 PLC ±.05 5 PLC ±.06 6 PLC ±.07 7 PLC ±.08 8 PLC ±.09 9 PLC ±.10		PART NUMBER: 555238 PRODUCT SPEC: 108-1163 APPLICATION SPEC: 114-6016 WEIGHT: -	TITLE: CUSTOMER DRAWING SCALE: 4:1 SHEET: 1 OF 1 REV: E	

555238