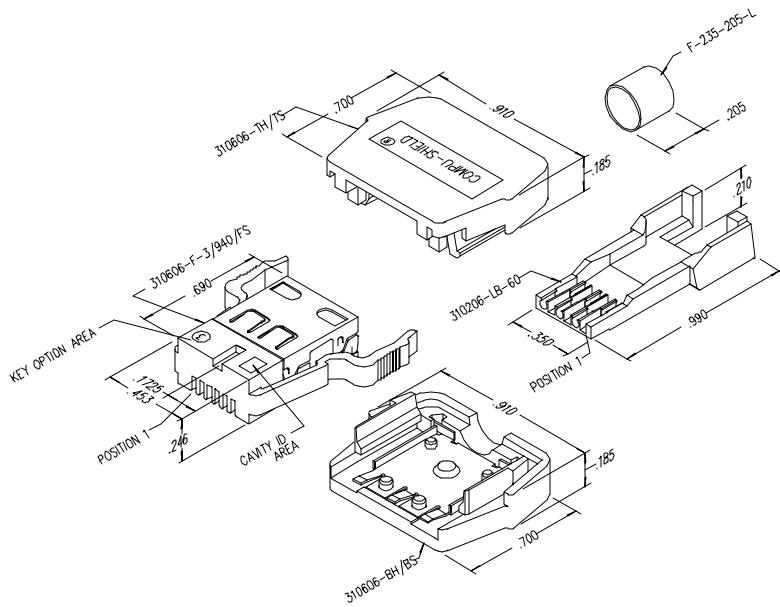


DATE	REV	ECN	APP'D. BY
4-6-95	B1	-	-
6-1-05	B2	7151	TRM
11-11-05	B3	7375	TRM
1-16-06	B4	7436	JM
2-22-06	B5	7515	JM

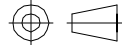


**NOTES:**

1. PLUG MATERIALS:  
TOP/BOTTOM HOUSING: PC UL94 V-0 COLOR: BLACK  
FRONT PLASTIC: PC UL94 V-0 COLOR: ORANGE  
LOAD BAR: PC UL94 V-0 COLOR: CLEAR  
CONTACTS/SHIELD: COPPER ALLOY  
SHIELD/FERRULE PLATING: TIN  
CONTACT PLATING: SELECTIVE GOLD IN CONTACT AREA  
SEE CHART FOR PART NUMBER
2. CONTACTS TERMINATE SOLID OR STRANDED CONDUCTORS  
UP TO .024" OUTSIDE DIAMETER ON POSITION #1 & #6 CONDUCTORS,  
UP TO .021" OUTSIDE DIAMETER ON POSITION #2 & #5 CONDUCTORS,  
AND UP TO .042" OUTSIDE DIAMETER ON POSITION #3 & #4 CONDUCTORS.
3. TOLERANCES COMPLY WITH F.C.C. DIMENSION REQUIREMENTS.
4. HOUSING WILL ACCEPT CABLE UP TO .220" OUTSIDE DIAMETER OF JACKET
5. FOR PRODUCT SPECIFICATIONS SEE PRO26-01
6. TERMINATED PLUG HEIGHT .234±.002

50 MICRO-INCHES [1.27um]	SS-310606-3-60
CONTACT PLATING IN MATING AREA	PART NUMBER

THIRD ANGLE PROJECTION



DO NOT SCALE DRAWING  
DRAWING IS SUBJECT TO  
CHANGE WITHOUT NOTICE.  
DIMENSIONS: INCHES [METRIC]  
UNLESS OTHERWISE SPECIFIED  
TOLERANCES ARE ±.005 [0.13]  
ANGLES ARE ± 1°

SHEET NO. 1 OF 1



## Bel Stewart Connector

11118 Susquehanna Trail South  
Glen Rock, PA 17327-9199  
(717) 235-7512 Fax: (717) 235-7954 <http://www.stewartconnector.com>

TITLE: COMPU-SHIELD PLUG

DRN BY:	TRM	DATE:	6-1-05
APP'D BY:	RCC	DATE:	6-1-05
DWG NO.:	CT310014	REV.:	B5

AutoCAD