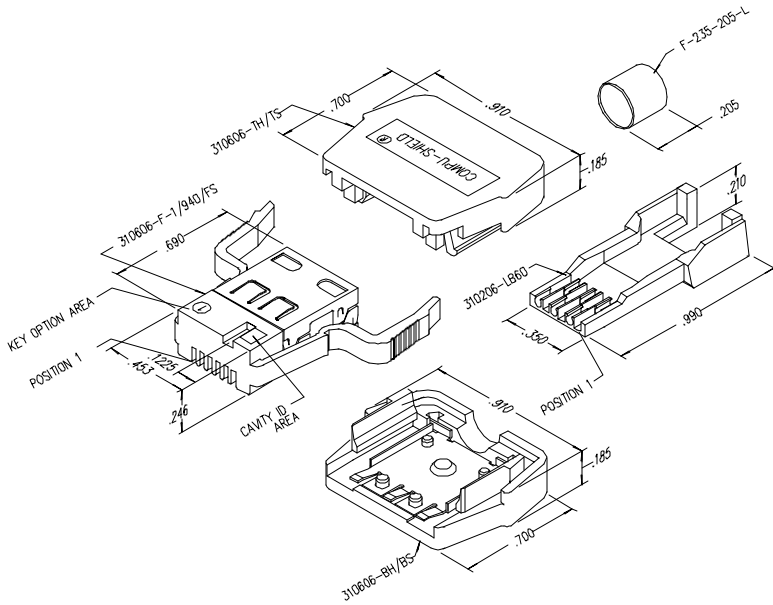


DATE	REV	EON	APP'D. BY
1/31/06	B1	7461	JM
2-22-06	B2	7515	JM

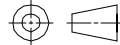


NOTES:

- PLUG MATERIALS:
TOP/BOTTOM HOUSING: PC UL94 V-0 COLOR: BLACK
FRONT PLASTIC: PC UL94 V-0 COLOR: BLUE
LOAD BAR: THERMOPLASTIC UL94 V-0 COLOR: CLEAR
CONTACTS/SHIELD: COPPER ALLOY
SHIELD/FERRULE PLATING: TIN
CONTACT PLATING: SELECTIVE GOLD IN CONTACT AREA
SEE CHART FOR PART NUMBER
- CONTACTS TERMINATE SOLID OR STRANDED CONDUCTORS
UP TO .064" OUTSIDE DIAMETER ON POSITION #1 & #6 CONDUCTORS,
UP TO .021" OUTSIDE DIAMETER ON POSITION #2 & #5 CONDUCTORS,
AND UP TO .042" OUTSIDE DIAMETER ON POSITION #3 & #4 CONDUCTORS
- TOLERANCES COMPLY WITH F.C.C. DIMENSION REQUIREMENTS.
- HOUSING WILL ACCEPT CABLE UP TO .220" OUTSIDE DIAMETER OF JACKET
- FOR PRODUCT SPECIFICATIONS SEE PRO26-01
- TERMINATED PLUG HEIGHT: 2344.002

50 MICRO-INCHES [1.27um]	SS-310606-1-60
CONTACT PLATING IN MATING AREA	PART NUMBER

THIRD ANGLE PROJECTION



DO NOT SCALE DRAWING
DRAWING IS SUBJECT TO
CHANGE WITHOUT NOTICE.
DIMENSIONS: INCHES [METRIC]
UNLESS OTHERWISE SPECIFIED
TOLERANCES ARE ±.005 [0.13]
ANGLES ARE ± 1°

SHEET NO. 1 OF 1



Bel Stewart Connector

11118 Susquehanna Trail South
Glen Rock, PA 17327-9199
(717) 235-7512 Fax: (717) 235-7954 <http://www.stewartconnector.com>

TITLE: 6X6 COMPU-SHIELD PLUG FINAL ASSEMBLY

DRN BY:	TRM	DATE:	5-15-01
APP'D BY:	TRM	DATE:	5-15-01
DWG NO.:	CT310029	REV.:	B2

AutoCAD

REV. 6/15/05