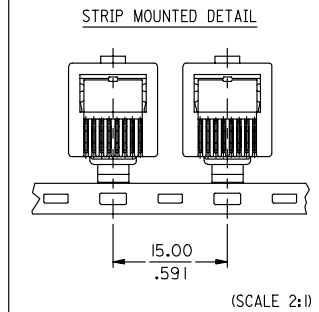
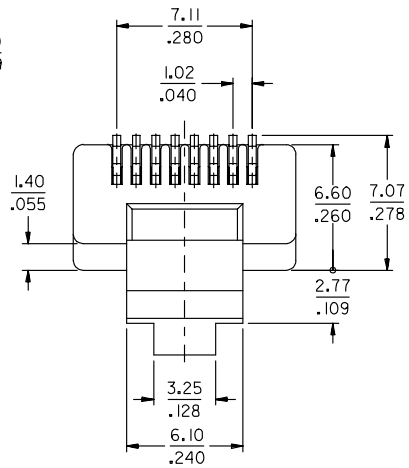
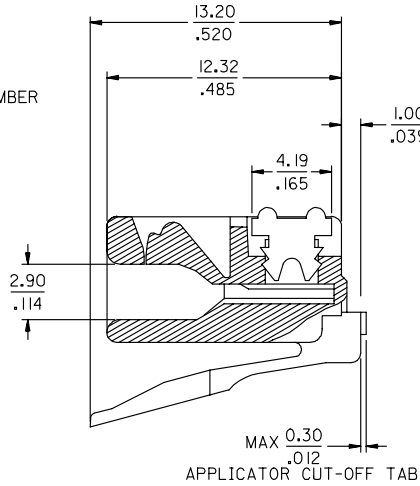
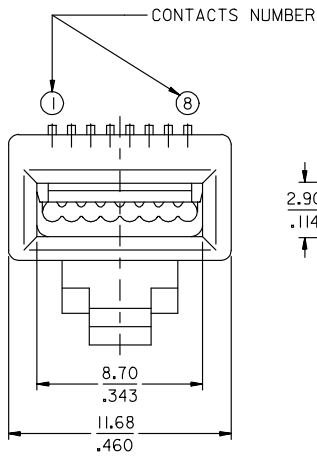


10 9 8 7 6 5 4 3 2 1



NOTES:

- 1- MATERIAL:
HOUSING: POLYCARBONATE CLEAR.
TERMINAL: (0.38)/.015 THICK PHOSPHOR BRONZE.
PLATING: (1.27)/0.050 MIN. GOLD IN CONTACT AREA
(0.00127)/.000050 MIN. PURE TIN IN PIERCE AREA BOTH
OVER (0.00127)/.000050 MIN. NICKEL.
- 2- PRODUCT INTENDED TO TERMINATE FLAT OVAL CABLE
CONFORMING TO REA BULLETIN 345-80-PE 75 HAVING
(0.94)/.037 Ø MAXI OVER CONDUCTORS INSULATION.
- 3- PRODUCT SPECIFICATION: PS-90075
- 4- APPLICATION SPECIFICATION: AS-90075.

CKTS	NUMBER OF LOADED CONTACTS	STRIP MOUNTED		LOOSE PIECE	
		PART NUMBER	TOOLED	PART NUMBER	TOOLED
8	8	90075-0139	YES	90075-0141	YES

2	N
1	NI

EC NO: MG2005-0418 DRWN: MARTIN 2005/06/16 CHKD: CARABETTA 2005/06/16 APPR: KNOLLER 2005/06/16 N1 REV	QUALITY SYMBOLS	GENERAL TOLERANCES (UNLESS SPECIFIED)	DIMENSION STYLE MM/IN	SCALE 5:1	DESIGN UNITS METRIC	THIRD ANGLE PROJECTION
	▽=0 ▽=0	4 PLACES ± --- ± --- 3 PLACES ± --- ± .010 2 PLACES ± 0.25 ± .014 1 PLACE ± 0.35 ± --- ANGULAR ± 2 °	DRAWN BY FB CHECKED BY TB APPROVED BY JB	DATE	TITLE	8 POSITIONS MODULAR PLUG W.E. TYPE
	DRAFT WHERE APPLICABLE MUST REMAIN WITHIN DIMENSIONS	SEE CHART	MATERIAL NO.	DOCUMENT NO.	MOLEX INCORPORATED	
			SIZE A3	THIS DRAWING CONTAINS INFORMATION THAT IS PROPRIETARY TO MOLEX INCORPORATED AND SHOULD NOT BE USED WITHOUT WRITTEN PERMISSION		

9 8 7 6 5 4 3 2 1