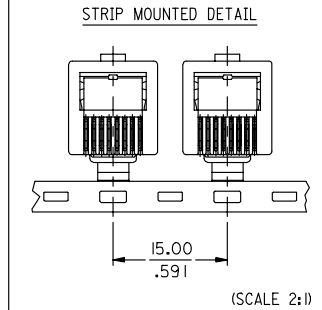
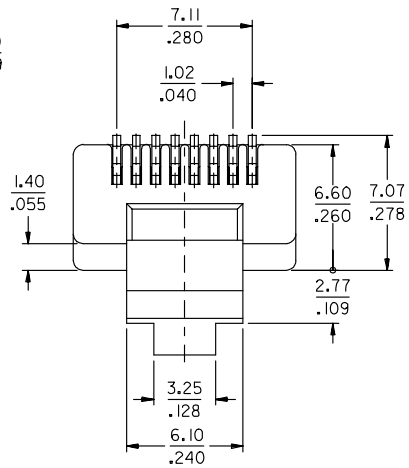
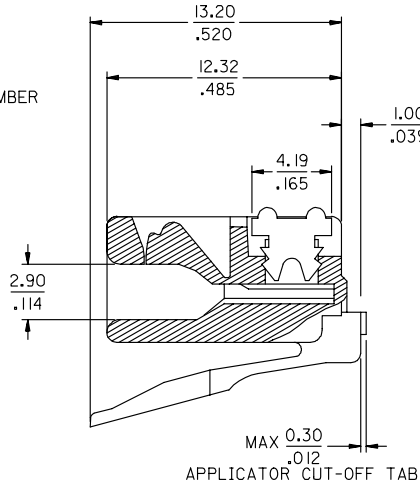
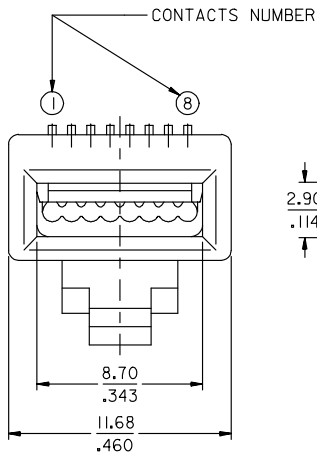


10 9 8 7 6 5 4 3 2 1



**NOTES:**

- 1- MATERIAL:  
HOUSING: POLYCARBONATE CLEAR.  
TERMINAL: (0.38)/.015 THICK PHOSPHOR BRONZE.  
PLATING: (1.27)/0.050 MIN. GOLD IN CONTACT AREA  
(0.00127)/.000050 MIN. PURE TIN IN PIERCE AREA BOTH  
OVER (0.00127)/.000050 MIN. NICKEL.
- 2- PRODUCT INTENDED TO TERMINATE FLAT OVAL CABLE  
CONFORMING TO REA BULLETIN 345-80-PE 75 HAVING  
(0.94)/.037 Ø MAXI OVER CONDUCTORS INSULATION.
- 3- PRODUCT SPECIFICATION: PS-90075
- 4- APPLICATION SPECIFICATION: AS-90075.

CKTS	NUMBER OF LOADED CONTACTS	STRIP MOUNTED		LOOSE PIECE	
		PART NUMBER	TOOLED	PART NUMBER	TOOLED
8	8	90075-0139	YES	90075-0141	YES

2	N
1	NI

EC NO: MG2005-0418 DRWN: MARTIN 2005/06/16 CHKD: CARABETTA 2005/06/16 APPR: KNOLLER 2005/06/16 N1	QUALITY SYMBOLS ▽=0 ▽=0	GENERAL TOLERANCES (UNLESS SPECIFIED) mm INCH 4 PLACES ± --- ± --- 3 PLACES ± --- ± .010 2 PLACES ± 0.25 ± .014 1 PLACE ± 0.35 ± --- ANGULAR ± 2 °	DIMENSION STYLE MM/IN DRAWN BY FB CHECKED BY TB APPROVED BY JB	SCALE 5:1 DESIGN UNITS METRIC THIRD ANGLE PROJECTION	TITLE 8 POSITIONS MODULAR PLUG W.E. TYPE
	DRAFT WHERE APPLICABLE MUST REMAIN WITHIN DIMENSIONS		MATERIAL NO. SEE CHART	DOCUMENT NO. SDA-90075	SHEET NO. 1 OF 2
	THIS DRAWING CONTAINS INFORMATION THAT IS PROPRIETARY TO MOLEX INCORPORATED AND SHOULD NOT BE USED WITHOUT WRITTEN PERMISSION				
	MOLEX MOLEX INCORPORATED				

9 8 7 6 5 4 3 2 1