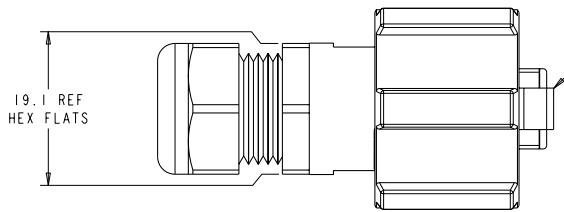
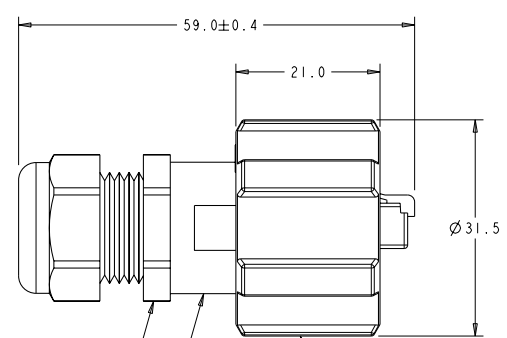


REVOLUTIONS		DATE	BY	APP'D
A	RELEASED	17JUN05	DF	SH
B	REVISED ECO-05-013549	25JAN2006	SW	GS
C	REVISED PER ECO-08-013256	28MAY2008	SS	MS
-	-	-	-	-



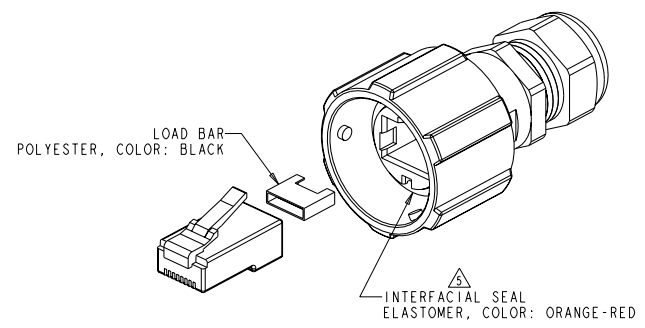
MODULAR PLUG ASSEMBLY
 RJ-45, 8 POSITION-SEE TABULATION BELOW
 HOUSING - CLEAR POLYCARBONATE
 CONTACTS - PHOSPHOR BRONZE, GOLD OVER NICKEL
 SHIELD - COPPER ALLOY W/ SEMI-BRIGHT NICKEL PLATE (-3 & -4 ONLY)



△ CABLE FITTING AND ELASTOMER
 POLYAMIDE
 COLOR: BLACK

△ PLUG HOUSING
 POLYESTER, COLOR: BLACK

COUPLING RING
 POLYESTER, COLOR: BLACK



SCALE 2:1

- △ CABLE DIAMETER RANGE, 4.6 mm TO 7.9 mm, CABLE FITTING ONLY, SEE APPLICATION SPECIFICATION FOR PLUG TERMINATION INFORMATION
- 2. THIS PRODUCT HAS NOT COMPLETED VALIDATION TESTING.
- 3. PARTS PACKAGED UNASSEMBLED IN POLYBAG.
- △ GEOMETRY CAN VARY.
- △ ELASTOMER SEAL IS SECURED TO HOUSING WITH ADHESIVE.

DESCRIPTION	CONDUCTOR TYPE	PART NUMBER
SHIELDED	24-26 AWG STRANDED	1738607-4
	24-26 AWG SOLID	1738607-3
UNSHIELDED	24 AWG STRANDED	1738607-2
	24 AWG SOLID	1738607-1

DIMENSIONS: mm		DWG: R.L. KOLLER 25MAR04 CHK: LANDIS 26MAR04 APP: S. BEAVER 17JUN05 PRODUCT SPEC: 108-2198 APPLICATION SPEC: 114-13136 MATERIAL: - FINISH: -	NAME: PLUG ASSEMBLY INDUSTRIAL CIRCULAR ETHERNET CONNECTOR SHEET: A2 CASE CODE: 00779 DRAWING NO: 1738607	Tyco Electronics Harrisburg, PA 17105-3608
TO: BRANDS DIVISION OPERATIVE SPECIFICS:		WEIGHT: - CUSTOMER DRAWING	RESTRICTED TO: - SCALE: 5:2 SHEET: 1 OF 1 REV: C	