

DRAWING MADE IN THIRD ANGLE PROJECTION

3

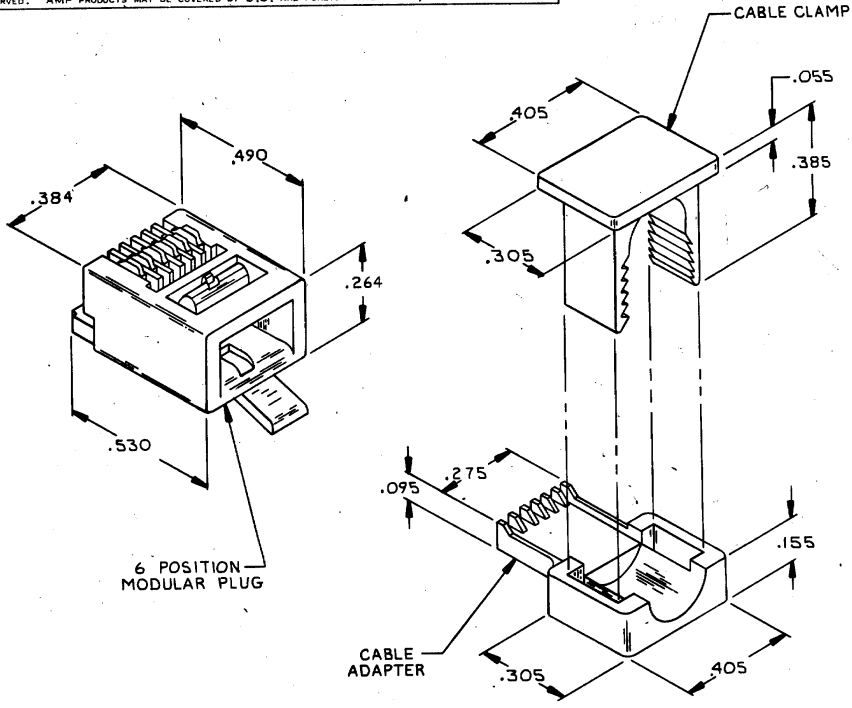
2

1

LOC DIST
AA 02/2

THIS DRAWING IS UNPUBLISHED. RELEASED FOR PUBLICATION 19
 © COPYRIGHT 19 BY AMP INCORPORATED, HARRISBURG, PA. ALL INTERNATIONAL RIGHTS RESERVED. AMP PRODUCTS MAY BE COVERED BY U.S. AND FOREIGN PATENTS AND/OR PATENTS PENDING.

P		F		L		R		REVISIONS		DATE	APPROVED
0	0	0	0	0	0	0	0	RLSD; NPI C84-169	8/14/84	C9	TE



1. ALL DIMENSIONS SHOWN ARE MAXIMUM UNLESS OTHERWISE SPECIFIED.
2. MATERIAL: CABLE CLAMP & ADAPTER - NYLON, TYPE 6/6, BLACK. MODULAR PLUG - POLYCARBONATE, CLEAR.
3. RECOMMENDED CABLE RANGE: .150-.250 O.D.

1000	554603-2
100	554603-1
REQUIRED/BOX	PART NO

UNLESS OTHERWISE SPECIFIED DIMENSIONS ARE IN INCHES. TOLERANCES ON: DECIMALS ± = ANGLES ± =	CONTRACT NO	AMP AMP INCORPORATED Harrisburg, Pa. 17105	
	DR	NAME	
	CHK	MODULAR PLUG KIT, 6 POSITION, WITH ROUND CABLE ADAPTER	
	MATERIAL	FINISH	
APPD	SIZE	FSCM NO	DRAWING NO
APPD	C	00779	554603
APPD	SCALE 4:1		SHEET 1 OF 1

CUSTOMER DRAWING

554603

AMP 1471-7