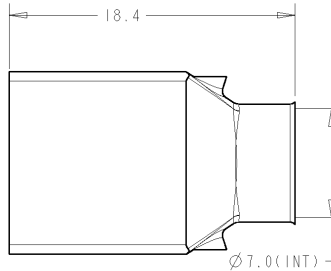
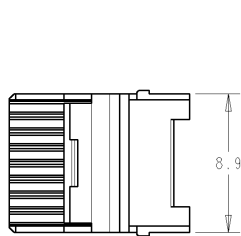
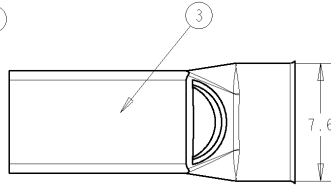
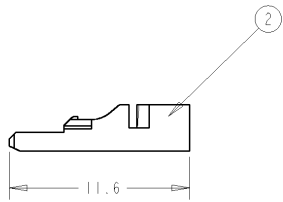
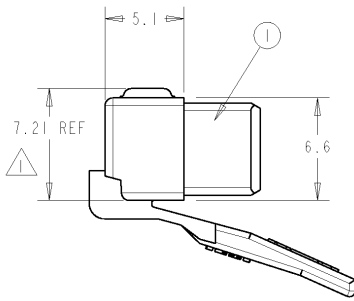


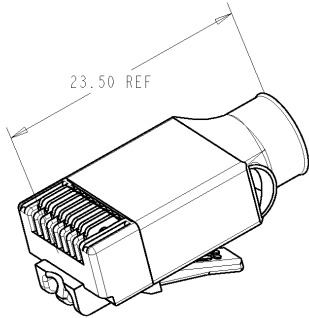
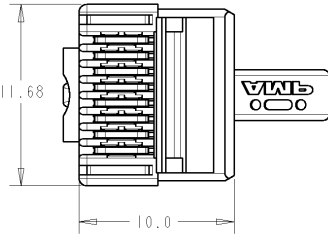
THIS DRAWING IS UNPUBLISHED. RELEASED FOR PUBLICATION 2008  
 © COPYRIGHT 2008 BY TYCO ELECTRONICS CORPORATION. ALL RIGHTS RESERVED.

LOC 1K DIST 2

REVISIONS					
P	LTR	DESCRIPTION	DATE	DWN	APVD
B	I	ES00-0073-03	01SEP03	RS	JL
C		REVISED	02JUL06	JG	RS
D		Ni: 1.27 was 2.00. Added note 6	22OCT2008	LD	JS



- 1 TERMINATED DIMENSION: 6.02±0.13
- 2 PACKAGING:  
1000 SUB-ASSEMBLIES,  
1000 WIRE HOLDERS AND  
1000 SHIELDS PER CARTON
- 3. CABLE RANGE:  
-4 TWISTED PAIRS  
-CABLE JACKET DIAMETER: FROM 6.0 TO 7.0  
-SHIELDING: FOIL AND/OR BRAID  
-24/26 AWG STRANDED WIRE  
-INSULATION DIAMETER: FROM 0.8 TO 1.0
- 4 1.27 MICRONS MINIMUM THICK GOLD IN LOCALIZED GOLD PLATE AREA, GOLD FLASH ON THE REMAINDER OVER 1.27 MICRONS MINIMUM THICK NICKEL UNDERPLATE.
- 5. MEET SPECIFICATIONS:  
- IEC 60603-7  
- TIA/EIA 568-B.2
- 6. FLAMMABILITY RATING: UL 94V-0



	NICKEL	BRASS	SHIELD	3
2	---	PC	WIRE HOLDER	2
	CONTACT: 4	PC, PH BRONZE	ASSY, 8 POSN, SHIELDED, ROUND CABLE, MOD PLUG	1
-1	FINISH	MATERIAL	DESCRIPTION	ITEM

<small>THIS DRAWING IS A CONTROLLED DOCUMENT FOR TYCO ELECTRONICS CORPORATION. IT IS SUBJECT TO CHANGE AND THE CONTROLLING ENGINEERING DEPARTMENT SHOULD BE CONTACTED FOR THE LATEST REVISION.</small>		DWN 22OCT08 L. de Dios CHK A 22OCT08 APVD A Puell 22OCT08 I Sanabria	<b>Tyco Electronics</b> Tyco Electronics AMP España, S.A. Barcelona, Spain.
DIMENSIONS: mm	TOLERANCES UNLESS OTHERWISE SPECIFIED: 0 PLC ± 1 PLC ±0.2 2 PLC ±0.2 3 PLC ± 4 PLC ± ANGLES ±	NAME KIT, 8P, SHLD, THICK RND CABLE, MOD PLUG PRODUCT SPEC 108-19102 APPLICATION SPEC 114-22008 WEIGHT -	SIZE A3 CAGE CODE 00779 DRAWING NO C-336462 RESTRICTED TO -
MATERIAL SEE TABLE	FINISH SEE TABLE	CUSTOMER DRAWING	SCALE 2:1 SHEET 1 OF 1 REV D

AMP 1470-19 REV 31MAR2000

Proj/ENGINEER DRAWING