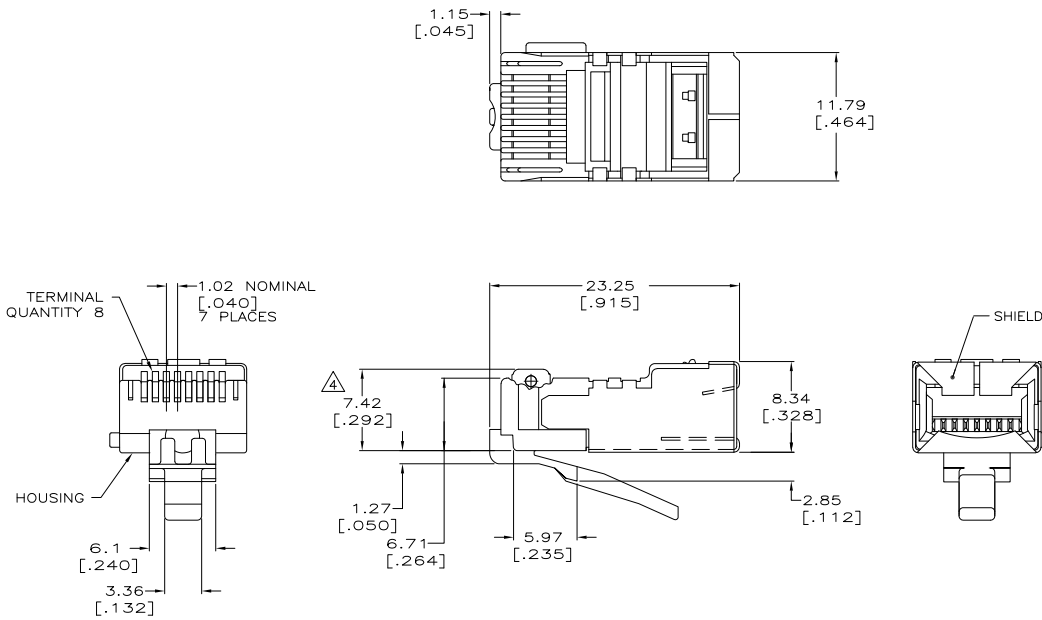


THIS DRAWING IS UNPUBLISHED. RELEASED FOR PUBLICATION.
 © COPYRIGHT BY TYCO ELECTRONICS CORPORATION. ALL INTERNATIONAL RIGHTS RESERVED.

LOC	DIST	REVISIONS				
HM	00	F LTR	DESCRIPTION	DATE	BY	APP'D
		C	REV ECO-06-022160	30OCT06	LH	CD
		D	REV ECO-09-020340	17SEP09	LH	BM

- ⚠ DIMENSIONS ARE MAXIMUM UNLESS OTHERWISE SPECIFIED.
- ⚠ MATERIAL: HOUSING-POLYCARBONATE, CLEAR TERMINAL- PHOSPHOR BRONZE, PLATED WITH 1.27μm [.000050] MINIMUM THICK GOLD IN LOCALIZED GOLD PLATE AREA, GOLD FLASH OVER THE REMAINDER, OVER 2.54μm [.000100] MINIMUM THICK NICKEL UNDERPLATE. SHIELD - COPPER ALLOY WITH 1.27μm [.000050] MINIMUM SEMI-BRIGHT (SATIN) NICKEL.
- 3. PLUG WILL ACCEPT 24 TO 28 AWG STRANDED WIRE, 0.74-0.99 [.029-.039] DIAMETER, WITH A 5.08 [.200] DIAMETER MAXIMUM JACKET.
- ⚠ 4. TERMINATED DIMENSION 6.15 [.242] MAXIMUM.
- ⚠ 5. 500 ASSEMBLIES PER PACKAGE.
- ⚠ 6. 100 ASSEMBLIES PER PACKAGE.
- ⚠ 7. 25 ASSEMBLIES PER PACKAGE.



⚠	5-569533-4
⚠	5-569533-3
⚠	5-569533-2
PACKAGED	PART NUMBER

THIS DRAWING IS A CONTROLLED DOCUMENT.		DWG	L. HALL	26OCT2006	Tyco Electronics Corporation Harrisburg, PA 17105-3608
DIMENSIONS: mm [INCHES]		CHK	C. DOOLEY	30OCT2006	
TOLERANCES UNLESS OTHERWISE SPECIFIED:		APP'D	C. DOOLEY	30OCT2006	NAME
0 PLG	± .005	PRODUCT SPEC:		108-1163	MODULAR PLUG ASSEMBLY,
1 PLG	± .005	APPLICATION SPEC:		114-6016	KEYED, 8 POSITION, SHIELDED,
2 PLG	± .005	MATERIAL:		-	ROUND CABLE, STRANDED WIRE
3 PLG	± .005	FINISH:		-	RESTRICTED TO
4 PLG	± .005	CUSTOMER DRAWING		A2	00779 C=569533
ANGLES	± .005	SCALE		4:1	SHEET 1 of 1
		REV		D	